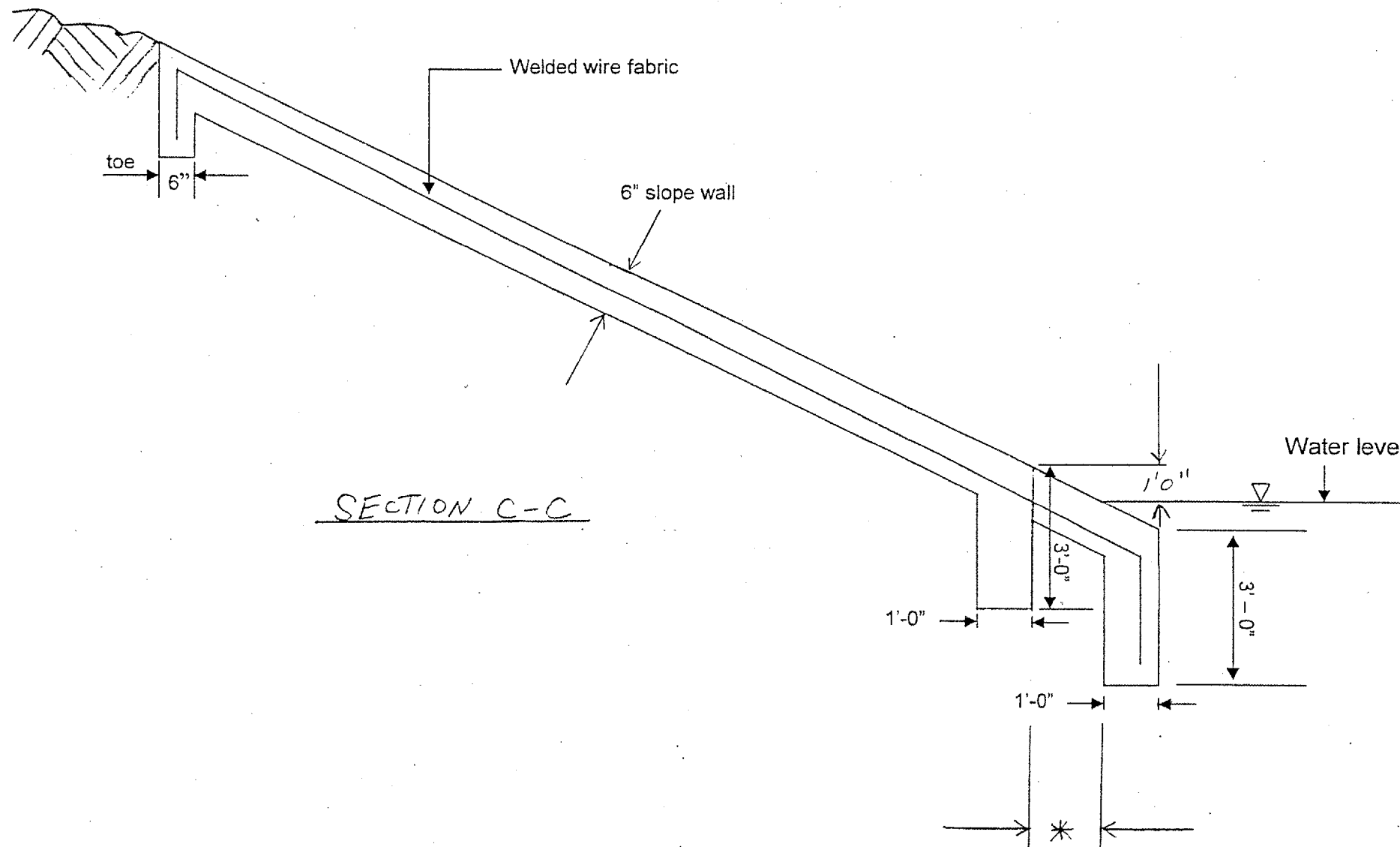


ROUTE	SECTION	COUNTY	TOTAL SHEETS	SHEET NUMBER
FAI 80	99-4-B-1-I	WILL	9	8

CONTRACT NO. 62862



\* IF A VOID EXISTS IN THIS AREA, IT WILL BE FILLED WITH POUROUS GRANULAR EMBANKMENT OR OTHER ACCEPTABLE MATERIAL APPROVED BY THE ENGINEER AND WILL BE PAID FOR ACCORDING TO ARTICLE 109.04

ILLINOIS DEPARTMENT OF TRANSPORTATION

SLOPEWALL  
CROSS SECTION