

NOTES FOR TEMPORARY TRAFFIC SIGNALS

1. ALL CONTROL EQUIPMENT INCLUDING EMERGENCY PRE-EMPTION AND COMMUNICATION DEVICES FOR THE TEMPORARY TRAFFIC SIGNAL(S) SHALL BE FURNISHED BY THE CONTRACTOR.
2. ONLY CONTROLLERS SUPPLIED BY ONE OF THE DISTRICT APPROVED CLOSED LOOP EQUIPMENT MANUFACTURERS WILL BE APPROVED FOR USE AT TEMPORARY SIGNAL LOCATIONS. ALL CONTROLLERS USED FOR TEMPORARY TRAFFIC SIGNALS SHALL BE FULLY ACTUATED NEMA MICROPROCESSOR BASED WITH RS232 DATA ENTRY PORTS COMPATIBLE WITH EXISTING MONITORING SOFTWARE APPROVED BY IDOT DISTRICT 1. INSTALLED IN A NEMA TS1 OR TS2 CABINET. ONLY ONE BRAND OF CONTROLLER WILL BE ACCEPTED FOR ANY ONE CONTRACT.
3. ALL TRAFFIC SIGNAL SECTIONS AND PEDESTRIAN SIGNAL SECTIONS SHALL BE 12". HEADS SHALL BE PLACED AS INDICATED ON THE TEMPORARY TRAFFIC SIGNAL PLAN OR AS DIRECTED BY THE ENGINEER. THE CONTRACTOR SHALL FURNISH ENOUGH CABLE SLACK TO RELOCATE HEADS TO ANY POSITION ON THE SPAN WIRE OR AT LOCATIONS ILLUSTRATED ON THE PLANS FOR CONSTRUCTION STAGING. THE TEMPORARY TRAFFIC SIGNAL SHALL REMAIN IN OPERATION DURING ALL SIGNAL HEAD RELOCATIONS. EACH TEMPORARY TRAFFIC SIGNAL HEAD SHALL HAVE ITS OWN CABLE FROM THE CONTROLLER CABINET TO THE SIGNAL HEAD.
4. ALL EXISTING STREET NAME AND INTERSECTION REGULATORY SIGNS SHALL BE REMOVED FROM EXISTING POLES, RELOCATED AND SECURELY FASTENED TO THE SIGNAL SPAN WIRE OR WOOD POLE AS DIRECTED BY THE ENGINEER.
5. ANY TEMPORARY SIGNAL WITHIN AN EXISTING CLOSED LOOP TRAFFIC SIGNAL SYSTEM SHALL BE INTERCONNECTED TO THAT SYSTEM USING SIMILAR BRAND CONTROL EQUIPMENT.
6. THE TEMPORARY TRAFFIC SIGNAL SHALL HAVE THE SIGNAL HEAD DISPLAYS, SIGNAL HEAD PLACEMENTS AND CONTROLLER PHASING MATCH THE EXISTING TRAFFIC SIGNAL, AT THE TIME OF THE TURN ON, IF NO TRAFFIC STAGING IS IN PLACE OR WILL NOT BE STAGED ON THE DAY OF THE TURN ON.

THE FOLLOWING EXISTING TRAFFIC SIGNAL EQUIPMENT SHALL BE REMOVED BY THE CONTRACTOR, SHALL REMAIN THE PROPERTY OF THE STATE AND SHALL BE DELIVERED BY THE CONTRACTOR TO THE STATE'S TRAFFIC SIGNAL MAINTENANCE CONTRACTOR'S MAIN FACILITY AS PER THE TRAFFIC SIGNAL SPECIFICATIONS.

1 EACH CONTROLLER & CABINET COMPLETE

THE FOLLOWING ITEMS SHALL BE REMOVED BY THE CONTRACTOR AND SHALL BE DISPOSED OF BY THEM OUTSIDE THE RIGHT-OF-WAY AT THEIR EXPENSE. THE SALVAGE VALUE OF THE REMOVED EQUIPMENT SHALL BE REFLECTED IN THE CONTRACTOR'S BID PRICE.

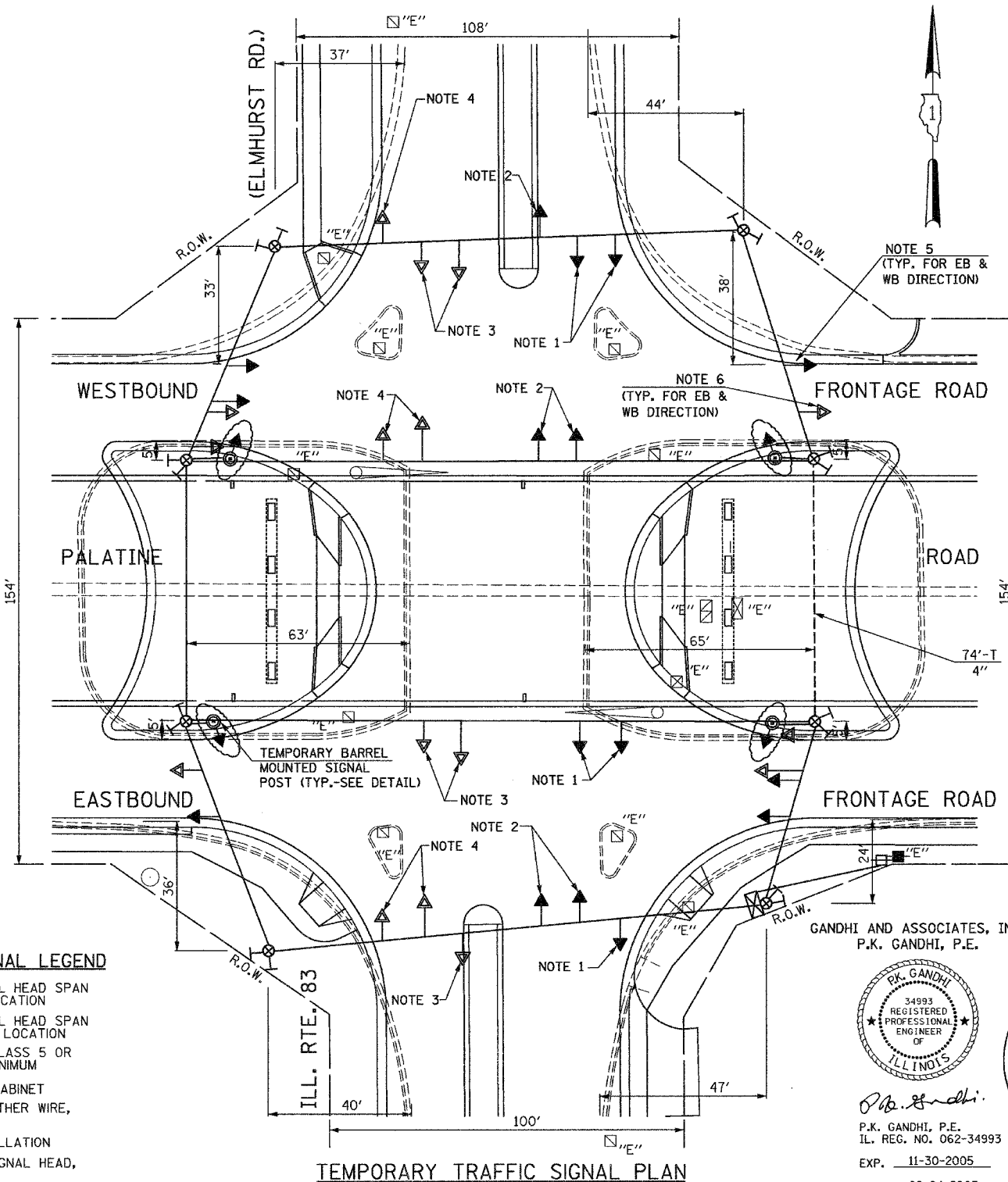
- 6 EACH SIGNAL HEAD, 1-FACE, 3-SECTION, 12" RED
- 6 EACH SIGNAL HEAD, 1-FACE, 4-SECTION, ALL 12"
- 2 EACH SIGNAL HEAD, 2-FACE, 3-SECTION, ALL 12"
- 2 EACH SIGNAL HEAD, 1-FACE, 4-SECTION, ALL 12", MAST ARM MOUNTED
- 2 EACH MAST ARM ASSEMBLY AND POLE
- 1 EACH SERVICE INSTALLATION
- 6 EACH TRAFFIC SIGNAL POST

CONSTRUCTION NOTES:

1. THE ORIGINAL SIGNAL HEAD PLACEMENT INDICATED WITH NOTE 1 FOR NORTHBOUND DIRECTION OF TRAVEL IS FOR CONSTRUCTION STAGES 1B, 2A, AND 3.
2. THE ORIGINAL SIGNAL HEAD PLACEMENT INDICATED WITH NOTE 2 FOR SOUTHBOUND DIRECTION OF TRAVEL IS FOR CONSTRUCTION STAGES 1B AND 2A.
3. THE SECONDARY SIGNAL HEAD PLACEMENT INDICATED WITH NOTE 3 FOR NORTHBOUND DIRECTION OF TRAVEL IS FOR CONSTRUCTION STAGE 2B.
4. THE SECONDARY SIGNAL HEAD PLACEMENT INDICATED WITH NOTE 4 FOR SOUTHBOUND DIRECTION OF TRAVEL IS FOR CONSTRUCTION STAGES 2B AND 3.
5. THE ORIGINAL SIGNAL HEAD PLACEMENT INDICATED WITH NOTE 5 FOR EASTBOUND AND WESTBOUND DIRECTION OF TRAVEL IS FOR CONSTRUCTION STAGES 1B AND 2B.
6. THE SECONDARY SIGNAL HEAD PLACEMENT INDICATED WITH NOTE 6 FOR EASTBOUND AND WESTBOUND DIRECTION OF TRAVEL IS FOR CONSTRUCTION STAGES 2A AND 3.

TEMPORARY TRAFFIC SIGNAL LEGEND

- ← TEMPORARY TRAFFIC SIGNAL HEAD SPAN WIRE MOUNTED ORIGINAL LOCATION
- ↔ TEMPORARY TRAFFIC SIGNAL HEAD SPAN WIRE MOUNTED SECONDARY LOCATION
- ⊗ TEMPORARY WOOD POLE (CLASS 5 OR BETTER) 45 FOOT (13.7m) MINIMUM
- ⊠ TEMPORARY CONTROLLER CABINET
- TEMPORARY SPAN WIRE, TETHER WIRE, AND CABLE
- ⊞ TEMPORARY SERVICE INSTALLATION
- ⊞ TEMPORARY PEDESTRIAN SIGNAL HEAD, BRACKET MOUNTED
- MICROWAVE VEHICLE SENSOR
- ⊙ PEDESTRIAN PUSHBUTTON DETECTOR
- ⊗ EMERGENCY VEHICLE LIGHT DETECTOR
- ⊞ CONFIRMATION BEACON
- ⊞ VEHICLE DETECTOR, INDUCTION LOOP
- CT COMMON TRENCH
- UD UNIT DUCT
- G.S. CONDUIT IN GROUND
- ⊞ HANDHOLE
- ⊞ HEAVY DUTY HANDHOLE
- ⊞ TEMPORARY BARREL MOUNTED SIGNAL POST



DURING CONSTRUCTION STAGE 1A THE EASTBOUND AND WESTBOUND FRONTAGE ROADS SHALL FUNCTION AS TWO SEPARATE "TEE" INTERSECTIONS WITH STOP SIGN CONTROL ON ILL. RTE. 83 (ELMHURST ROAD) APPROACH AT BOTH INTERSECTIONS. THE "TEMPORARY TRAFFIC SIGNAL INSTALLATION" SHALL, HOWEVER, BE IN PLACE FOR USE DURING SUBSEQUENT CONSTRUCTION STAGES.

THE SPAN WIRES, TETHER WIRES, CABLES, SIGNAL HEADS, ETC. ADJACENT TO THE BRIDGE, FACING THE NORTHBOUND AND SOUTHBOUND TRAFFIC, SHALL BE TAKEN DOWN FOR INSTALLATION OF BRIDGE GIRDERS (ANTICIPATED IN CONSTRUCTION STAGE 1B) FOR SHORTEST TIME DURATION POSSIBLE. THE SIGNAL HEADS SHALL BE SET BACK UP IN A WORKING CONDITION UPON COMPLETION OF THE GIRDER PLACEMENT. THE COST OF THIS WORK SHALL BE INCLUDED IN THE PAY ITEM "TEMPORARY TRAFFIC SIGNAL INSTALLATION" AND NO EXTRA COMPENSATION SHALL BE ALLOWED FOR THE SAME. THIS WORK SHALL BE PERFORMED AS SHOWN IN THE PLANS AND AS DIRECTED BY THE ENGINEER.

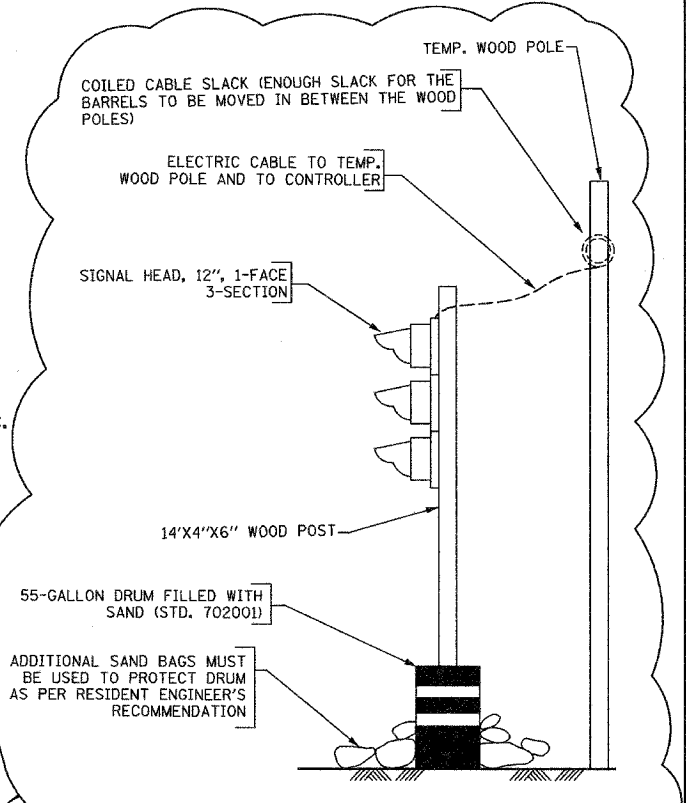
GANDHI AND ASSOCIATES, INC.
P.K. GANDHI, P.E.



P.K. GANDHI, P.E.
IL. REG. NO. 062-34993
EXP. 11-30-2005
DATE 02-04-2005

EXISTING EQUIPMENT TO BE REMOVED LEGEND

- ← EXISTING SIGNAL TO BE REMOVED
- ⊞ "E" EXISTING SERVICE INSTALLATION TO BE REMOVED
- ⊞ EXISTING SIGNAL POST AND FOUNDATION TO BE REMOVED
- ⊞ EXISTING MAST ARM POLE AND FOUNDATION TO BE REMOVED
- ⊞ "E" EXISTING CONTROLLER AND FOUNDATION TO BE REMOVED
- ⊞ "E" EXISTING HANDHOLE TO BE REMOVED
- ⊞ "E" EXISTING DOUBLE HANDHOLE TO BE REMOVED
- ⊞ PEDESTRIAN SIGNAL TO BE REMOVED
- ⊞ EXISTING PEDESTRIAN PUSH-BUTTON TO BE REMOVED
- ⊞ EMERGENCY VEHICLE LIGHT DETECTOR TO BE REMOVED
- ⊞ CONFIRMATION BEACON TO BE REMOVED
- ⊞ "E" EXISTING HEAVY DUTY HANDHOLE TO BE REMOVED
- ⊞ EXISTING STEEL MAST ARM POLE AND FOUNDATION TO BE REMOVED



DETAIL OF TEMPORARY BARREL MOUNTED SIGNAL POST
(OPTIONAL AT DISCRETION OF CONTRACTOR WITH APPROVAL FROM RESIDENT ENGINEER.)

REVISIONS	
NAME	DATE
PKG/BB	02/02/05

ILLINOIS DEPARTMENT OF TRANSPORTATION
PALATINE ROAD: ILL 83 (Elmhurst Rd.) TO WISCONSIN CENTRAL RR

TEMPORARY TRAFFIC SIGNAL PLAN
ILLINOIS ROUTE 83 (ELMHURST ROAD) AT EAST AND WESTBOUND FRONTAGE ROADS TO AND FROM PALATINE ROAD

SCALE: 1"=20'
DATE: 11/18/2004

DRAWN BY: JF/BC
DESIGNED BY: PKG/RRM
CHECKED BY: PKG/RRM

