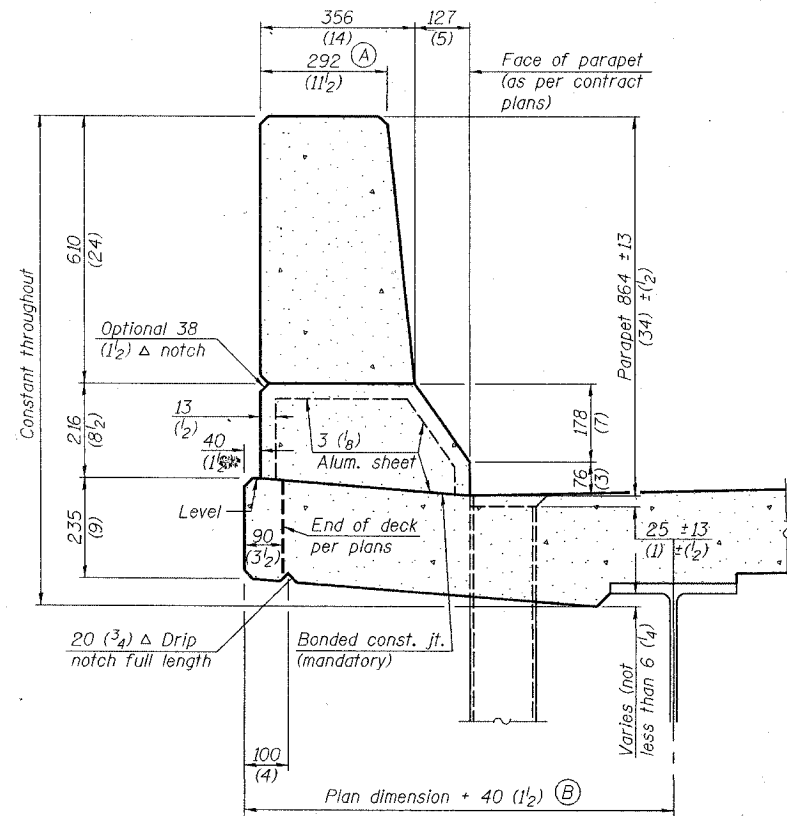


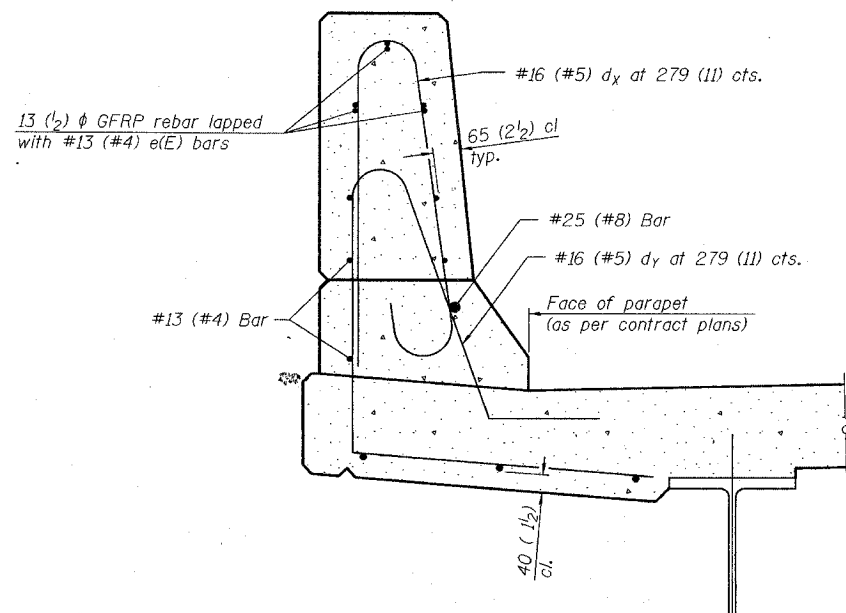
STATE OF ILLINOIS  
DEPARTMENT OF TRANSPORTATION

ROUTE NO.	SECTION	COUNTY	TOTAL SHEETS	SHEET NO.	SHEET NO.
305	1B15-1B	COOK	193	167A	
FED. ROAD DIST. NO. 7		ILLINOIS		FED. AID PROJECT	

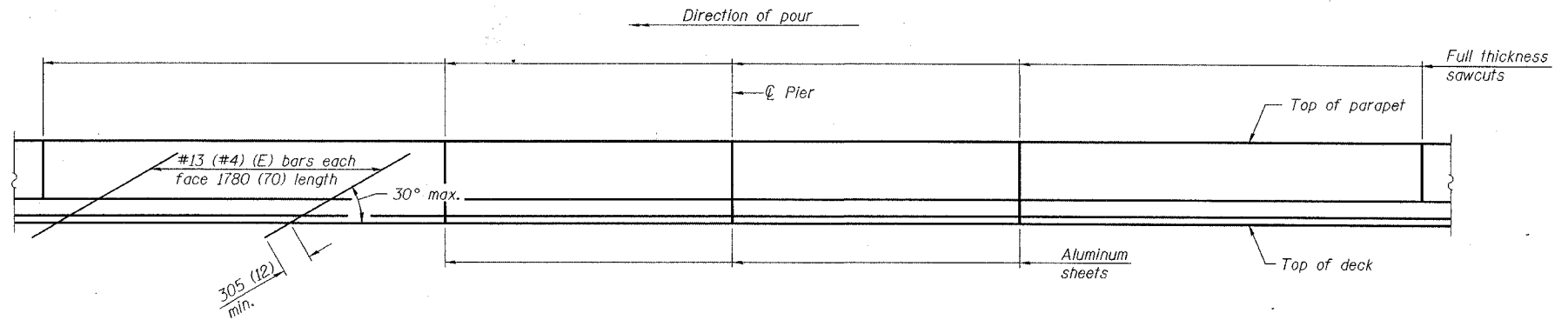
Contract # 6287B



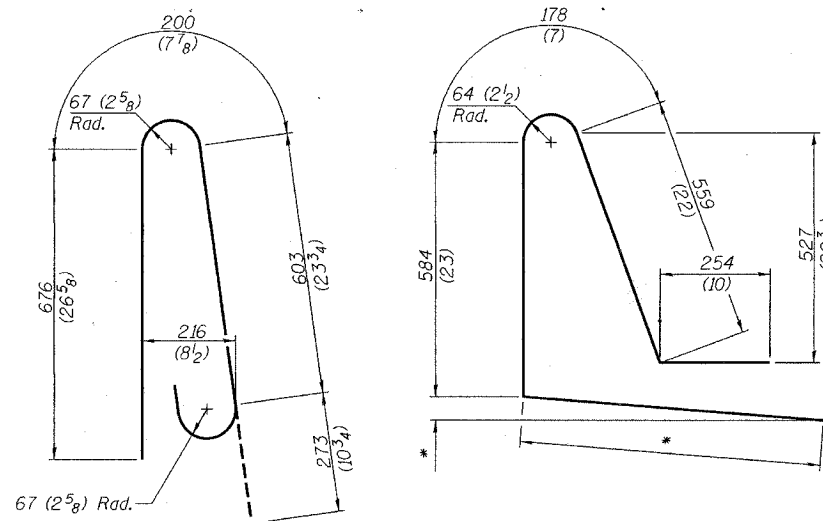
**SECTION**  
(Showing dimensions)



**SECTION**  
(Showing required reinforcement)



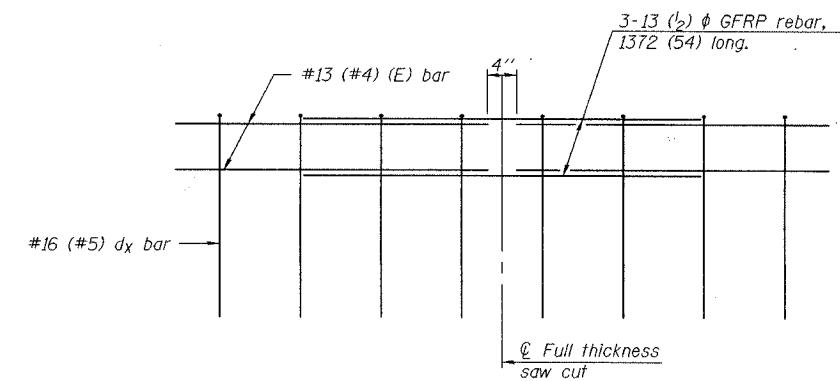
**ELEVATION**  
(Showing parapet joints and typical stiffening reinforcement between joints)



**BAR dx(e)**

**BAR dy(e)**

\* Per contract plans



**GFRP REBAR STIFFENING DETAIL**  
(Place as shown in parapet section)

**GENERAL NOTES**  
All dimensions shall remain the same as shown on contract plans, except dimensions A and B which are to be revised as shown to provide additional clearance. Additional concrete needed to revise dimension A and B = 0.0422 m<sup>3</sup>/m (0.165 cu. yds./ft.) of parapet.  
Place aluminum sheet in curb portion at and near piers. Full thickness saw cut at all other locations. Adjust/add joint locations to maintain 3 to 6 meter (10 to 20 foot) spacing.

**CONCRETE PARAPET  
SLIPFORMING OPTION**