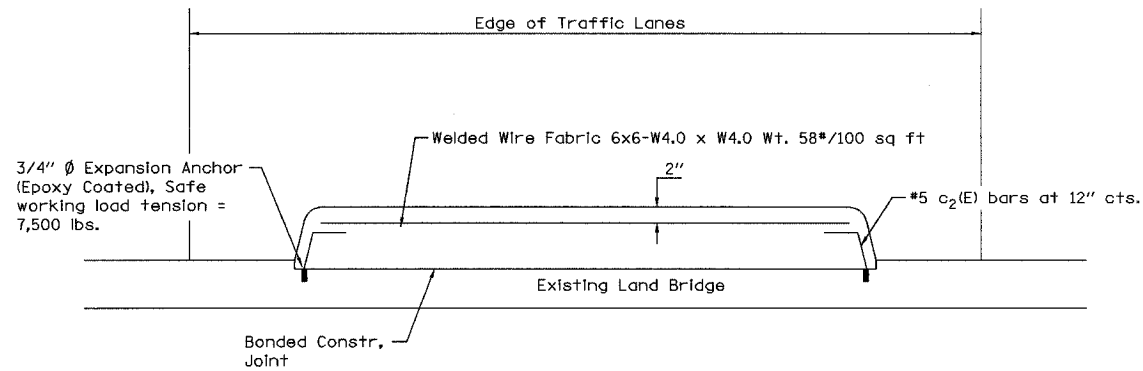
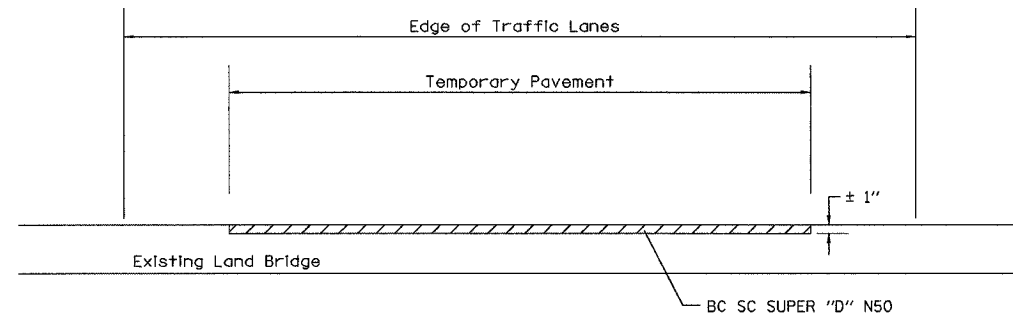


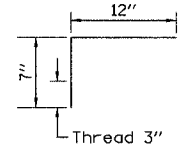
Section A - A

Note: Cut tie bars off at concrete surface before placing bituminous surface cse.



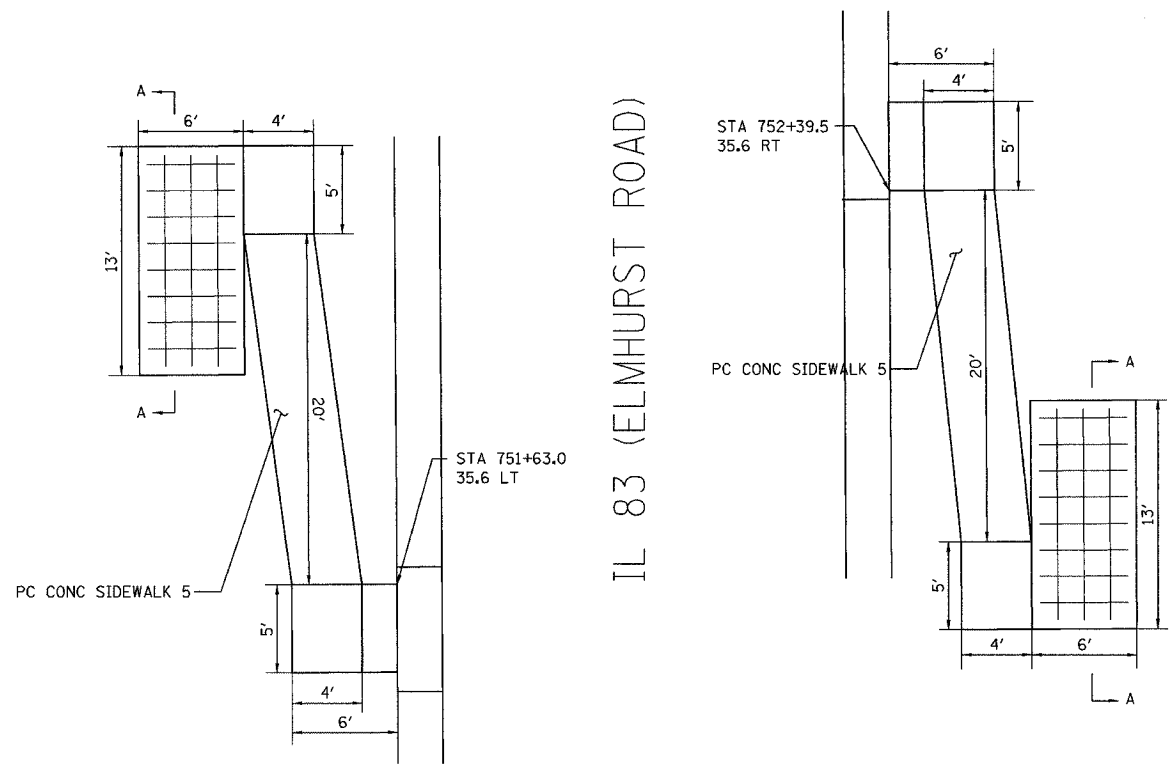
Section B - B

- Note: 1) The cost of removing the existing median, paving the bituminous surface course, removing the bituminous pavement, constructing the proposed median and all incidental work shall be paid for as Median Removal and Replacement, Special.  
 2) Reinforcement bars designated (E) shall be epoxy coated.

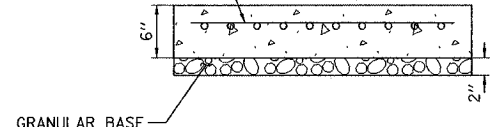


BAR c<sub>2</sub>(E)

MEDIAN REMOVAL AND REPLACEMENT (SPECIAL)  
 "LAND BRIDGE"



6 X 6 - W4 X W4 WELDED WIRE FABRIC



SECTION A-A  
 BUS SHELTER FOUNDATION

BUS SHELTER REMOVE AND RELOCATE

NOTE: PLACE ANCHOR BOLTS TO SECURE SHELTER ON PAD.

REVISIONS	
NAME	DATE

ILLINOIS DEPARTMENT OF TRANSPORTATION  
 PALATINE ROAD OVER IL 83 (ELMHURST RD.)

**ROADWAY DETAILS**

SCALE: NONE  
 DATE 12/04

DRAWN BY ACE/CAD  
 CHECKED BY TAE

**AMERICAN**  
 CONSULTING ENGINEERS

12/22/2004 11:06:50 AM