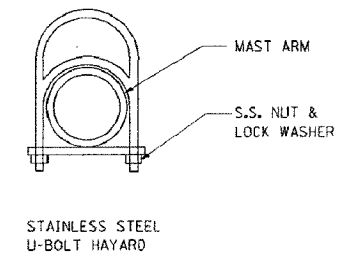
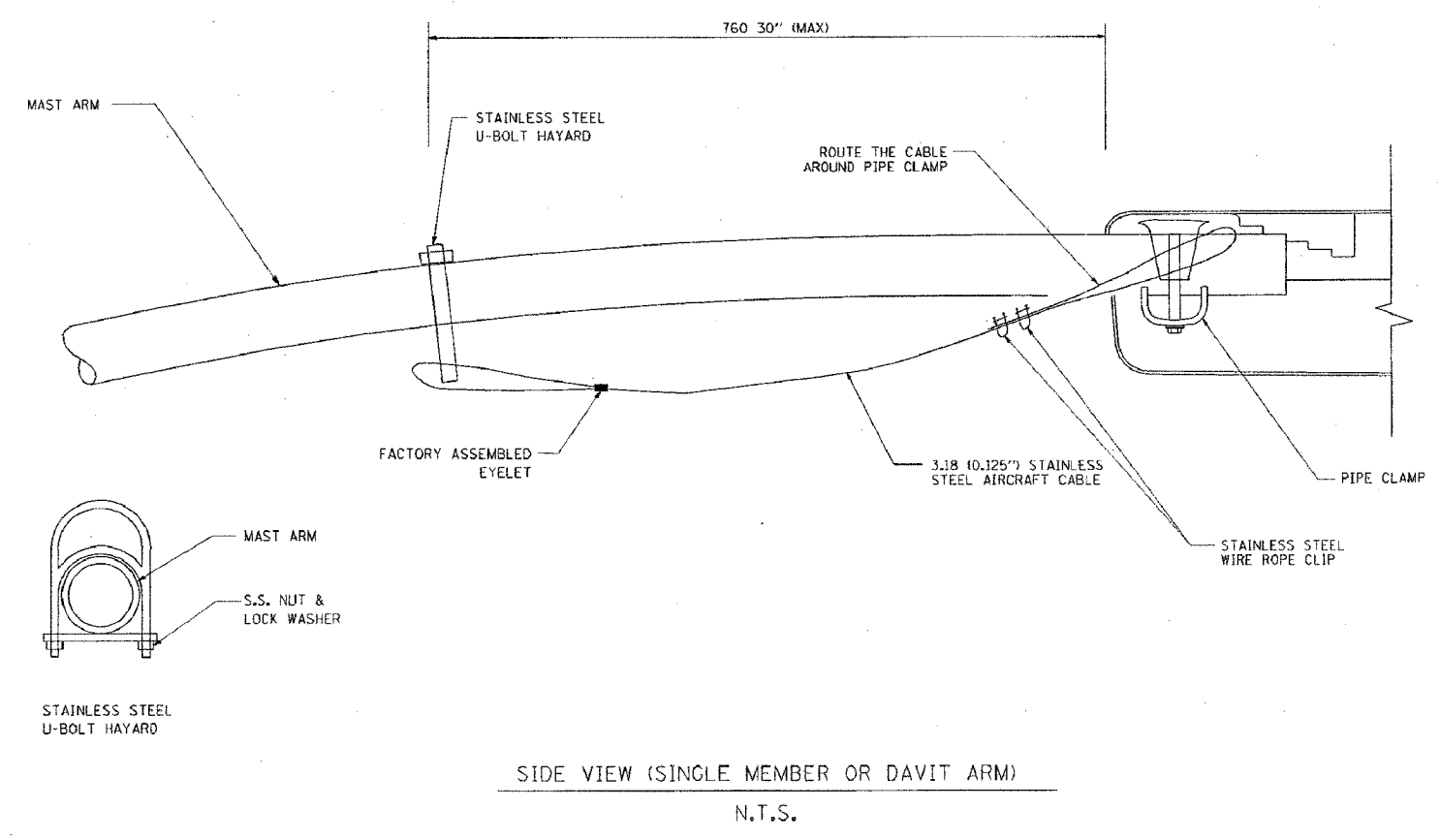
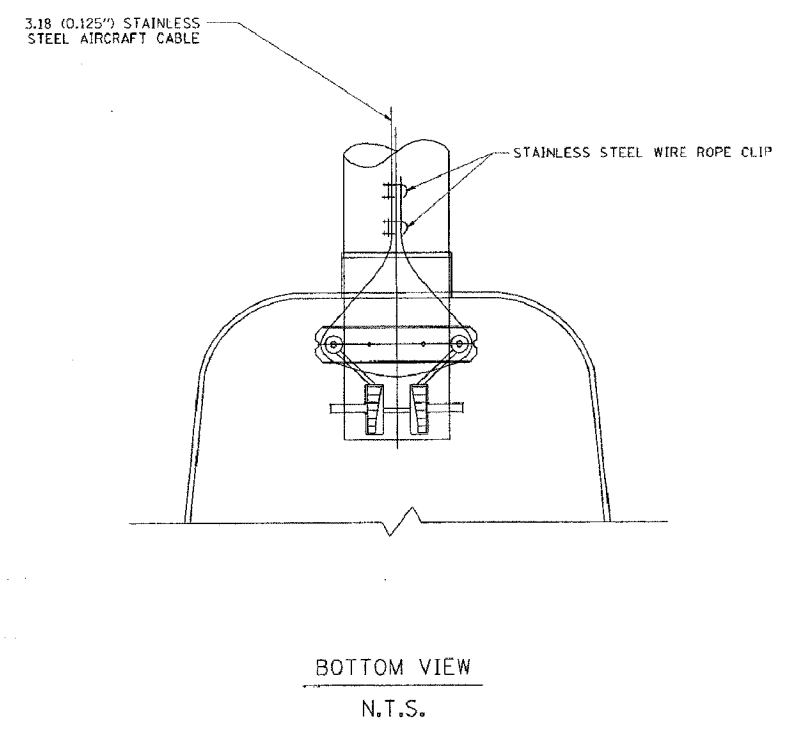
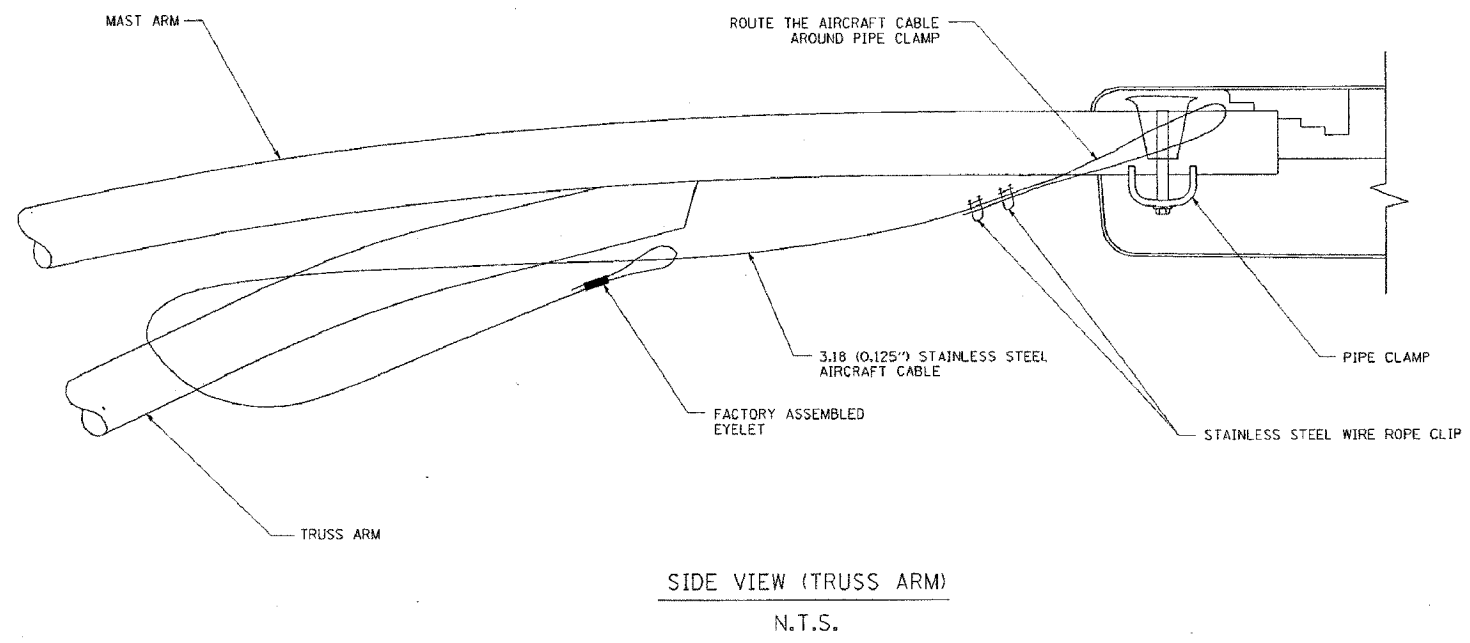


62878

F.A. RT.	SECTION	COUNTY	TOTAL SHEETS	SHEET NO.
			193	110
STA.		TO STA.		
FED. ROAD DIST. NO.		ILLINOIS FED. AID PROJECT		



- NOTES:
1. ALL DIMENSIONS ARE IN MILLIMETERS (INCHES) UNLESS OTHERWISE SHOWN
  2. CONTRACTOR SHALL ADJUST THE WIRE CLIP TO ELIMINATE ANY SLACK FROM THE WIRE ROPE.
  3. THE 3.18 (0.125") STAINLESS STEEL AIRCRAFT CABLE SHALL REMAIN VISIBLE FROM THE GROUND LEVEL
  4. THE BREAKING STRENGTH OF THE CABLE SHALL BE 1700 LBS. MIN

REVISIONS	
NAME	DATE

ILLINOIS DEPARTMENT OF TRANSPORTATION

**LUMINAIRE SAFETY CABLE ASSEMBLY**

SCALE: NONE  
DATE: 05/19/2003

DRAWN BY  
CHECKED BY