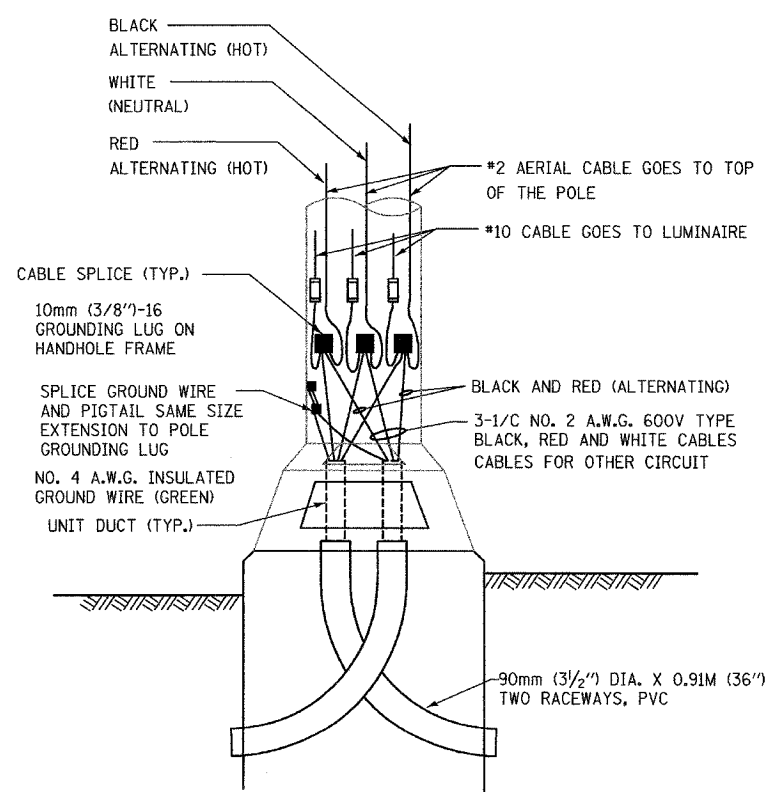
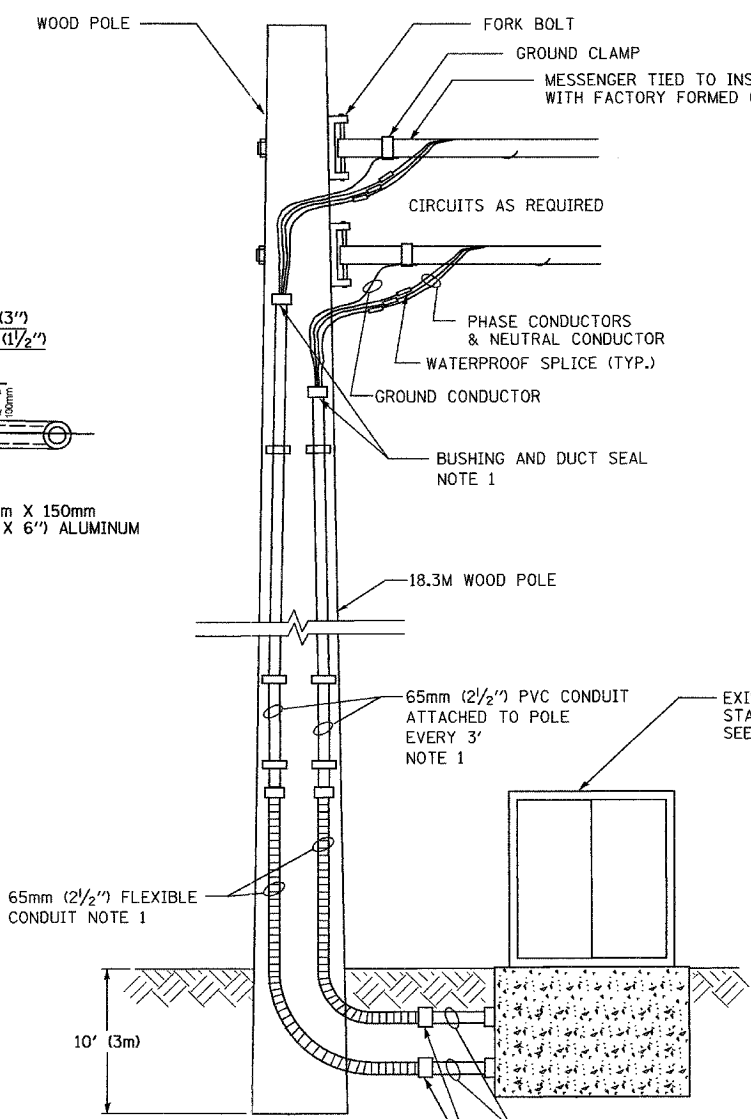


DUPLEX BRACKET DETAIL



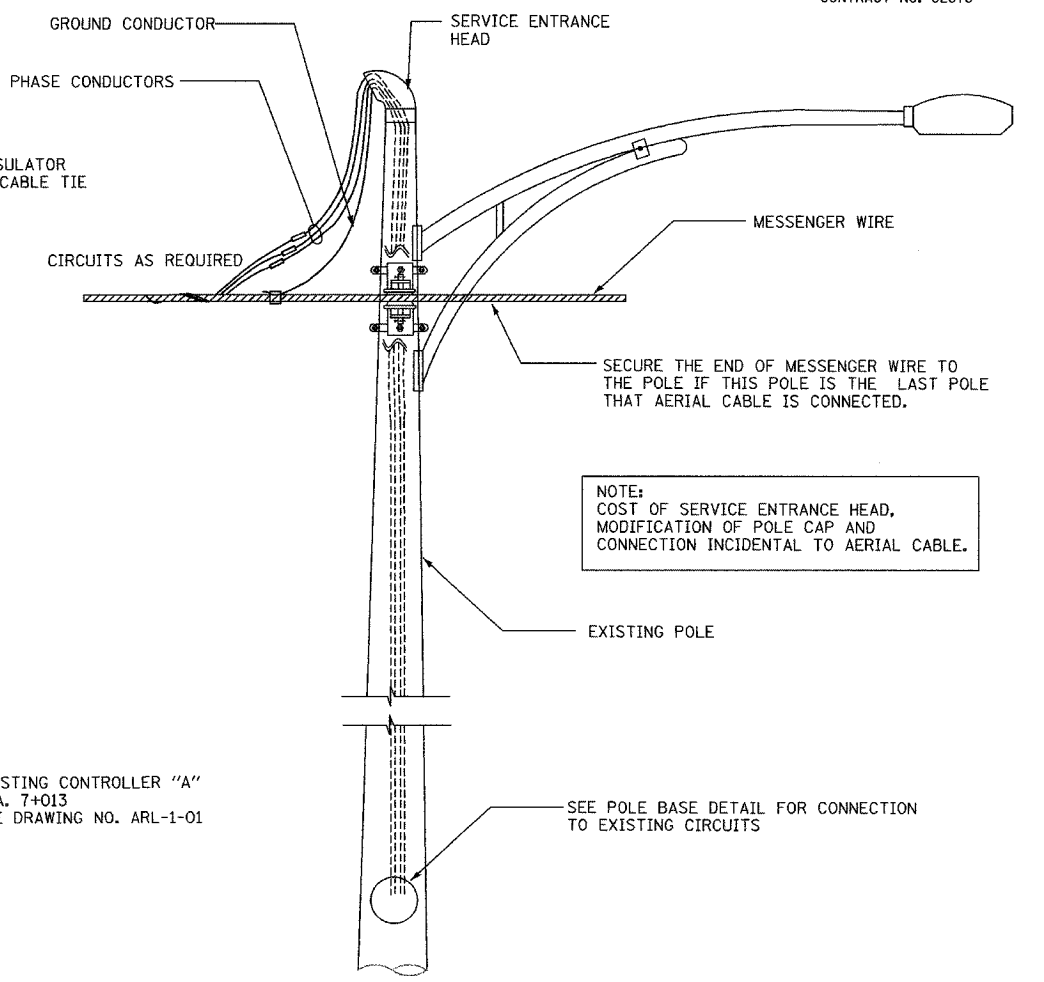
ASSUME THAT REINFORCING STEEL IS ALL INTERCONNECTED VIA TIE WRAPPING OR OTHER SUITABLE MEANS AND CONNECTED TO THE ANCHOR BOLTS

POLE BASE DETAIL



NOTE:
1. ALL MATERIAL AND LABOR SHOWN IN THIS DETAIL SHALL BE INCLUDED IN THE COST OF TEMPORARY WOOD POLE PAY ITEM. NO SEPARATE PAYMENT WILL BE MADE.

CONTROL CABINET MODIFICATION DETAIL
N.T.S.



TEMPORARY AERIAL CABLE CONNECTION TO EXISTING POLE

REVISIONS	
NAME	DATE

ILLINOIS DEPARTMENT OF TRANSPORTATION
PALATINE ROAD OVER IL 83 (ELMHURST RD.)

TEMPORARY LIGHTING DETAILS

SCALE: NONE
DATE: 12/21/2004

DRAWN BY: MAE/KGP
CHECKED BY: PKG/BC

AMERICAN
CONSULTING ENGINEERS