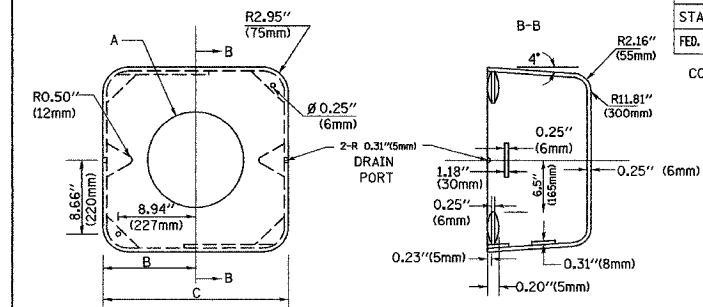


F.A.U. RTE.	SECTION	COUNTY	TOTAL SHEETS	SHEET NO.
305	1313.1 B	COOK	193	119
STA.		TO STA.		
FED. ROAD DIST. NO. 1		ILLINOIS	FED. AID PROJECT	

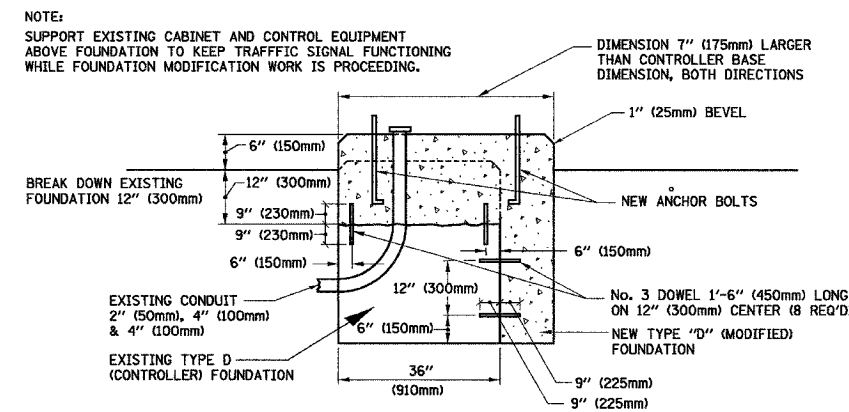
CONTRACT NO. 62878

MATERIAL:  
 - ASTM A48 CLASS 30 GREY IRON  
 - ASTM A123 HOT DIPPED GALVANIZED



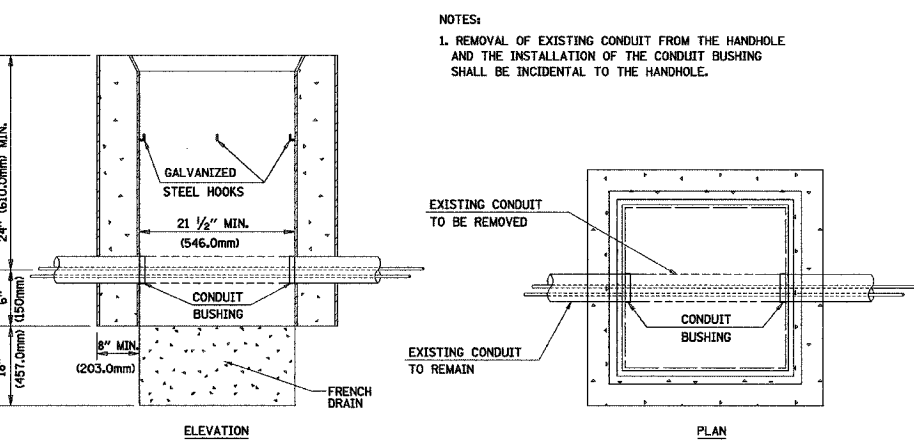
TYPE	A	B	C	HEIGHT	WEIGHT
I	∅ 10.125" (257mm)	9.5" (241mm)	19" (483mm)	12" (300mm)	24kg
II	∅ 11.125" (283mm)	10.75" (273mm)	21.5" (546mm)	12" (300mm)	26kg

SHROUD DETAIL



MODIFY EXISTING TYPE "D" FOUNDATION

(NOT TO SCALE)

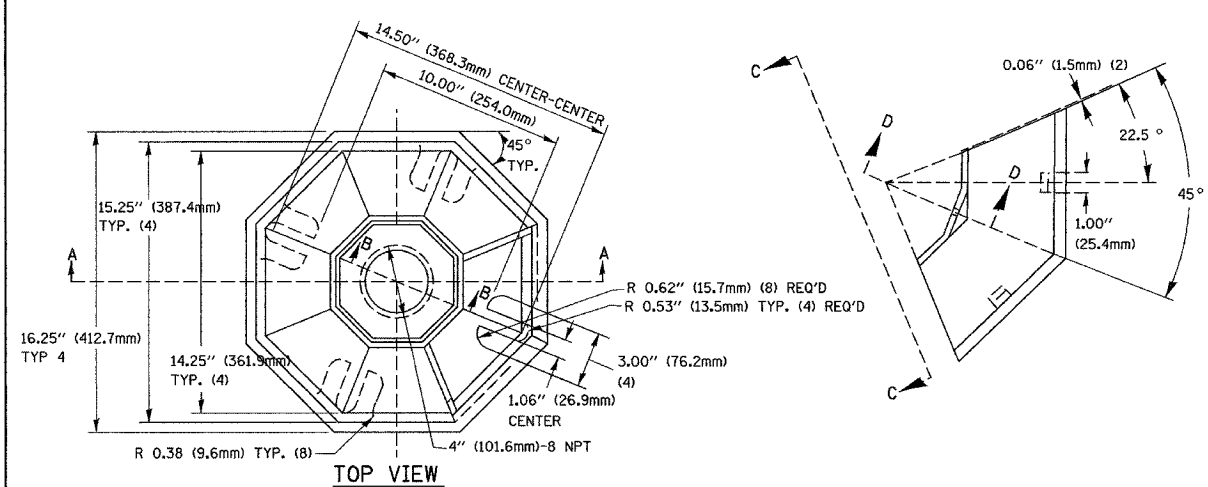


DETAIL HANDHOLE TO INTERCEPT EXISTING CONDUIT N.T.S.

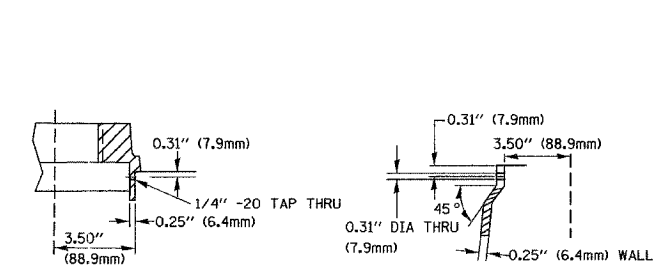
REVISIONS	
NAME	DATE

ILLINOIS DEPARTMENT OF TRANSPORTATION  
 DISTRICT 1  
 STANDARD TRAFFIC SIGNAL DESIGN DETAILS

SCALE: VERT. NONE  
 HORIZ. NONE  
 DATE 1-01-02  
 DRAWN BY: RWP  
 DESIGNED BY: DAD  
 CHECKED BY: DAZ  
 SHEET 4 OF 4

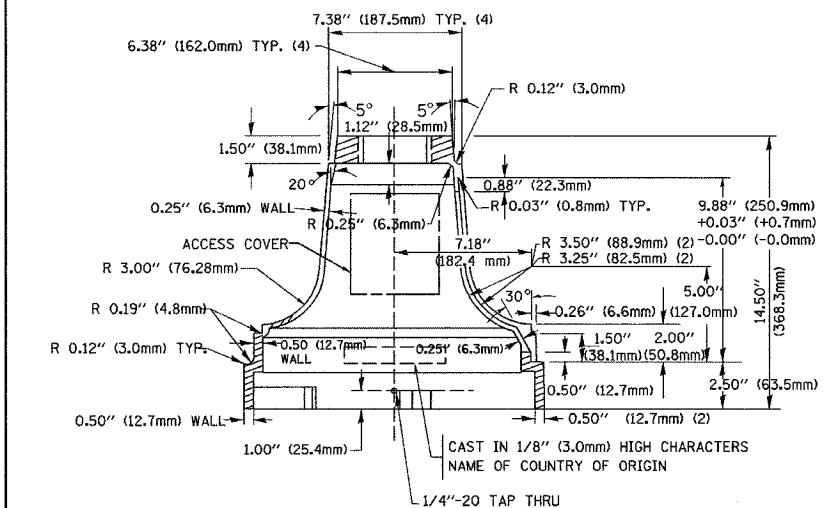


TOP VIEW

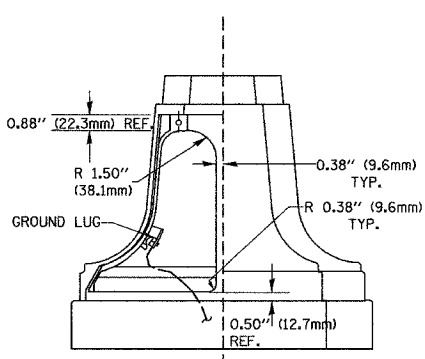


SECTION B-B

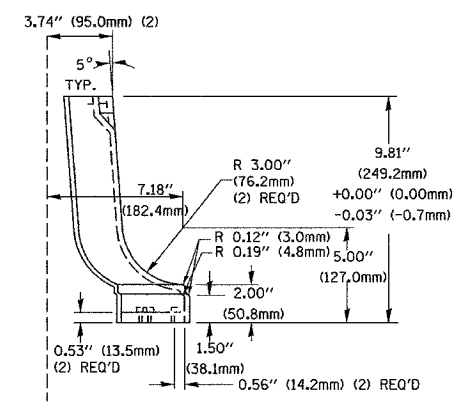
SECTION D-D



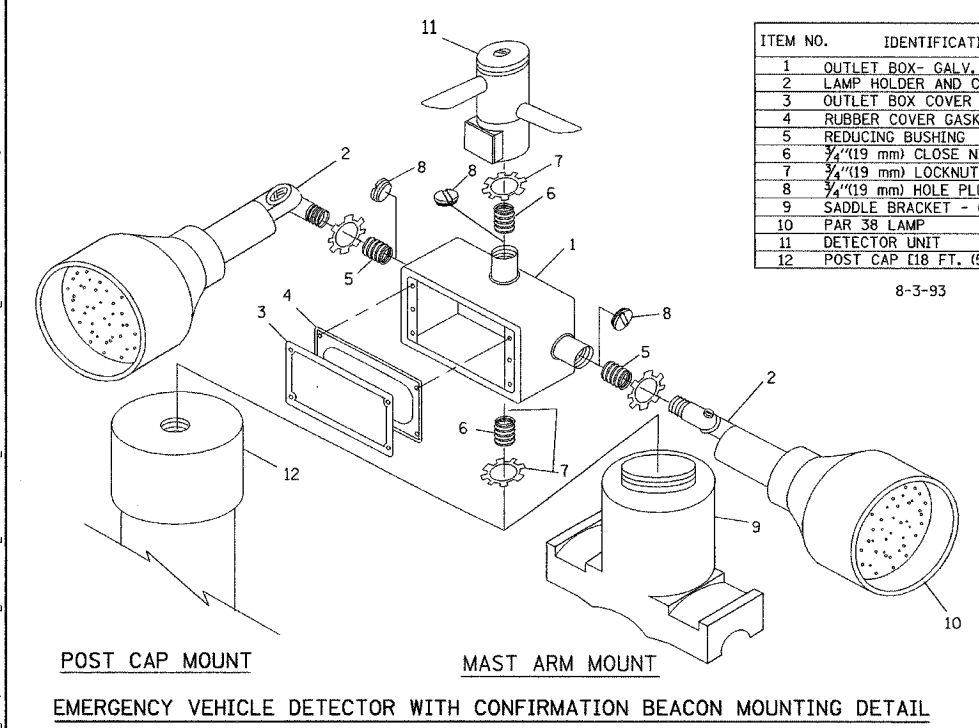
SECTION A-A



VIEW C-C



TRAFFIC SIGNAL POST - MOUNTING BASE - TYPE A



POST CAP MOUNT

MAST ARM MOUNT

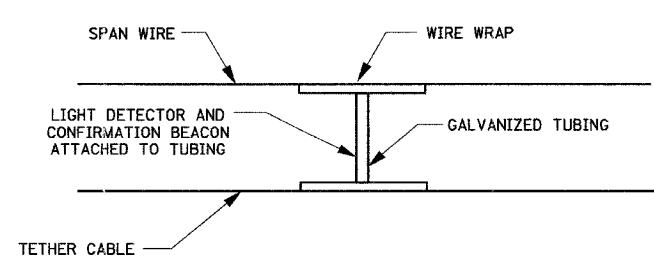
EMERGENCY VEHICLE DETECTOR WITH CONFIRMATION BEACON MOUNTING DETAIL

ITEM NO.	IDENTIFICATION
1	OUTLET BOX - GALV. 21 CU.IN. (0.000344 CU-M)
2	LAMP HOLDER AND COVER
3	OUTLET BOX COVER
4	RUBBER COVER GASKET
5	REDUCING BUSHING
6	3/4" (19 mm) CLOSE NIPPLE
7	3/4" (19 mm) LOCKNUT
8	3/4" (19 mm) HOLE PLUG
9	SADDLE BRACKET - GALV.
10	PAR 38 LAMP
11	DETECTOR UNIT
12	POST CAP [18 FT. (5.4 m) POST MIN.]

8-3-93

NOTES:

- ALL ELECTRICAL ITEMS, EXCEPT ITEMS #2 AND #11 SHALL BE ALUMINUM OR GALVANIZED
- ITEM #1- OZ/GEDNEY FSX-1-50 OR EQUIVALENT  
 ITEM #2- MULBERRY CON-O-SHADE LAMP SHIELD OR EQUIVALENT  
 ITEM #9- 'BAND-IT' SADDLE BRACKET OR EQUIVALENT
- WHEN POST MOUNTING IS SPECIFIED, ITEM #9 SHALL NOT BE REQUIRED. THE DETECTION UNIT SHALL BE MOUNTED DIRECTLY ON TOP OF THE CAP BY DRILLING AND TAPPING A 3/4" (19 mm) HOLE WITH PIPE THREADS. THE POST CAP SHALL EITHER BE SCREWED TO THE TOP OF THE POST OR A MINIMUM OF 3 TIGHTENING SCREWS SHALL BE REQUIRED ON EACH CAP.



LIGHT DETECTOR AND CONFIRMATION BEACON MOUNTING FOR TEMPORARY TRAFFIC SIGNALS

(NOT TO SCALE)

j:\projects\projects\2000\pala\trainsubmitt\trainsig\december 21, 2000\td\st04\_almhur\st.dgn  
 \*DATE-TIME\*  
 \*DGN-SPEC\*