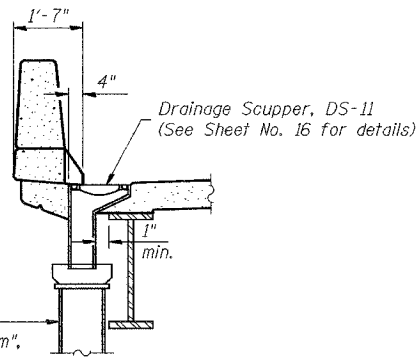
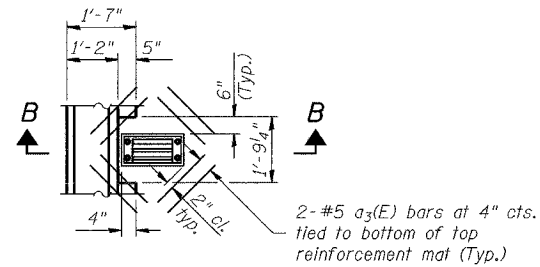


STATE OF ILLINOIS  
DEPARTMENT OF TRANSPORTATION

ROUTE NO.	SECTION	COUNTY	DATE	SHEET	SHEET NO.
FAP 305	*	Cook	193	141	12
Contract No. 62878 *1313.1 B					37 SHEETS



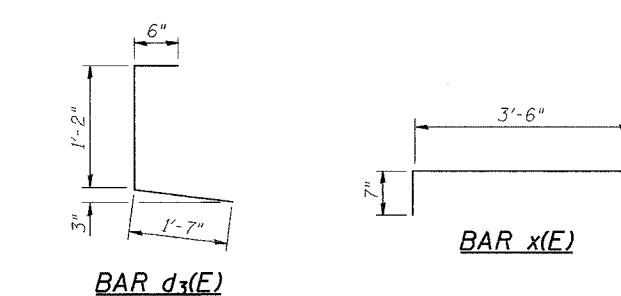
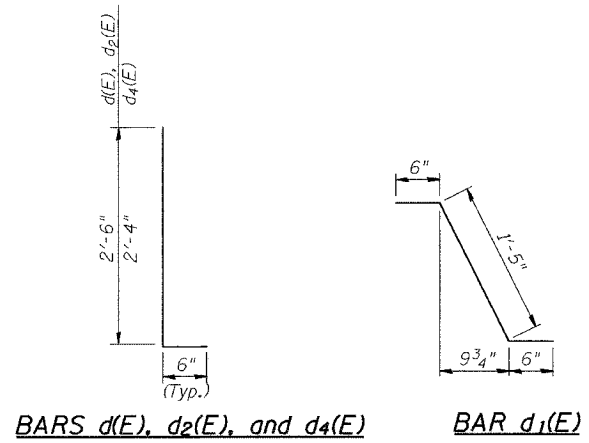
SECTION C-C



PLAN - DRAINAGE SCUPPER

Notes:

The exterior surfaces of the floor drains shall be painted with the finish coat as specified in the special provisions for Cleaning and Painting New Metal Structures. The exterior surfaces of the drains shall be cleaned according to Steel Structures Painting Council's Spec. SSPC-SP1 prior to painting.



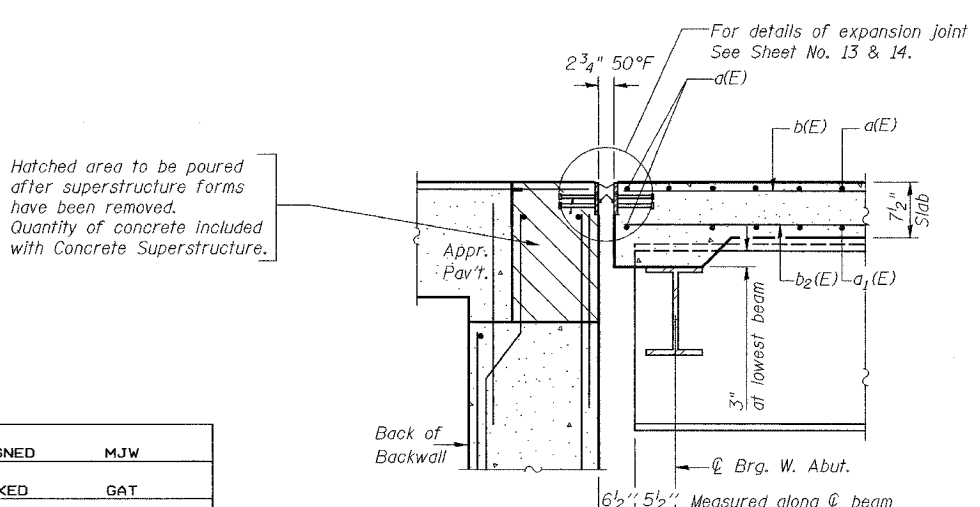
SUPERSTRUCTURE  
BILL OF MATERIAL

Bar	No.	Size	Length	Shape
$a(E)$	1122	#5	33'-4"	
$a_1(E)$	1254	#5	22'-9"	
$a_2(E)$	558	#6	4'-0"	
$a_3(E)$	64	#5	1'-6"	
$b(E)$	748	#5	33'-8"	
$b_1(E)$	260	#6	30'-5"	
$b_2(E)$	612	#5	31'-1"	
$d(E)$	778	#5	3'-0"	
$d_1(E)$	1540	#5	2'-5"	
$d_2(E)$	762	#4	3'-0"	
$d_3(E)$	762	#4	3'-3"	
$d_4(E)$	762	#5	2'-10"	
$e(E)$	180	#4	18'-1"	
$e_1(E)$	36	#8	33'-8"	
$e_2(E)$	24	#5	32'-2"	
$e_3(E)$	72	#4	17'-2"	
$e_4(E)$	24	#8	17'-2"	
$e_5(E)$	22	#5	17'-2"	
$e_6(E)$	90	#4	18'-5"	
$e_7(E)$	18	#8	34'-3"	
$e_8(E)$	12	#5	32'-8"	
$e_9(E)$	4	#5	2'-3"	
$e_{10}(E)$	12	#5	30'-8"	
$e_{11}(E)$	2	#5	5'-3"	
$e_{12}(E)$	2	#5	9'-9"	
$e_{13}(E)$	4	#5	27'-4"	
$e_{14}(E)$	4	#5	20'-8"	
$x(E)$	68	#5	4'-1"	
Reinforcement Bars, Epoxy Coated	Pound		154,580	
Concrete Superstructure	Cu. Yds.		717.5	
Neoprene Expansion Joint 4"	Foot		64	

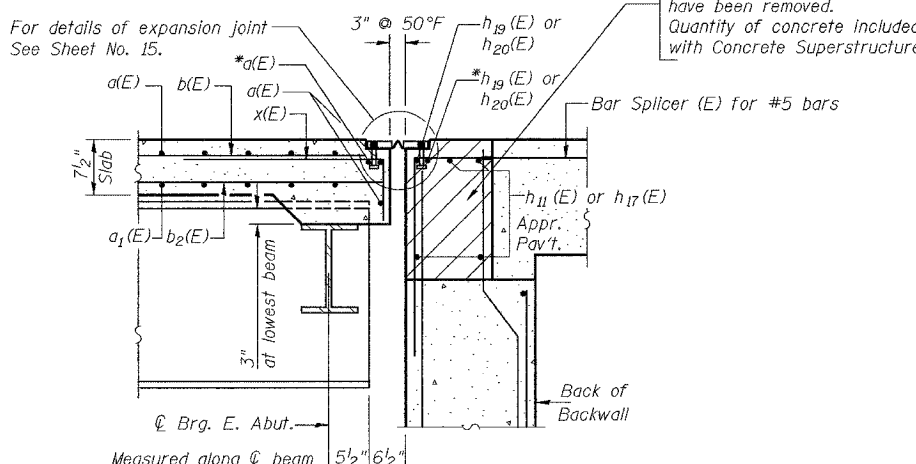
Reinforcement bars designated (E) shall be epoxy coated.  
Bars indicated thus 1 x 2-#5 etc. indicates 1 line of bars with 2 lengths per line.  
All concrete edges shall have a 3/4" chamfer.

\*Place  $a(E)$  and  $h_{19}(E)$  or  $h_{20}(E)$  bars in back of anchor bolt as shown if required to maintain 1" cl. ( $\pm 0-1/8"$ ). Anchor bolts should be tied to  $a(E)$  and  $h_{19}(E)$  or  $h_{20}(E)$  bars.

Hatched area to be poured after superstructure forms have been removed. Quantity of concrete included with Concrete Superstructure.



SECTION A-A



SECTION B-B

DESIGNED	MJW
CHECKED	GAT
DRAWN	MJW
CHECKED	GAT

SUPERSTRUCTURE DETAILS - III  
PALATINE ROAD OVER  
IL. RT. 83 (ELMHURST ROAD)  
F.A.P. RTE. 305 SECT. 1313.1 B  
COOK COUNTY  
STATION 363+77.17  
STRUCTURE NO. 016-2812