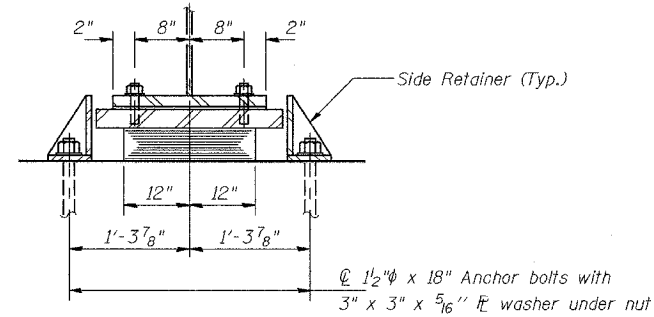
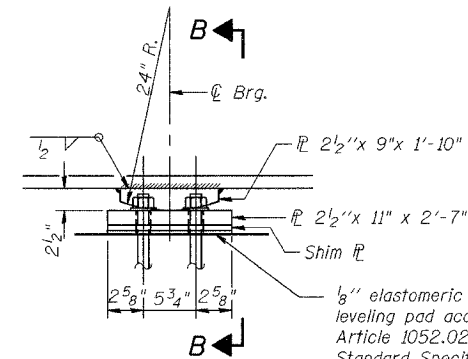


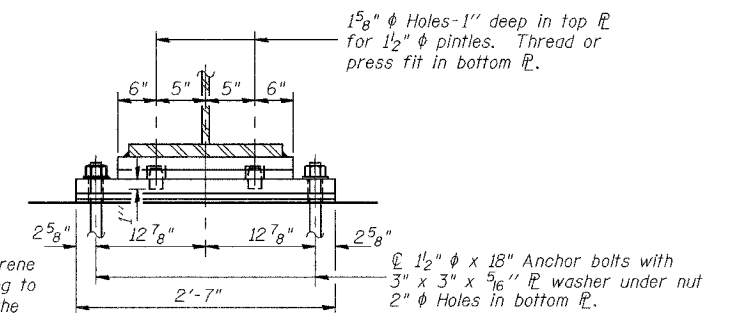
ELEVATION AT PIER



SECTION A-A

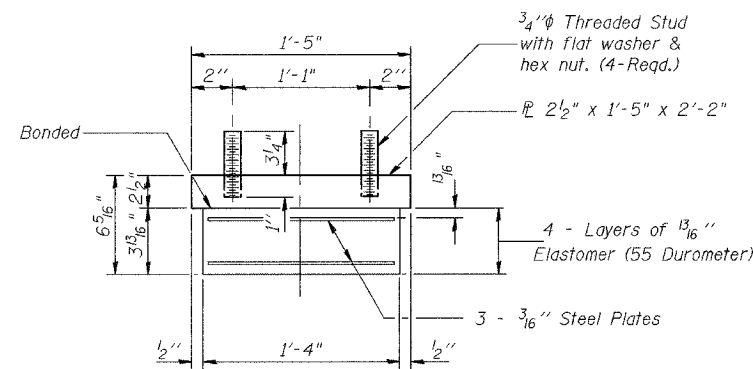


ELEVATION AT PIER



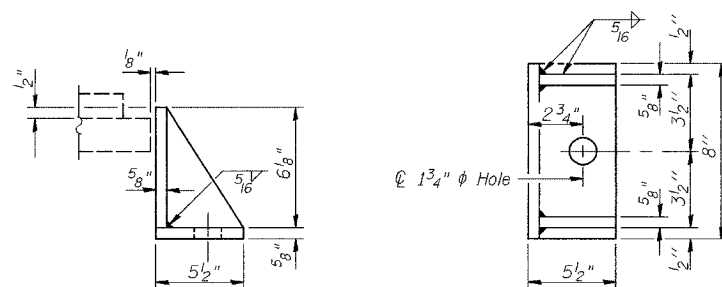
SECTION B-B

TYPE I ELASTOMERIC EXP. BRG. @ PIER 2



BEARING ASSEMBLY

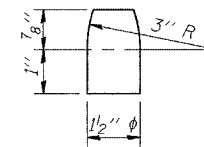
Note: Shim plates shall not be placed under Bearing Assembly.



SIDE RETAINER

Equivalent rolled angle with stiffeners will be allowed in lieu of welded plates. Weight included with Structural Steel.

Notes: Anchor bolts at fixed bearings may be built into the masonry. See Sheet No. 21 for Anchor Bolt installation. Bearing Plates and Pintels shall be AASHTO M270, Grade 50. Side Retainers shall be AASHTO M270, Grade 36.



PINTLE

BILL OF MATERIAL

Item	Unit	Total
Erecting Elastomeric Bearing Assembly, Type I	Each	10

**PIER BEARING DETAILS
PALATINE ROAD OVER
IL. RT. 83 (ELMHURST ROAD)
F.A.P. RTE. 305 SECT. 1313.1 B
COOK COUNTY
STATION 363+77.17
STRUCTURE NO. 016-2812**

DESIGNED	MJW
CHECKED	GAT
DRAWN	MJW
CHECKED	GAT

I-2-E1 9-01-03