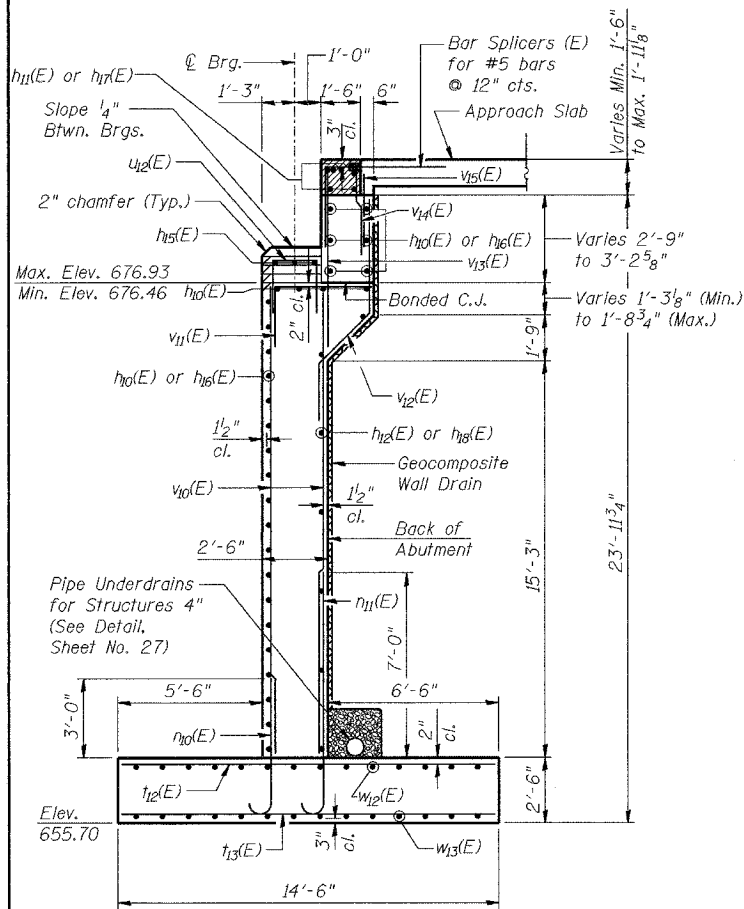


STATE OF ILLINOIS
DEPARTMENT OF TRANSPORTATION

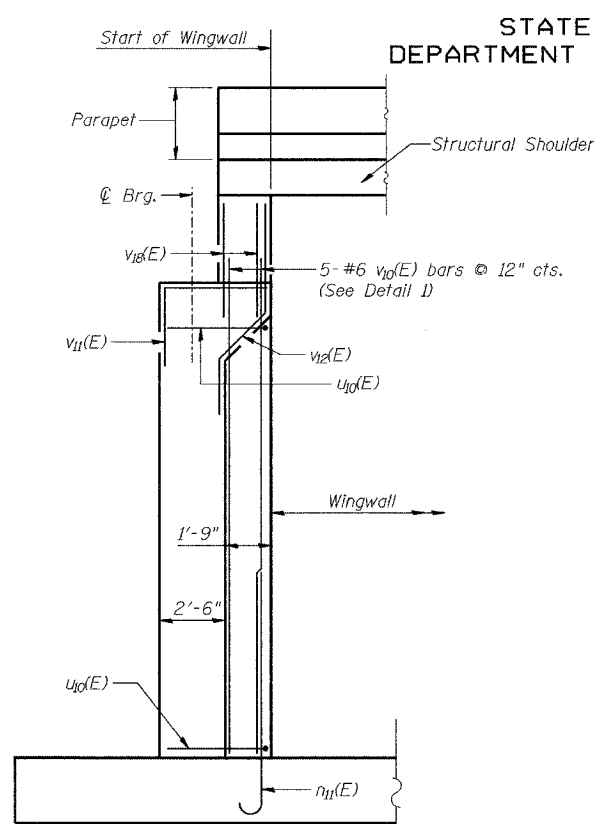
| | | | | | |
|-----------|---------|--------|------|-------|--------------|
| ROUTE NO. | SECTION | COUNTY | DATE | SHEET | SHEET NO. 26 |
| FAP 305 | * | Cook | 193 | 155 | 37 SHEETS |

Contract No. 62878 *1313.1 B

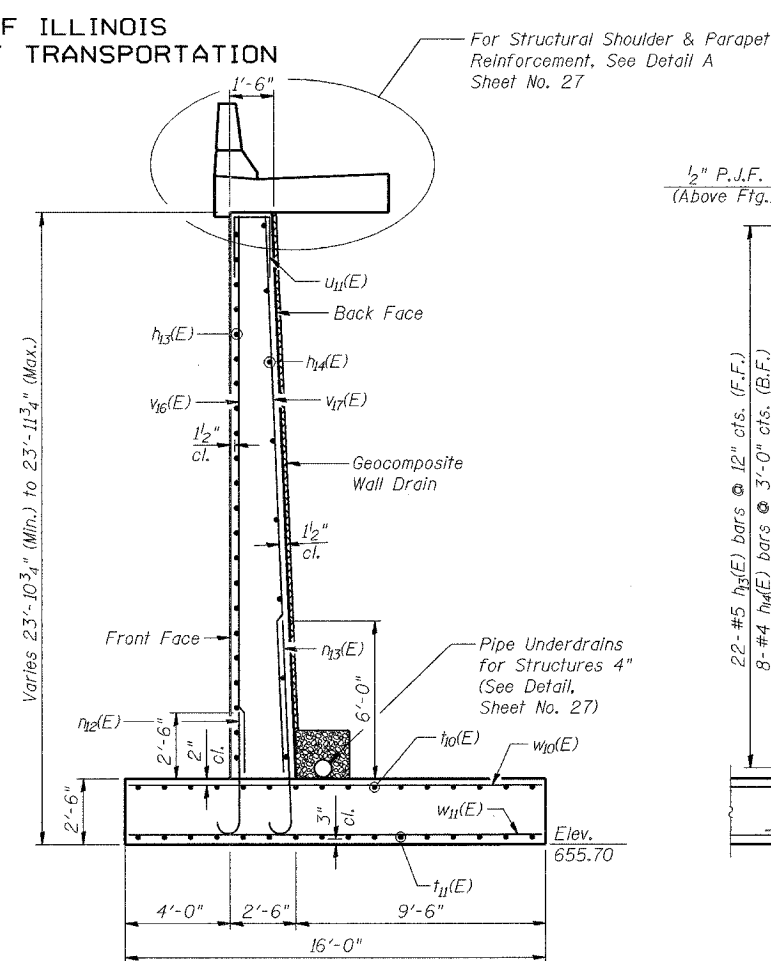
Sta. 365+53.54 Elev. 679.68
Sta. 365+72.49 Elev. 679.60
18'-10 3/8" P.J.F. (Above Fig.)



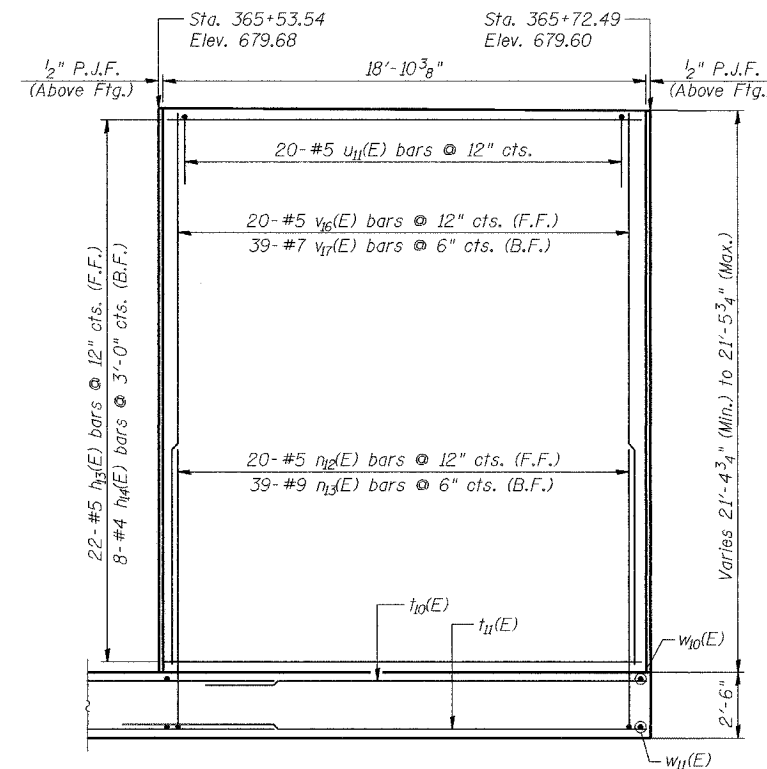
SECTION THRU ABUTMENT



SECTION A-A
(Drainage not shown for clarity)



SECTION THRU WING WALL



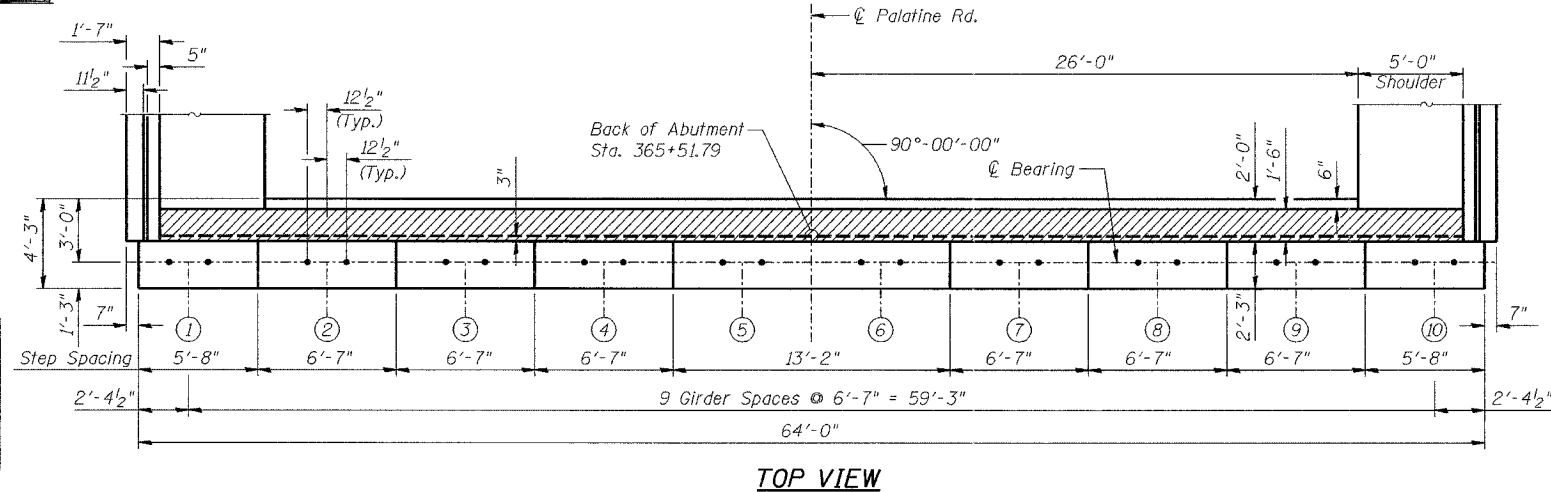
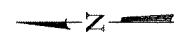
WING WALL ELEVATION

MIN. BAR LAP

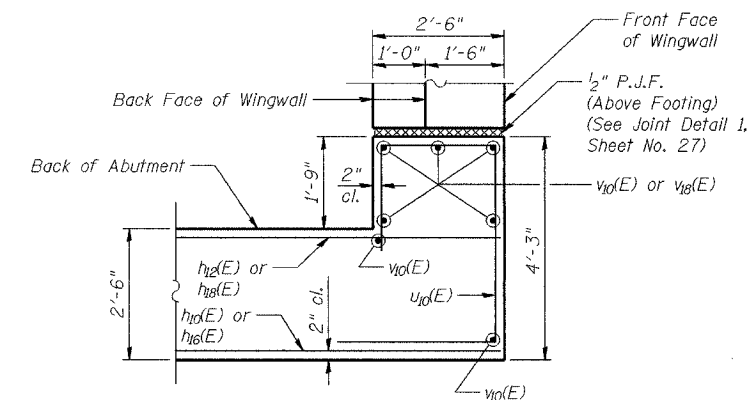
- #4 - 1'-8"
- #5 - 2'-2"
- #6 - 2'-7"
- #7 - 3'-5"
- #8 - 4'-6"
- #9 - 5'-9"

LEGEND

- F.F. = Front Face
- B.F. = Back Face



TOP VIEW



DETAIL B
(Drainage not shown for clarity)

Notes:

Reinforcement bars designated (E) shall be epoxy coated.

All edges shall have standard 3/4" chamfers except as noted.

Pour steps monolithically with cap.

Hatched area to be poured after superstructure forms have been removed. Quantity of concrete included with "Concrete Superstructure".

Space reinforcement in cap to miss Anchor Bolts.

Work this sheet with Sheet No. 25 and No. 27.

EAST ABUTMENT DETAILS - I
PALATINE ROAD OVER
IL. RT. 83 (ELMHURST ROAD)
F.A.P. RTE. 305 SECT. 1313.1 B
COOK COUNTY
STATION 363+77.17
STRUCTURE NO. 016-2812

| | |
|----------|-----|
| DESIGNED | MJW |
| CHECKED | GAT |
| DRAWN | MJW |
| CHECKED | GAT |