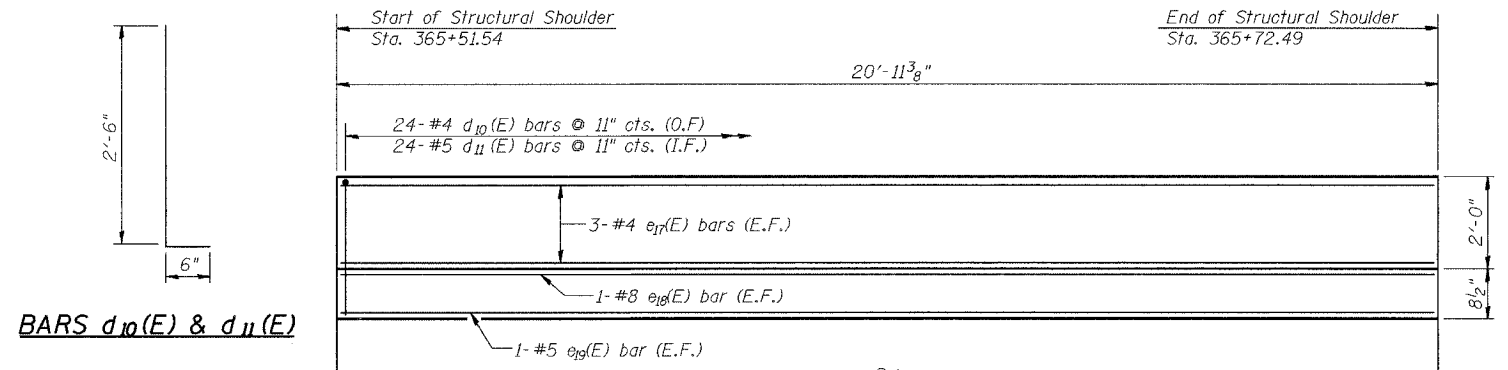
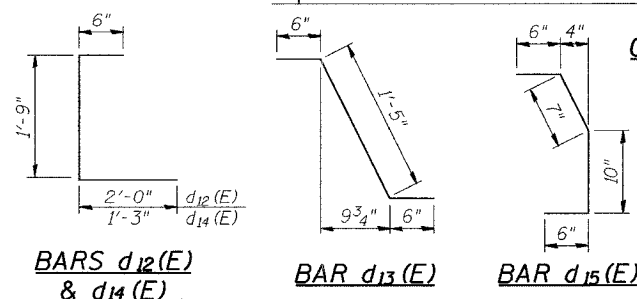


STRUCTURAL SHOULDER PLAN



OUTSIDE ELEVATION OF PARAPET

BARS d<sub>10</sub>(E) & d<sub>11</sub>(E)

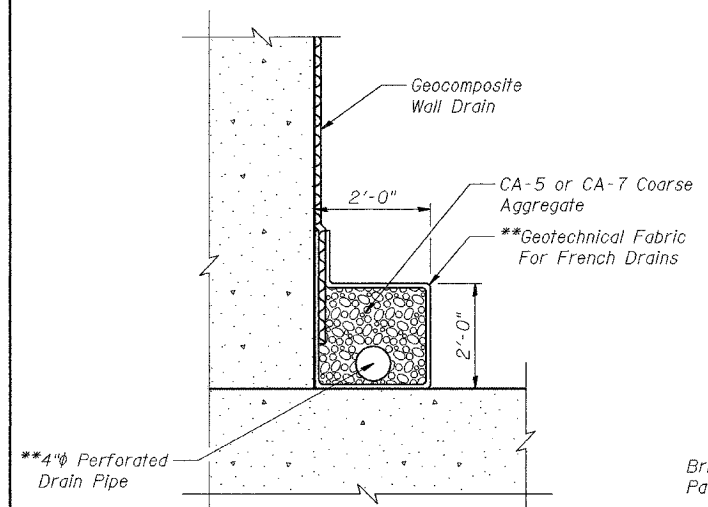
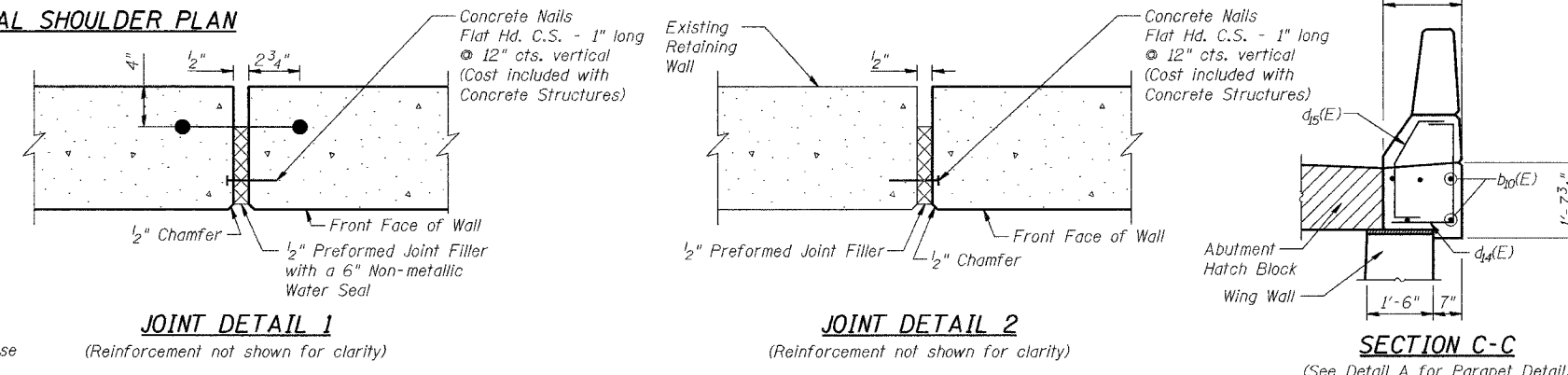


LEGEND

E.F. = Each Face  
I.F. = Inside Face  
O.F. = Outside Face

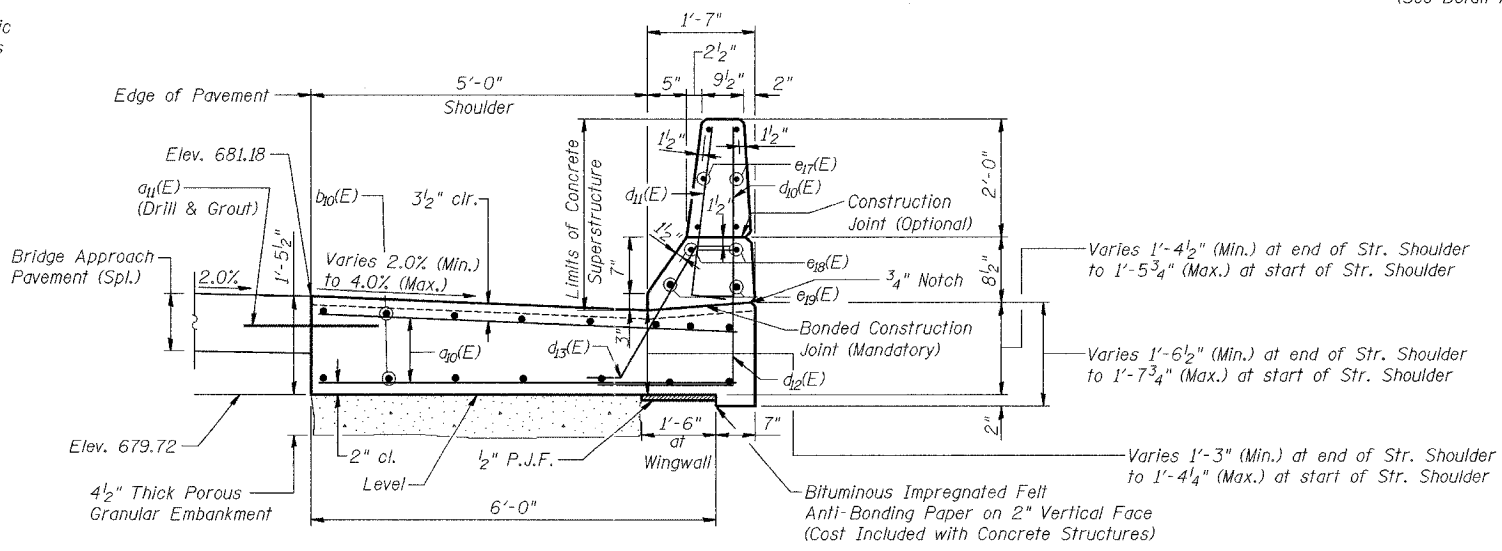
EAST ABUT. SHOULDER & PARAPET  
BILL OF MATERIAL

Bar	No.	Size	Length	Shape
d <sub>10</sub> (E)	88	#6	6'-3"	—
d <sub>11</sub> (E)	22	#6	2'-0"	—
b <sub>10</sub> (E)	30	#5	20'-7"	—
d <sub>10</sub> (E)	48	#4	3'-0"	┌
d <sub>11</sub> (E)	48	#5	3'-0"	┌
d <sub>12</sub> (E)	44	#4	4'-3"	┌
d <sub>13</sub> (E)	44	#5	2'-5"	┌
d <sub>14</sub> (E)	4	#4	3'-6"	┌
d <sub>15</sub> (E)	4	#5	2'-5"	┌
e <sub>17</sub> (E)	12	#4	20'-7"	—
e <sub>18</sub> (E)	4	#8	20'-7"	—
e <sub>19</sub> (E)	4	#5	20'-7"	—
Reinforcement Bars, Epoxy Coated	Pound		2,510	
Concrete Superstructure	Cu. Yd.		4.3	
Porous Granular Embankment	Cu. Yd.		2.1	
Concrete Structures	Cu. Yd.		14.2	



PIPE UNDERDRAIN DETAIL

\*\* Cost included with Pipe Underdrains for Structures 4"



DETAIL A

SECTION C-C (See Detail A for Parapet Detail)

Notes:

Reinforcement bars designated (E) shall be epoxy coated.

All edges shall have standard 3/4" chamfers except as noted.

Cost of P.J.F. included with "Concrete Structures".

Cost of Drilling and Grouting a<sub>11</sub>(E) bars into Bridge Approach Pavement included with "Reinforcement Bars, Epoxy Coated".

Work this sheet with Sheet No. 25 and No. 26.

**EAST ABUTMENT DETAILS - II**  
**PALATINE ROAD OVER**  
**IL. RT. 83 (ELMHURST ROAD)**  
**F.A.P. RTE. 305 SECT. 1313.1 B**  
**COOK COUNTY**  
**STATION 363+77.17**  
**STRUCTURE NO. 016-2812**