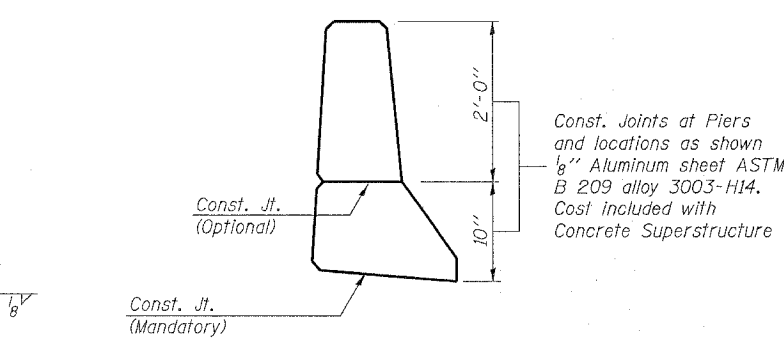
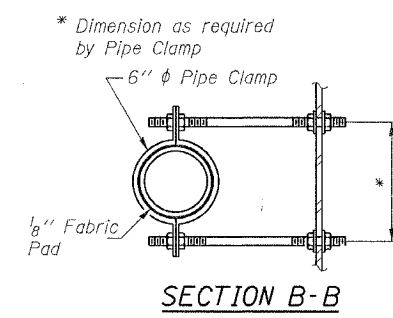
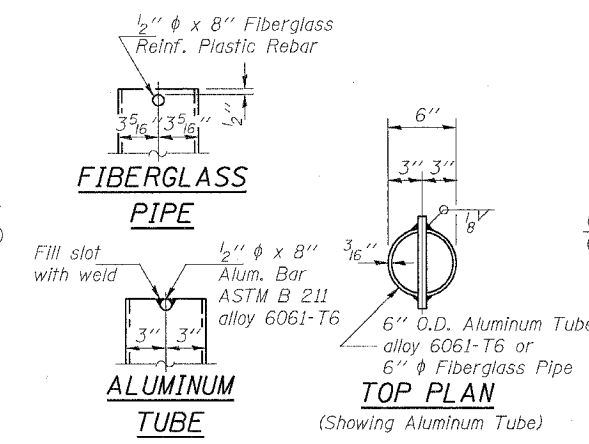
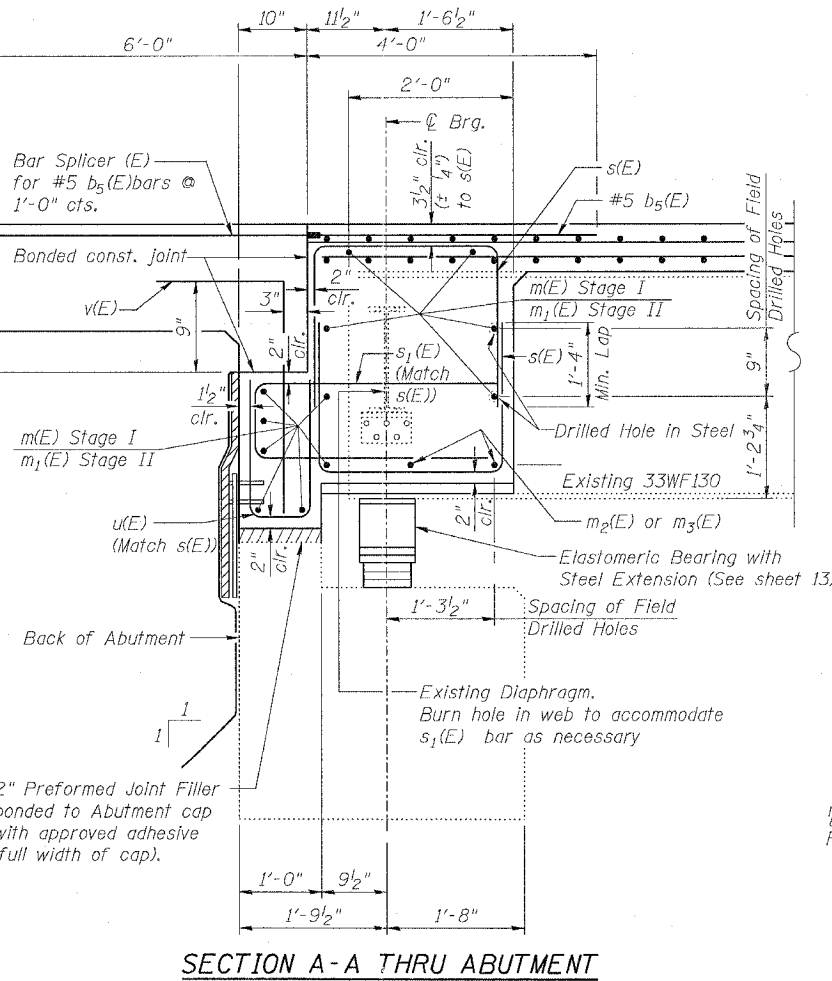
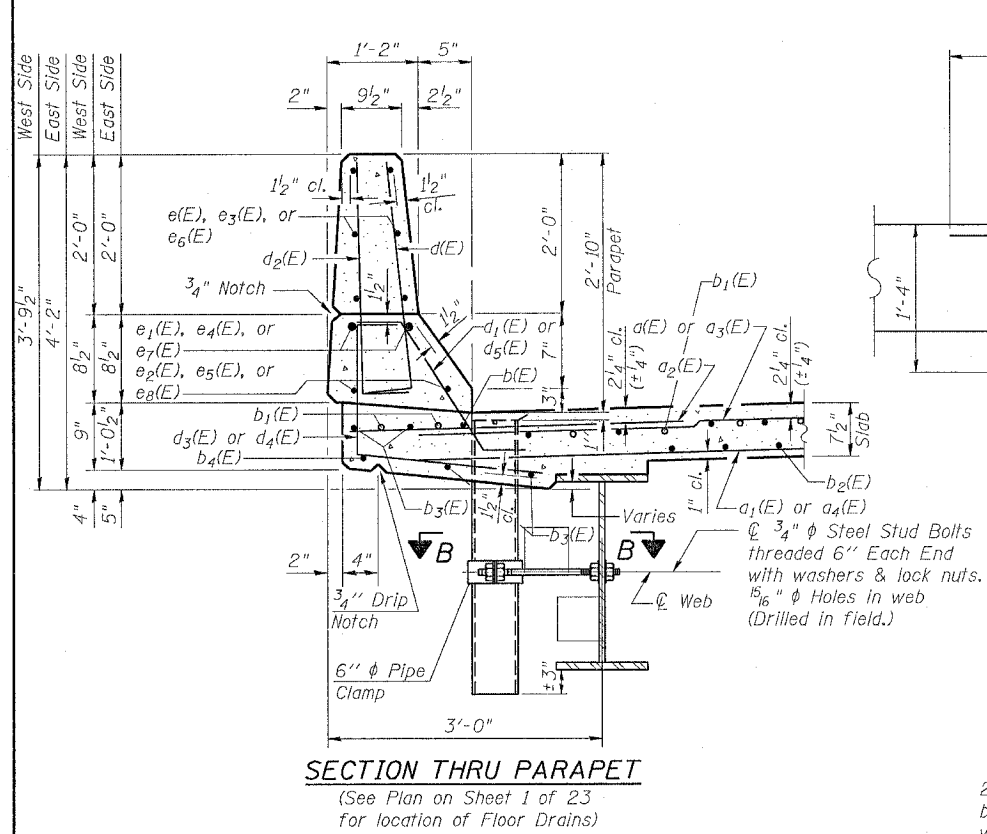
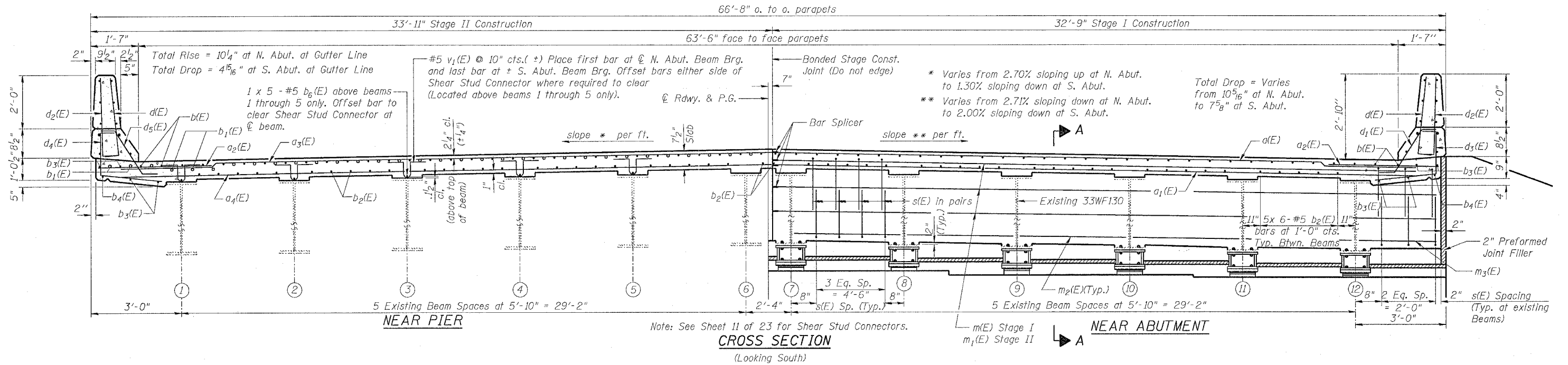


STATE OF ILLINOIS
DEPARTMENT OF TRANSPORTATION

ROUTE NO.	SECTION	COUNTY	TOTAL SHEETS	SHEET NO.	SHEET NO. 10
S.B.I. F.A. 5	19B-2-D	STEPHENSON	57	26	23 SHEETS
FED. ROAD DIST. NO. 7	ILLINOIS	FED. AID PROJECT-			



PARAPET JOINT DETAILS

Notes:
Floor Drain need not be painted.
Fiberglass pipe shall conform to ASTM D 2996, with short-time rupture strength hoop tensile stress of 30,000 p.s.i. minimum.
Reinforcement bars designated (E) shall be epoxy coated.
Bars indicated thus 5 x 6-#5 etc. indicates 5 lines of bars with 6 lengths per line.
See Sheet 9 of 23 for parapet reinforcement.
All concrete edges shall have 3/4" chamfer.

SUPERSTRUCTURE
U.S. 20 B.R. OVER YELLOW CREEK
F.A. RT. 5 SEC. 19B-2-D
STEPHENSON COUNTY
STATION 56+25.00
STRUCTURE NUMBER 089-0008

DESIGNED	L.C.M.	20
CHECKED	S.D.K.	EXAMINED
DRAWN	T.L.N.	PASSED
CHECKED	S.D.K.	ENGINEER OF BRIDGE DESIGN
		ENGINEER OF BRIDGES AND STRUCTURES

