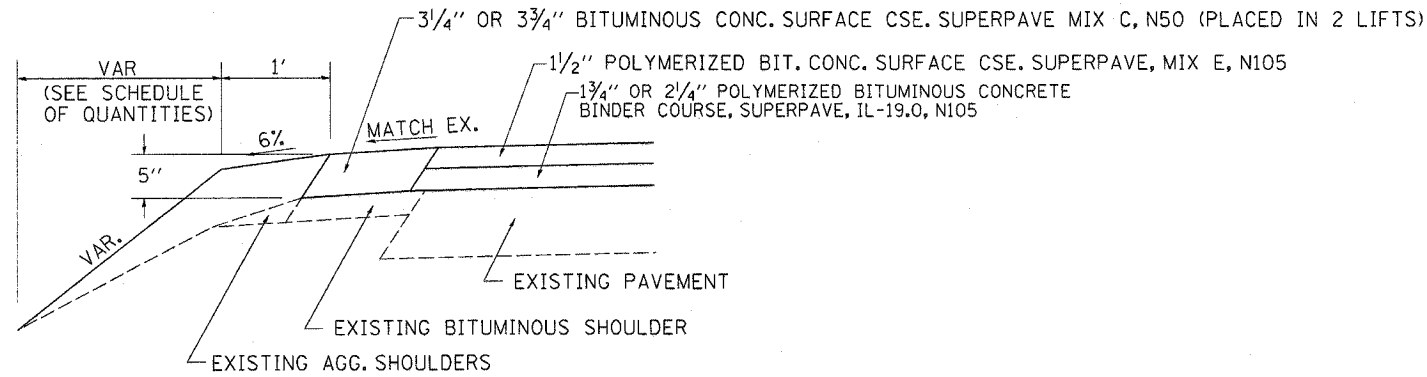


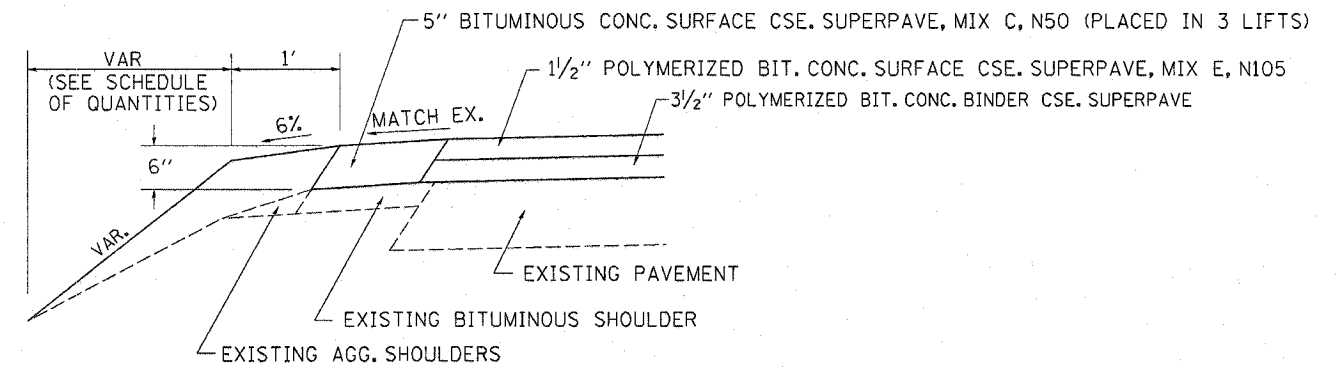
F.A. RTE.	SECTION	COUNTY	TOTAL SHEETS	SHEET NO.
*	**	WINNEBAGO	317	12
STA.		TO STA.		
FED. ROAD DIST. NO.	ILLINOIS	FED. AID PROJECT		

TYPICAL SECTIONS

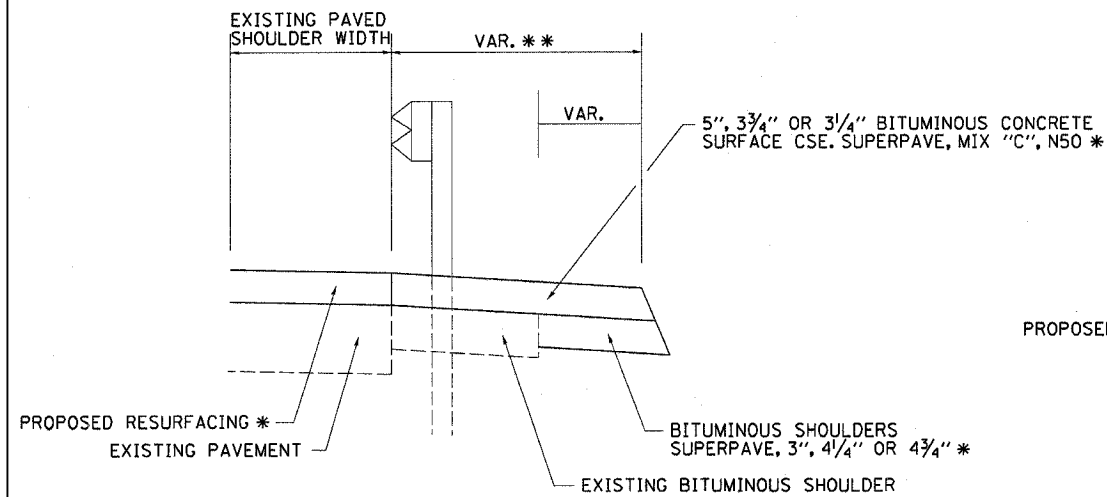
DETAIL FOR TOPSOIL FURNISH AND PLACE, 5"



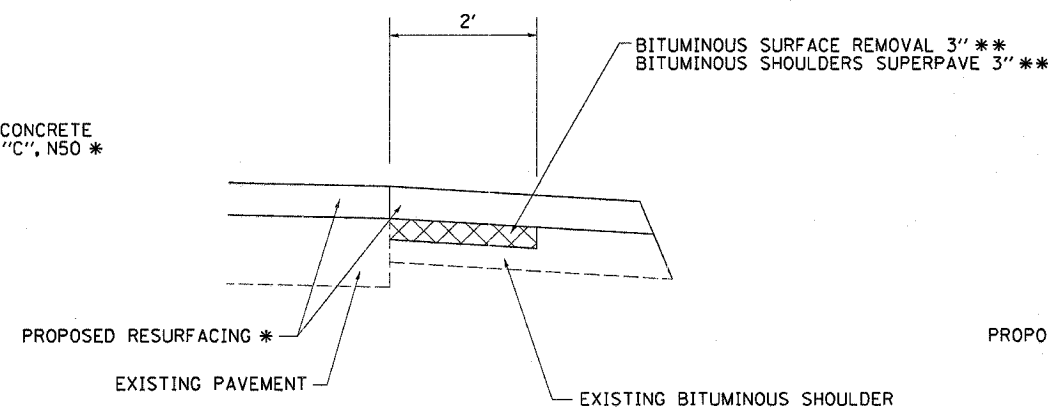
DETAIL FOR TOPSOIL FURNISH AND PLACE 6"



BITUMINOUS STABILIZATION AT GUARDRAIL

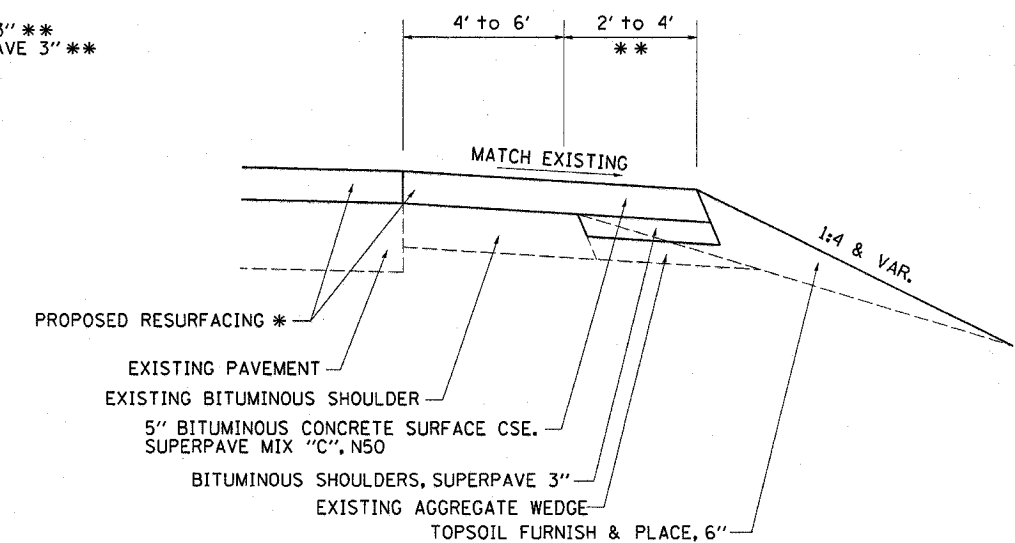


DETAIL FOR BITUMINOUS SHOULDER REPAIRS



- * SEE TYPICAL SECTIONS AND SCHEDULE OF QUANTITIES FOR LOCATIONS OF VARIOUS SURFACE THICKNESSES
- ** SEE SCHEDULE OF QUANTITIES FOR REPAIR LOCATIONS

DETAIL FOR BITUMINOUS SHOULDER WIDENING



- * SEE TYPICAL SECTIONS AND SCHEDULE OF QUANTITIES FOR LOCATIONS OF VARIOUS SURFACE THICKNESSES
- ** SEE CROSS SECTIONS AND SCHEDULE OF QUANTITIES FOR LOCATIONS AND DIMENSIONS

* SEE TYPICAL SECTIONS AND SCHEDULE OF QUANTITIES FOR LOCATIONS OF VARIOUS SURFACE THICKNESSES

** SEE HIGHWAY STANDARD 630201

PLOT DATE = Thu, Dec 23 09:51:15 2004
 PLOT SCALE = 50.0000
 REFERENCE = *REF*