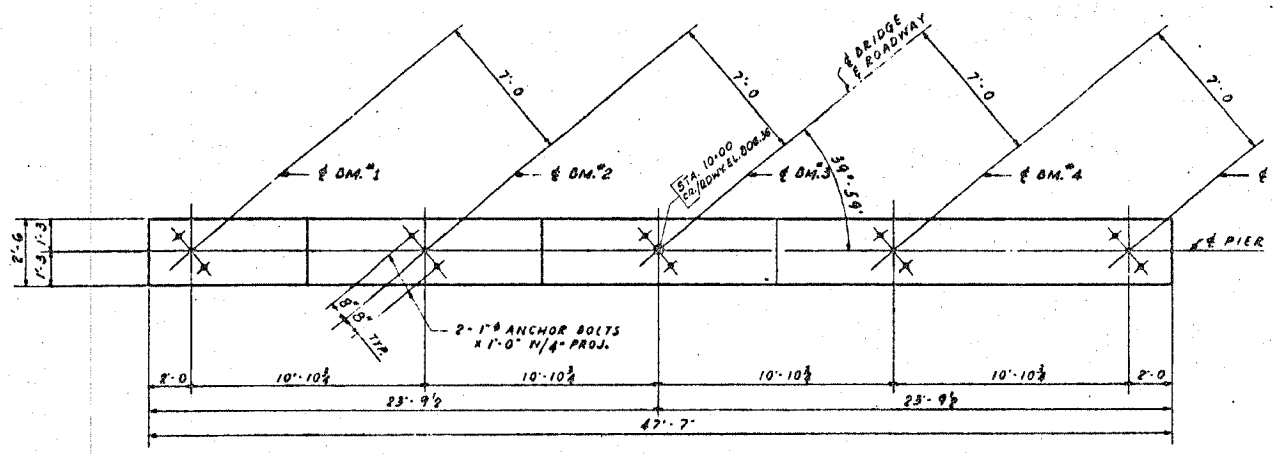
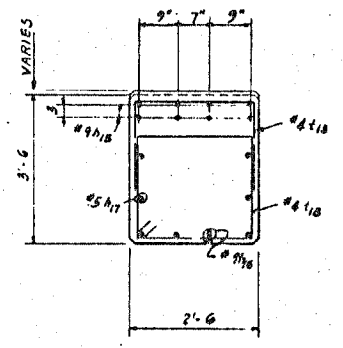


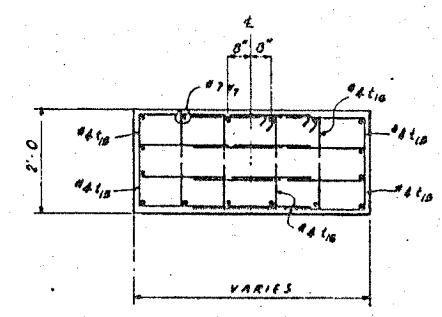
F.A. RTE.	SECTION	COUNTY	TOTAL SHEETS	SHEET NO.
*	**	WINNEBAGO	317	490
STA.		TO STA.		
FED. ROAD DIST. NO.		ILLINOIS FED. AID PROJECT		



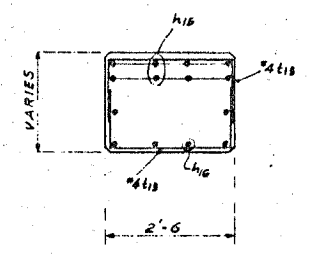
TOP PLAN  
 SCALE 1/4" = 1'-0"



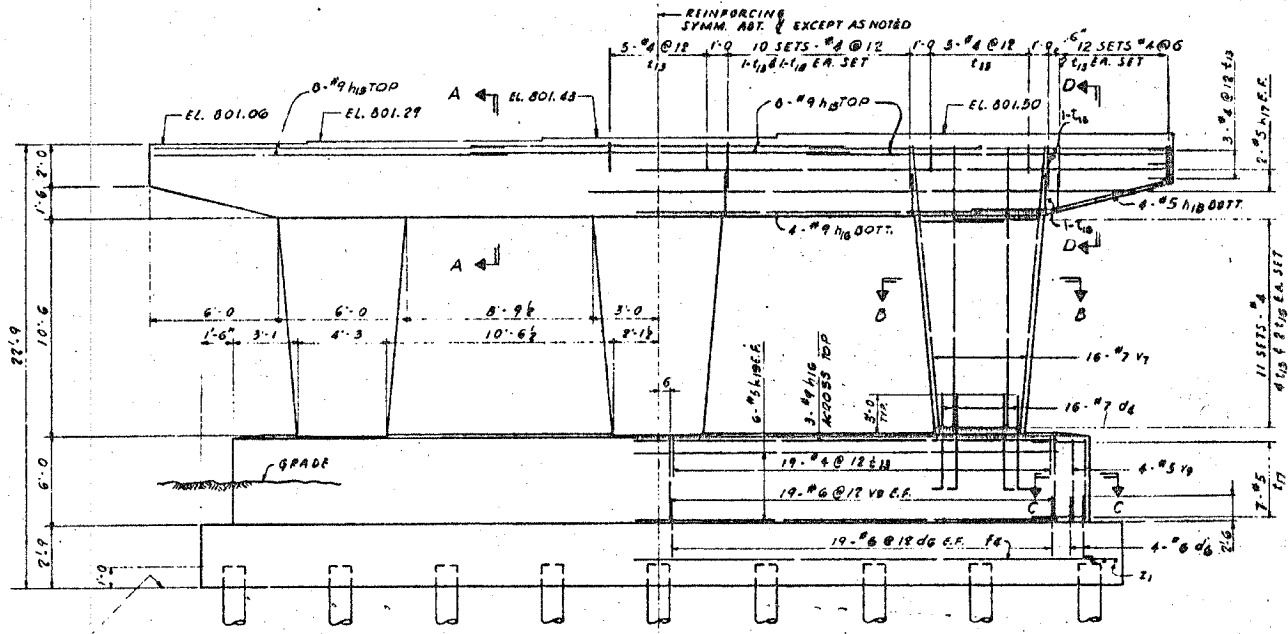
SECTION "A-A"



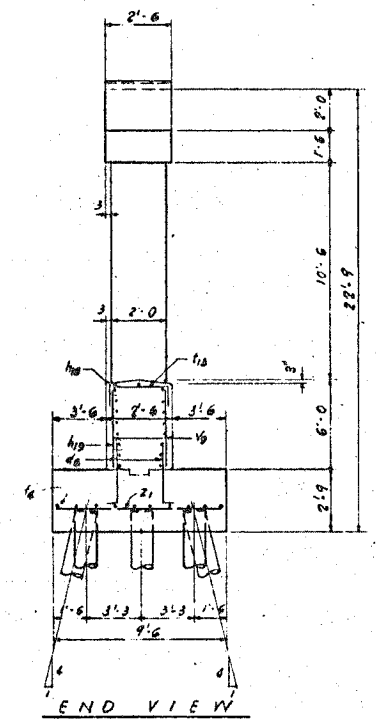
SECTION B-B



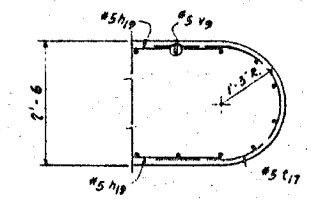
SECTION "D-D"



ELEVATION  
 SCALE 1/4" = 1'-0"



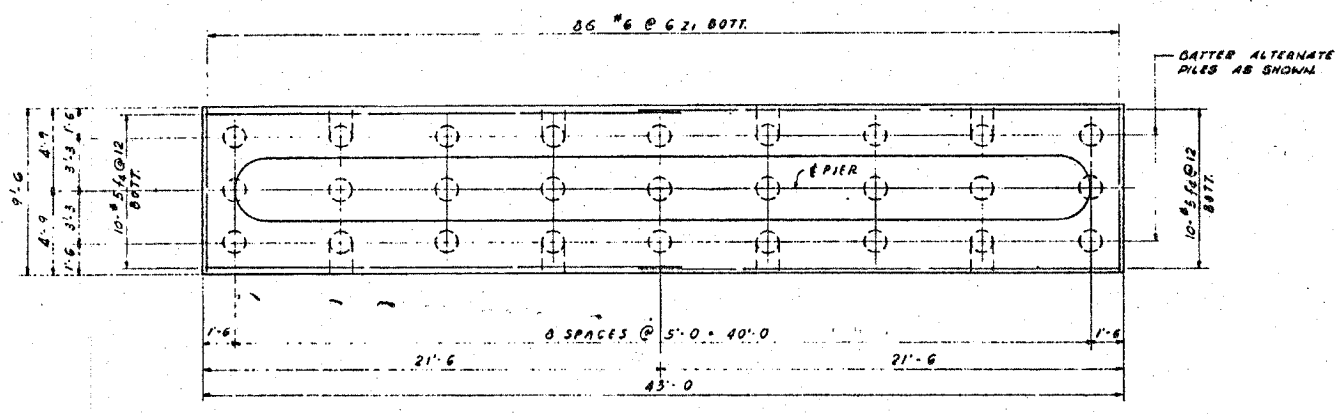
END VIEW



SECTION "C-C"

NOTES  
 FOR GENERAL NOTES SEE SH. #2  
 FOR REINFORCING SCHEDULE SEE SH. #15

PILE DATA  
 20 TON CROSOTED TIMBER PILES  
 NUMBER REQ'D. - 27  
 ESTIMATED LENGTH - 10 FT.



FOOTING PLAN

QUANTITIES FOR PIER 2		
ITEM	UNIT	TOTAL
CLASS "X" CONCRETE	CU. YDS	86.6
REINFORCEMENT BARS	LOS.	9560
CROSOTED PILES	LIN. FT.	270
TEST PILE (TIMBER)	EACH	1
METAL SHOES	EACH	27
CLASS "A" EXCAVATION FOR STRUCTURES	CU. YDS.	110

REVISIONS	
NAME	DATE

ILLINOIS DEPARTMENT OF TRANSPORTATION  
 SCALE: VERT. \_\_\_\_\_  
 HORIZ. \_\_\_\_\_  
 DATE \_\_\_\_\_  
 DRAWN BY \_\_\_\_\_  
 CHECKED BY \_\_\_\_\_

**PIER 2**  
**MEDIAN PIER AT**  
**PERRYVILLE ROAD**  
**SN 101-0098**

**FOR INFORMATION ONLY**

PLOT DATE = Tue Dec 21 09:12:37 2024  
 FILE NAME = c:\p\proj\101-0098\101-0098.dwg  
 PLOT SCALE = 1/4" = 1'-0"  
 REFERENCE = SHEETS