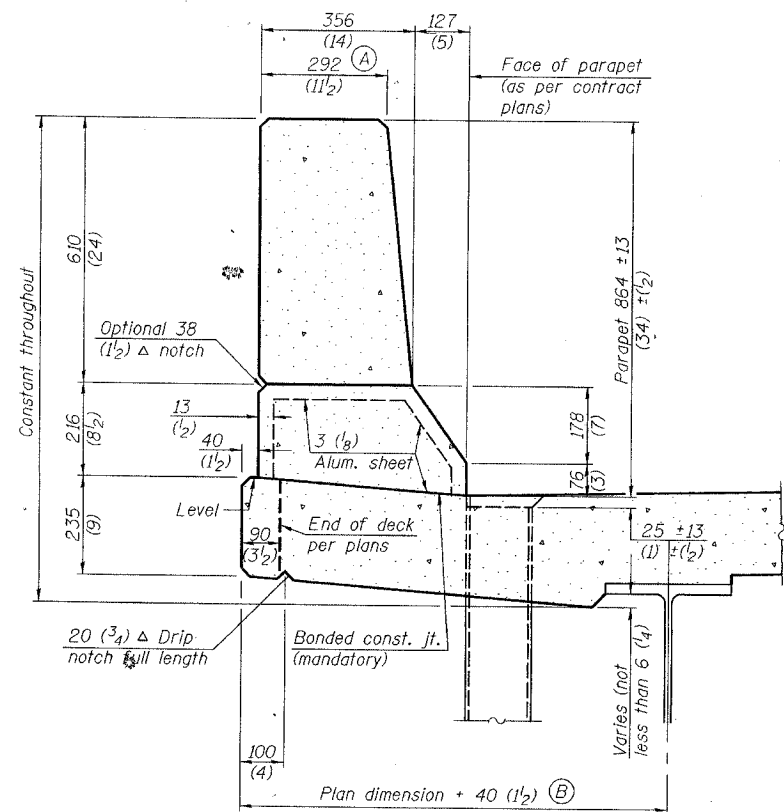
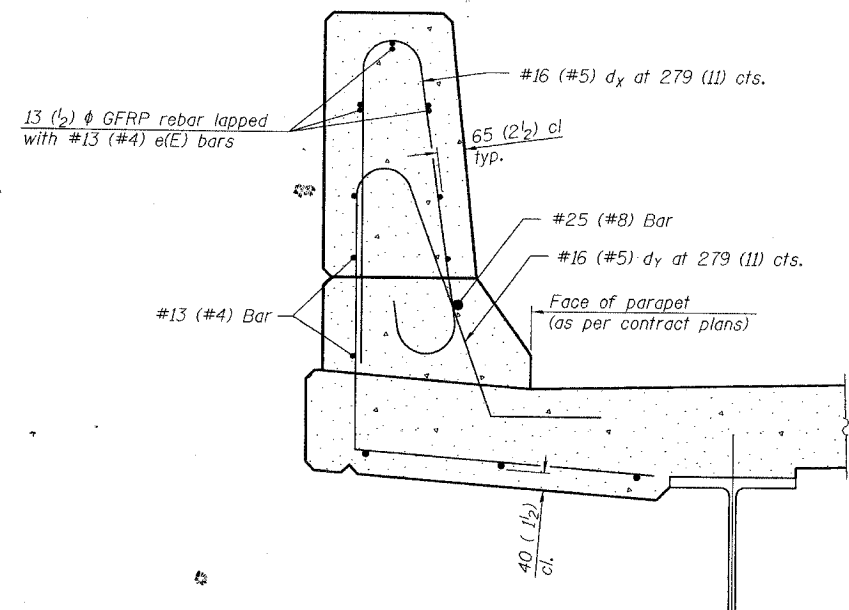


STATE OF ILLINOIS
DEPARTMENT OF TRANSPORTATION

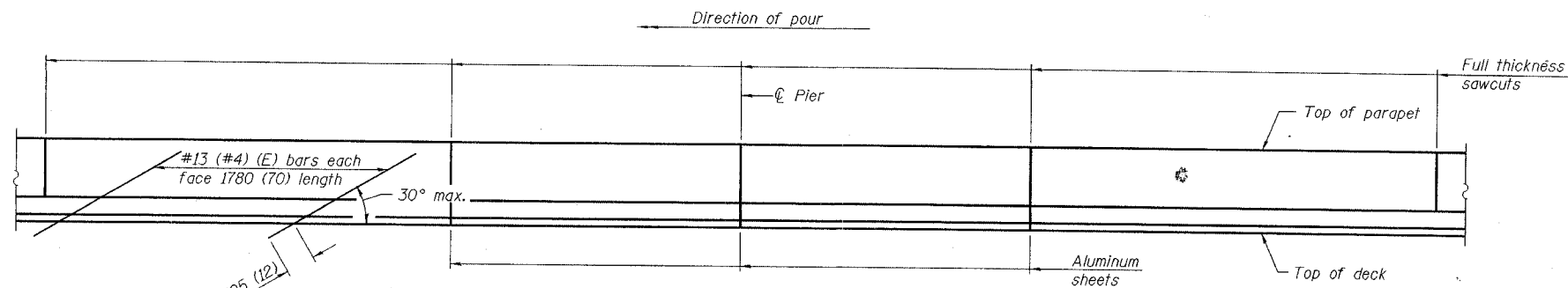
ROUTE NO.	SECTION	COUNTY	SHEET NO.	SHEET NO.	SHEET NO.
FAP 595	1-3-K	Rock Island	476	289C	
PER. ROAD DIST. NO. 7	ILLINOIS	FED. AID PROJECT			



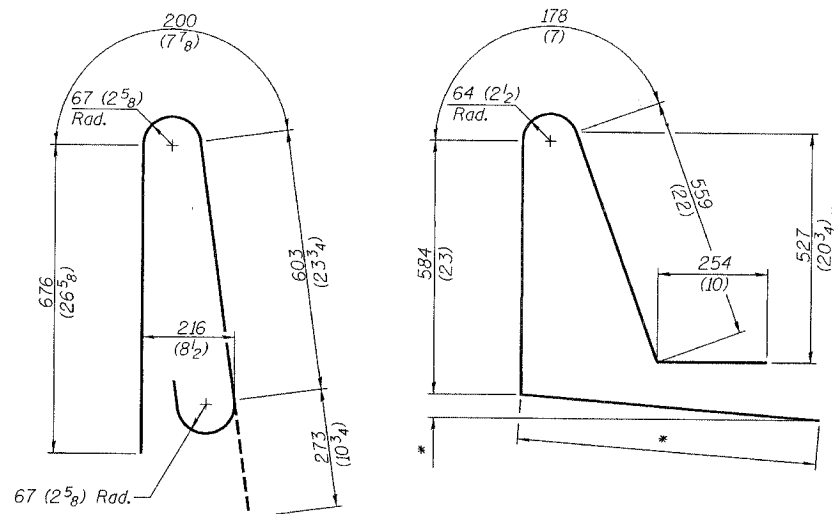
SECTION
(Showing dimensions)



SECTION
(Showing required reinforcement)

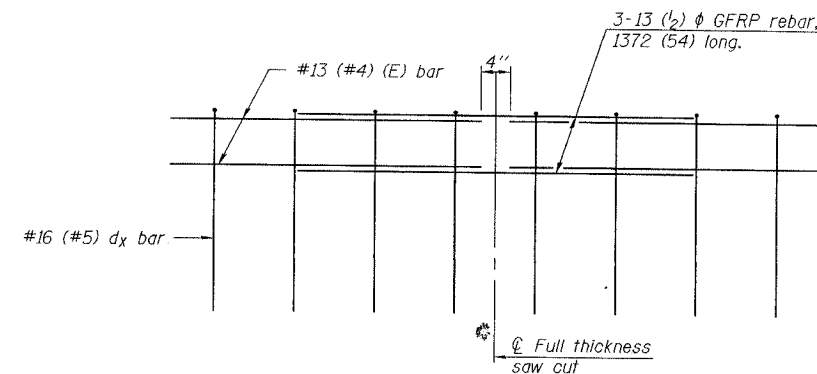


ELEVATION
(Showing parapet joints and typical stiffening reinforcement between joints)



BAR dx(e)

BAR dy(e)
* Per contract plans



GFRP REBAR STIFFENING DETAIL
(Place as shown in parapet section)

GENERAL NOTES

All dimensions shall remain the same as shown on contract plans, except dimensions A and B which are to be revised as shown to provide additional clearance. Additional concrete needed to revise dimension A and B = 0.0422 m³/m (0.165 cu. yds./ft.) of parapet. Place aluminum sheet in curb portion at and near piers. Full thickness saw cut at all other locations. Adjust/add joint locations to maintain 3 to 6 meter (10 to 20 foot) spacing.

**CONCRETE PARAPET
SLIPFORMING OPTION**

Added 2-23-05