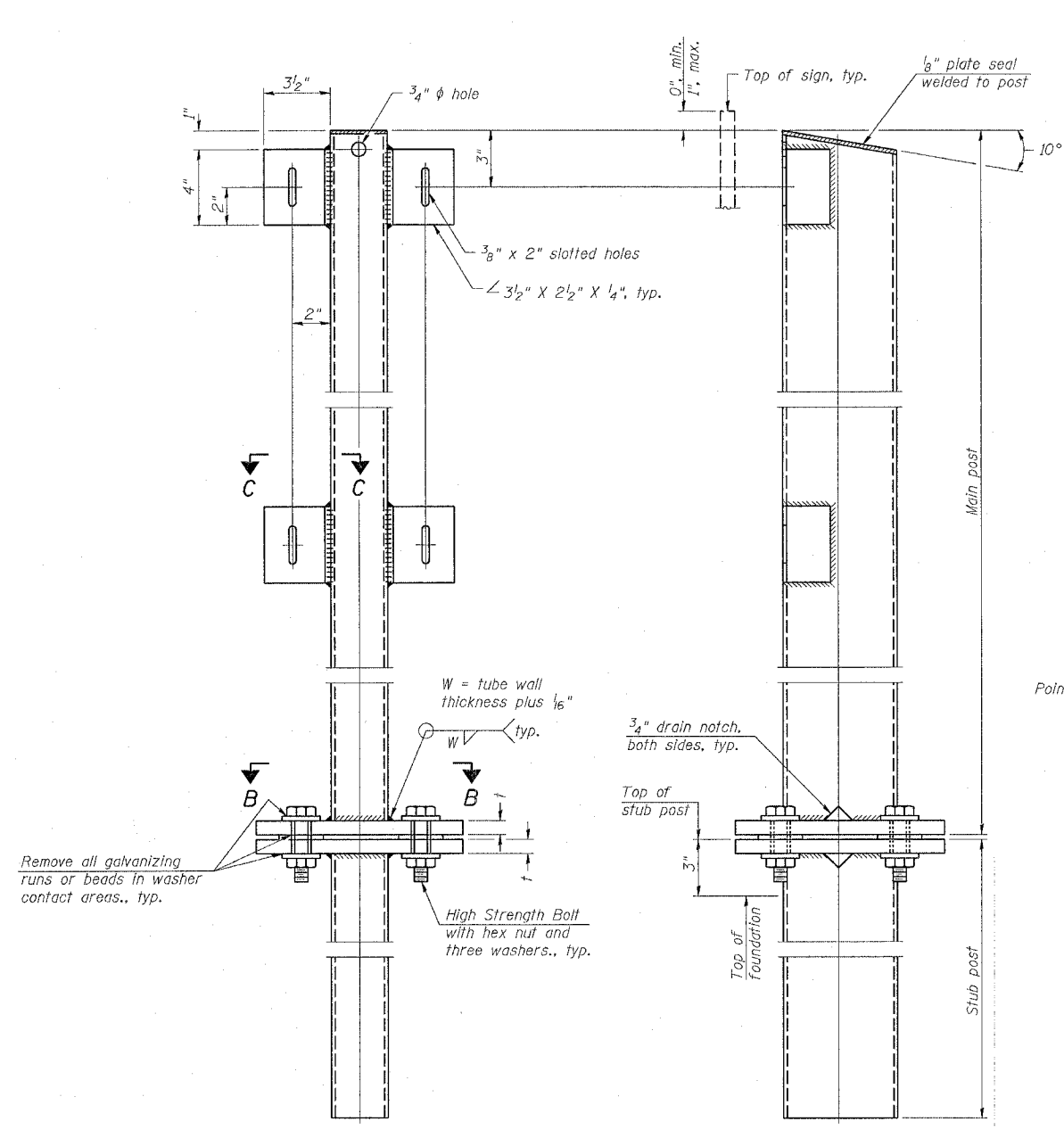
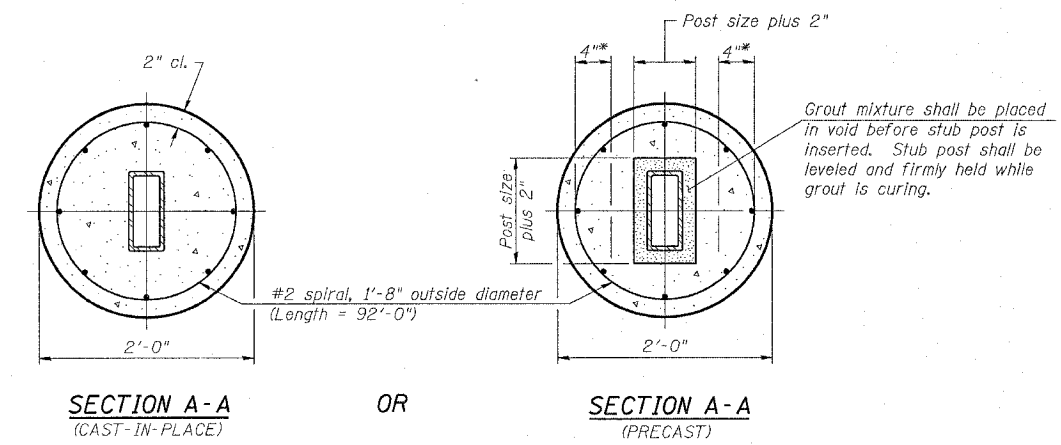


F.A.P. RTE.	SECTION	COUNTY	TOTAL SHEETS	SHEET NO.
595	1-3-K	ROCKISLAND	476	238A
STA.		TO STA.		
FED. ROAD DIST. NO.	ILLINOIS	FED. AID PROJECT		

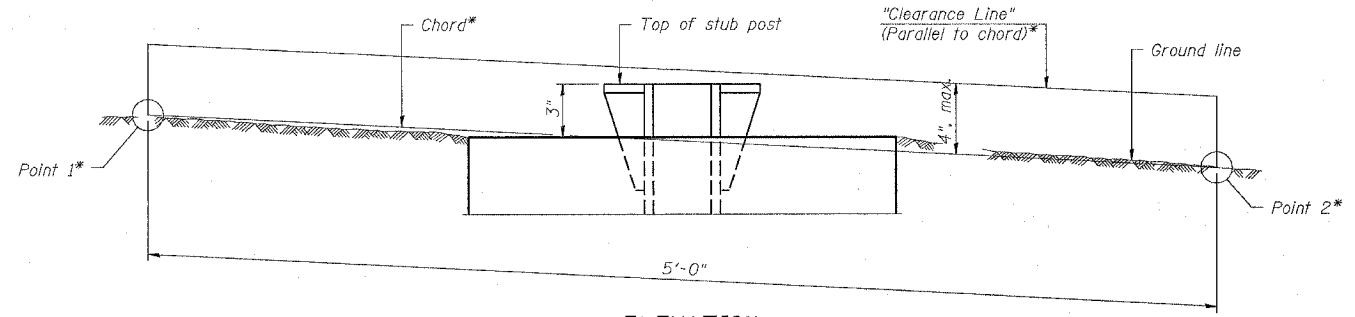


FRONT ELEVATION **SIDE ELEVATION**
MAIN POST & STUB POST

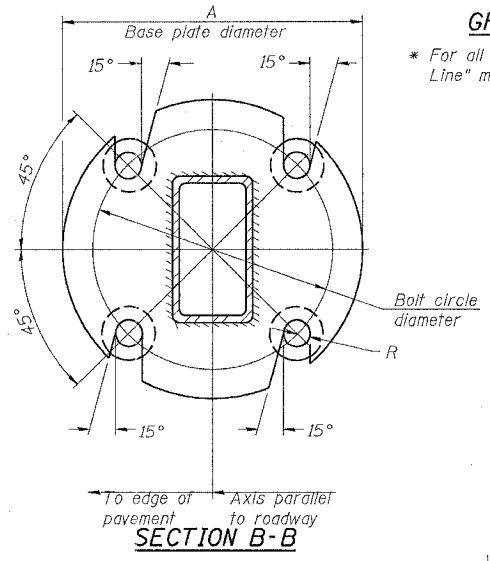
NUMBER	REVISION	DATE



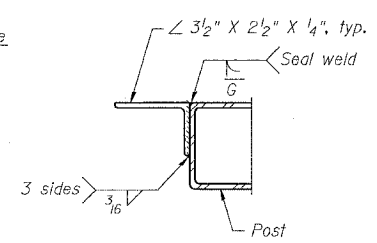
* Hot dip galvanized lifting loops or inserts may be placed in precast foundation inside the spiral reinforcement but not within 6" of the long axis of the post. Inserts must be adequate for safely lifting a total of 3,000 pounds and must not interfere with installation of the stub post or proper functioning of the slip base.



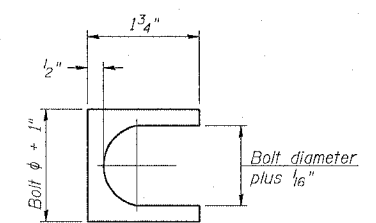
ELEVATION GROUND LINE & STUB POST
 * For all "Point 1" and "Point 2" locations, "Clearance Line" must be at or above top of stub post.



SECTION B-B



SECTION C-C
 Weld continuously around corners.



SHIM DETAIL
 Furnish two 0.01" thick and two 0.03" thick stainless steel or brass (ASTM B36) shims per post.

BREAK-AWAY TUBULAR STEEL SIGN POSTS AND DETAILS

PLOT DATE = Tue Feb 01 10:11:57 2005
 FILE NAME = c:\projects\bat\sign\sign sheets.dgn
 PLOTTER = HP DesignJet 500 / IN.
 REFERENCE = AREFA