

F.A.P. RTE.	SECTION	COUNTY	TOTAL SHEETS	SHEET NO.
840	(139Z-1)I	KANKAKEE	24	13
STA.	TO STA.			
FED. ROAD DIST. NO.	ILLINOIS	FED. AID PROJECT		

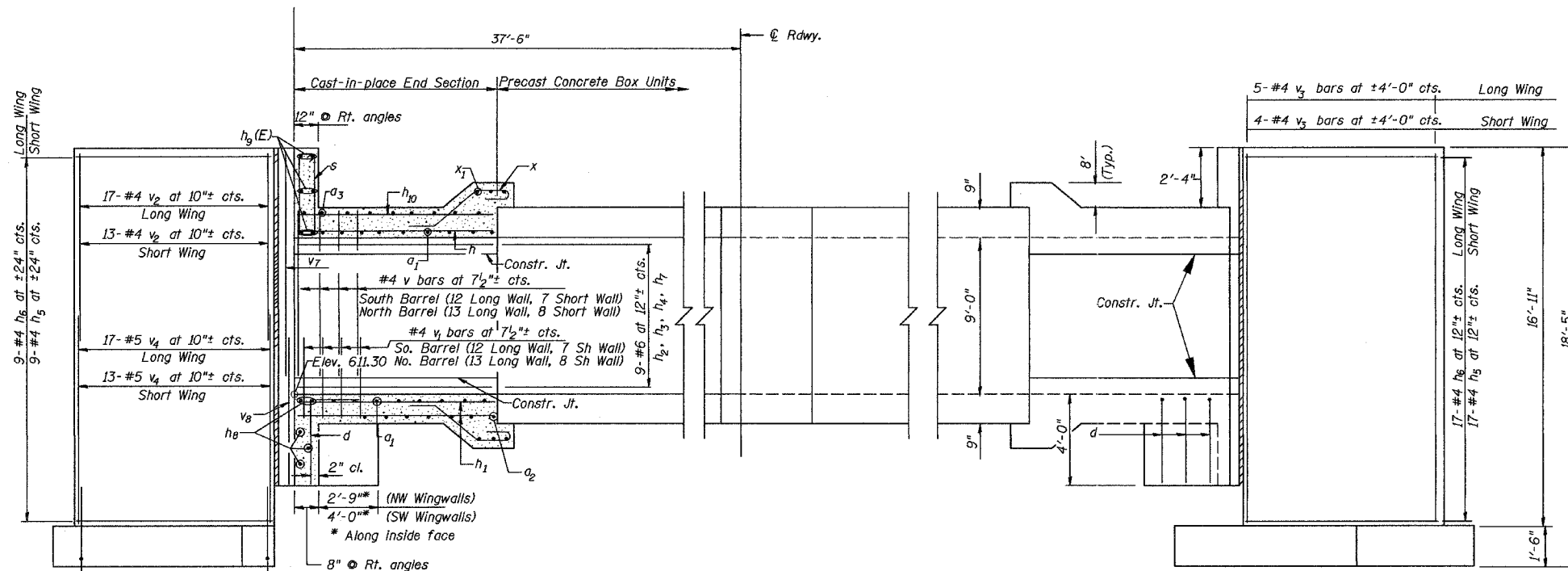
CONTRACT# 66131

BILL OF MATERIALS*

Bar	No.	Size	Length	Shape
a ₁	42	#8	12'-0"	
a ₂	6	#4	9'-3"	
a ₃	9	#5	9'-3"	
d	27	#4	5'-6"	
n(E)	28	#7	7'-6"	
n ₁ (E)	30	#6	3'-10"	
h	20	#7	7'-11"	
h ₁	36	#5	7'-11"	
h ₂	9	#6	6'-11"	
h ₃	9	#6	4'-11"	
h ₄	9	#6	7'-11"	
h ₅	26	#4	10'-2"	
h ₆	26	#4	13'-8"	
h ₇	9	#6	4'-2"	
h ₈	5	#6	20'-2"	
h ₉ (E)	6	#8	25'-2"	
h ₁₀	22	#4	7'-11"	
i	63	#6	9'-7"	
v	40	#4	9'-1"	
v ₁	40	#4	2'-4"	
v ₂	30	#4	10'-0"	
v ₃	9	#4	16'-7"	
v ₄	30	#5	8'-3"	
v ₇	6	#5	11'-3"	
v ₈	6	#5	6'-3"	
w	18	#5	13'-8"	
w ₁	18	#5	10'-2"	
x	64	#4	5'-6"	
x ₁	12	#4	16'-1"	
s	26	#4	7'-9"	
ESTIMATED CONCRETE			47.8 CY	

*INFORMATION GIVEN IN TABLE IS FOR INFORMATION ONLY

Reinforcement bars designated (E) shall be epoxy coated.



HALF LONG SECTION
Showing Reinforcement

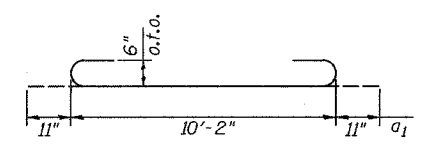
HALF ELEVATION
Showing Dimensions

REINFORCEMENT FRONT FACE

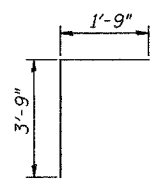
Note: Dimensions shown are along $\text{\textcircled{C}}$ Culvert, U.N.O.

Long Wing 17-#4 v₂ at 10"± cts.
Short Wing 13-#4 v₂ at 10"± cts.
Long Wing 17-#5 v₄ at 10"± cts.
Short Wing 13-#5 v₄ at 10"± cts.
Long Wing 16-#7 n(E) bars at 10"± cts.
Alternate with 17-#6 n₁(E) bars at 10"± cts.
Short Wing 12-#7 n(E) bars at 10"± cts.
Alternate with 13-#6 n₁(E) bars at 10"± cts.

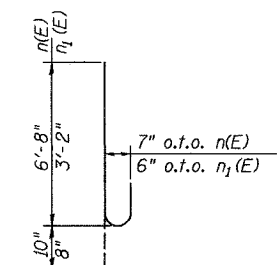
REINFORCEMENT BACK FACE



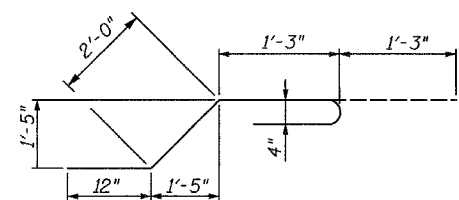
BAR a₁



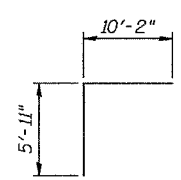
BAR d



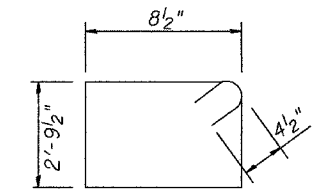
BARS n(E) AND n₁(E)



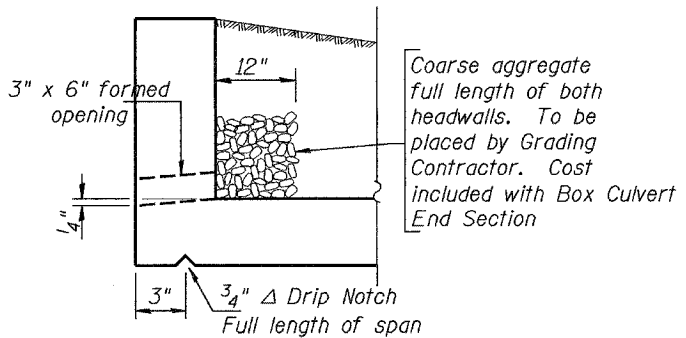
BAR x



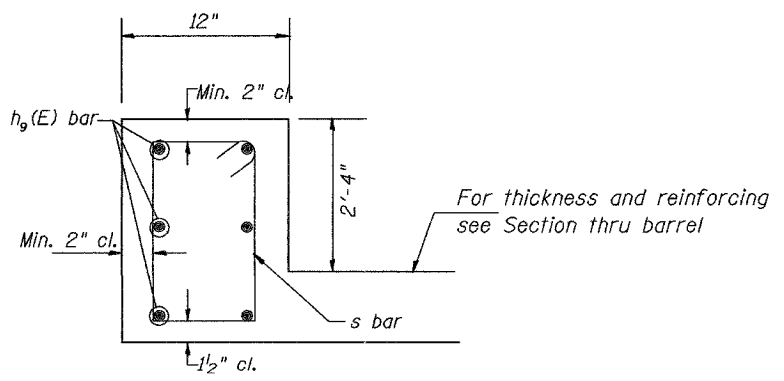
BAR x₁



BAR s



DRAIN DETAIL



SECTION D-D

REVISIONS	
NAME	DATE
BDD	9/20/04
BDD	1/31/05

ILLINOIS DEPARTMENT OF TRANSPORTATION
BOX CULVERT END SECTION, CULVERT NO. 1

SCALE: VERT. _____
HORIZ. _____
DATE _____ DRAWN BY _____
CHECKED BY _____

January 31, 2005
ep05899/sheets.dgn