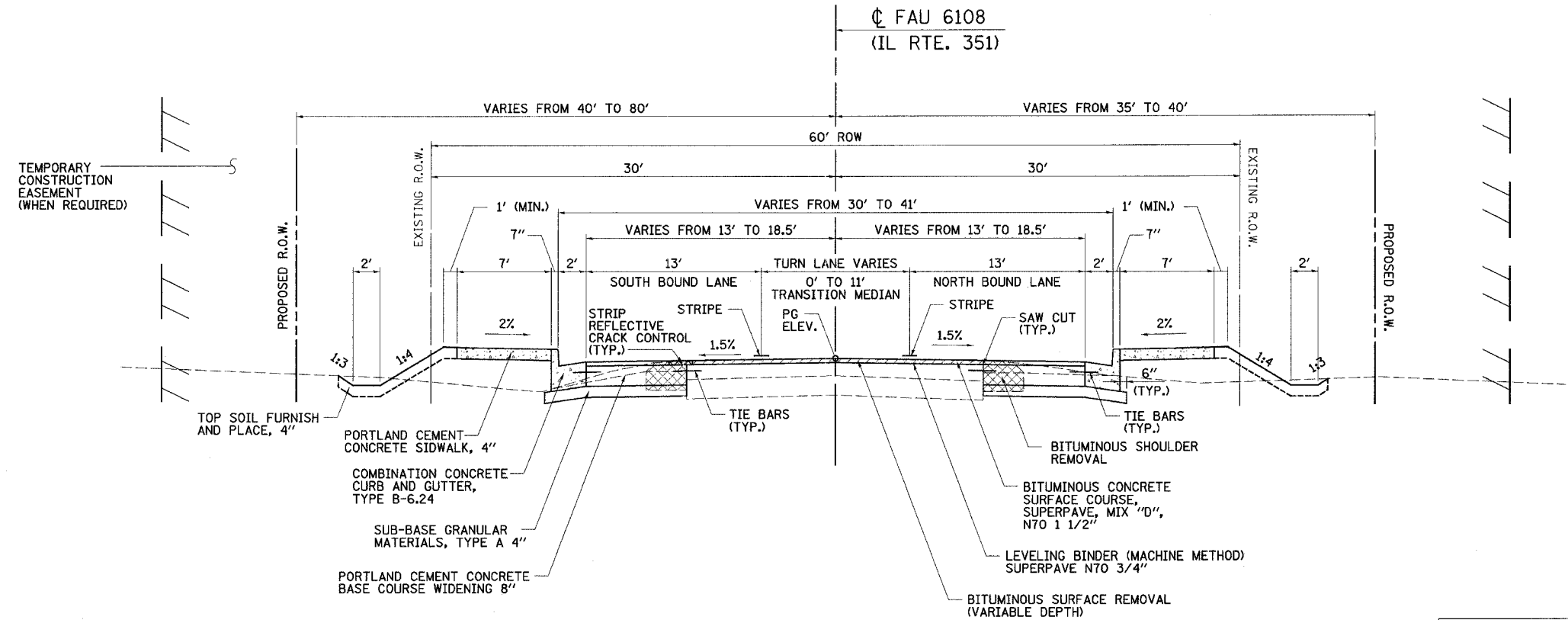
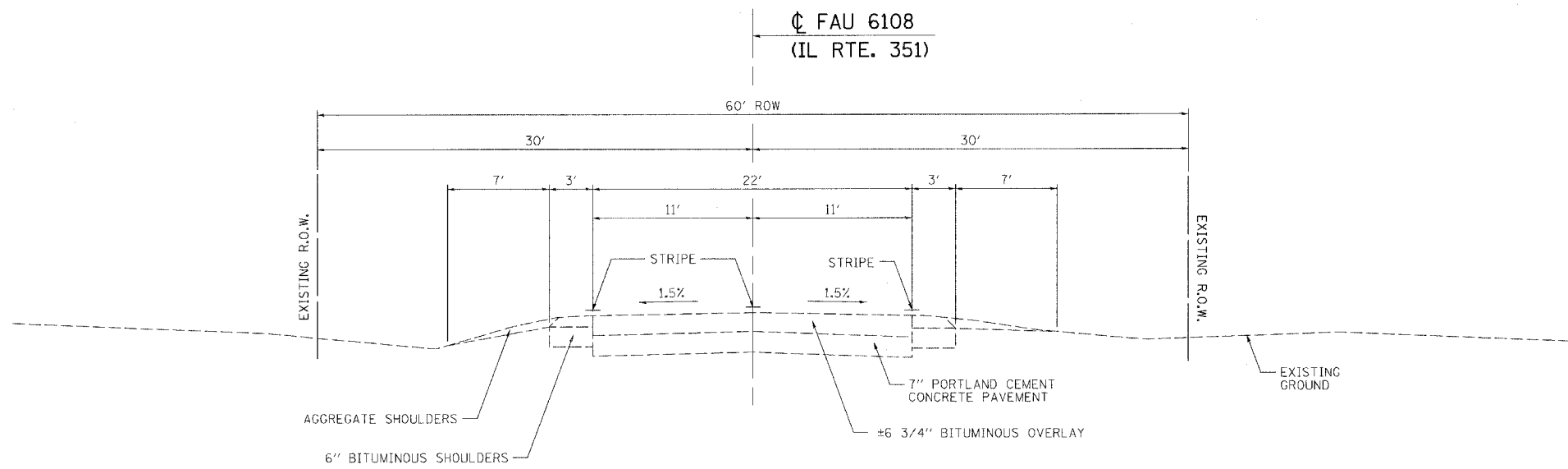


DESIGN		
INT.	DATE	REASON

PLOTS & CHECKS			
INT.	DATE	NO.	REASON

CHECKS		
INT.	DATE	REASON

F.A.U. RTE.	SECTION	COUNTY	TOTAL SHEETS	SHEET NO.
6108	***	LA SALLE	679	19
STA.	TO STA.			
FED. ROAD DIST. NO.	ILLINOIS	FED. AID PROJECT		
*** (70X,71X)RS-1, (71X-VBR)DM CONTRACT NO. 66225				



REVISIONS	
NAME	DATE

ILLINOIS DEPARTMENT OF TRANSPORTATION

TYPICAL SECTIONS

FAU 6108 (IL RTE. 351)
 SEC. (70X,71X)RS-1, (71X-VBR)DM
 LA SALLE COUNTY

SCALE: VERT. DRAWN BY: BISHOP
 HORIZ. DESIGNED BY: KUNTZMAN
 DATE: 03/12/04 CHECKED BY: COLBROOK

GREENE & BRADFORD, INC.
 OF SPRINGFIELD
 REGISTERED PROFESSIONAL ENGINEERS
 PROFESSIONAL & STRUCTURAL ENGINEERING CORPORATION
 2011 193-8344, 2011 782-8277 Ill. E. Lic. # 0018998-0001-0001-0001

COMPUTER FILE NO.
TYPICALS-7
 PROJECT: 01194.B.S
 04/26/04-RPB

\\parks_1\country\print\typicals.dgn 12/27/2004 10:32:45 PM User: jgsgj