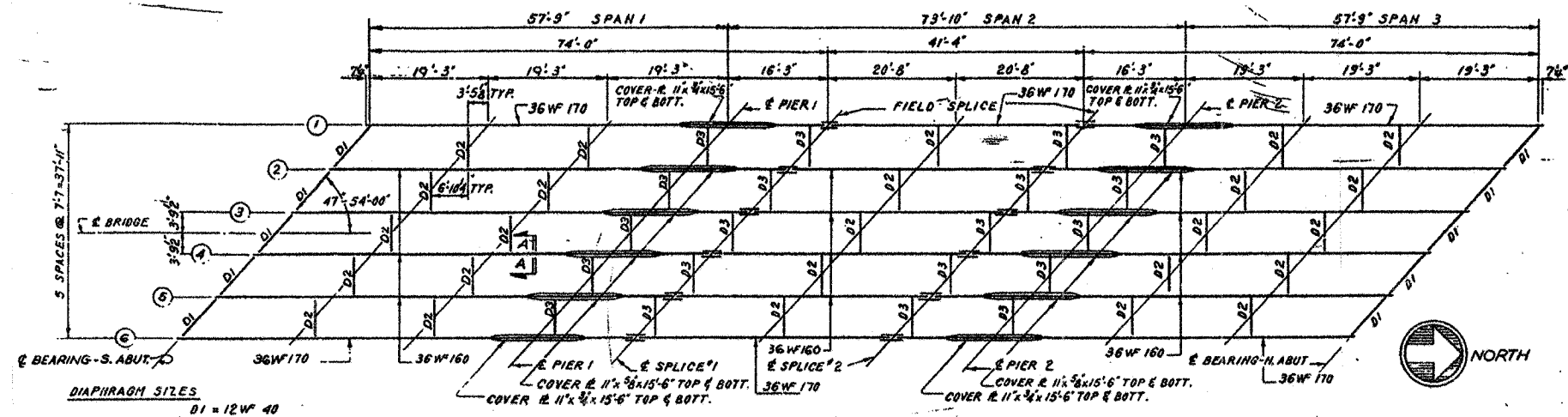


DESIGN	INT.	DATE	REASON

F.A.U. RTE.	SECTION	COUNTY	TOTAL SHEETS	SHEET NO.
6108	****	LASALLE	679	258

STA. _____ TO STA. _____
 FED. ROAD DIST. NO. ILLINOIS FED. AID PROJECT
 ***** (70X, 71XRS-1, 171X-VBRIDM)
 CONTRACT NO. 66225

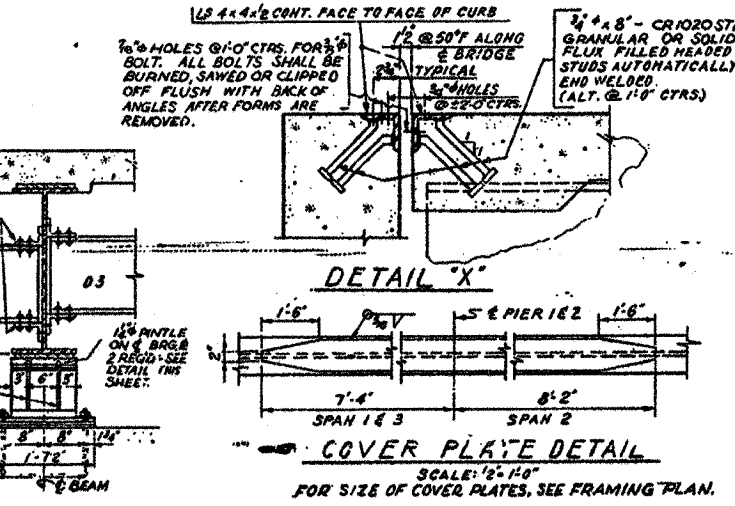
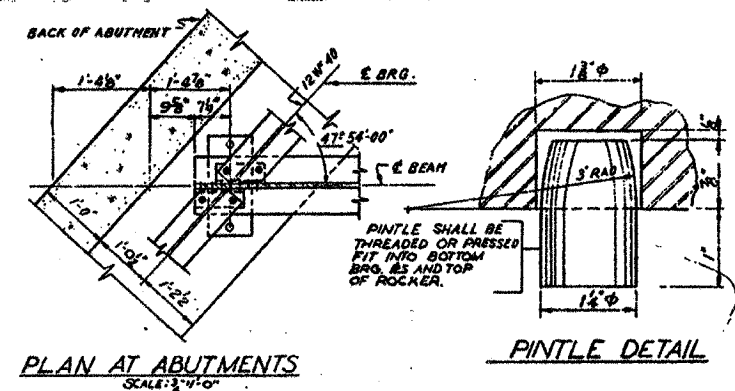
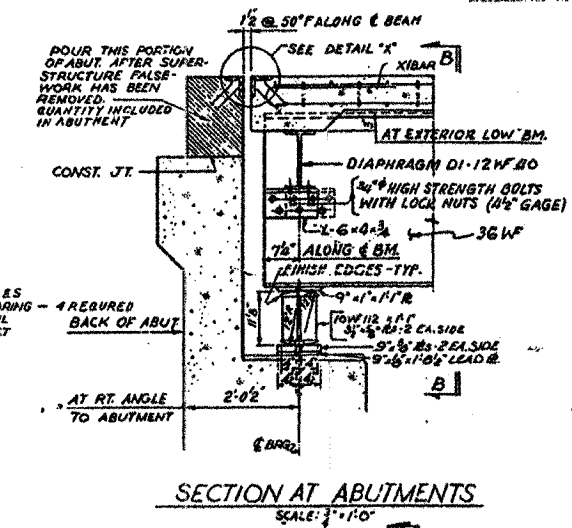
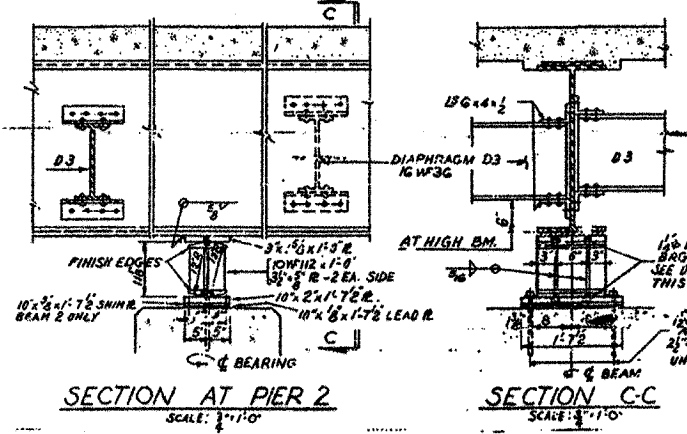
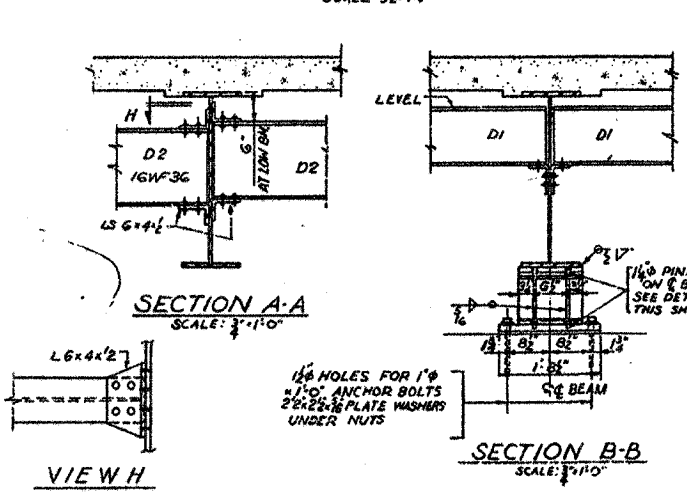
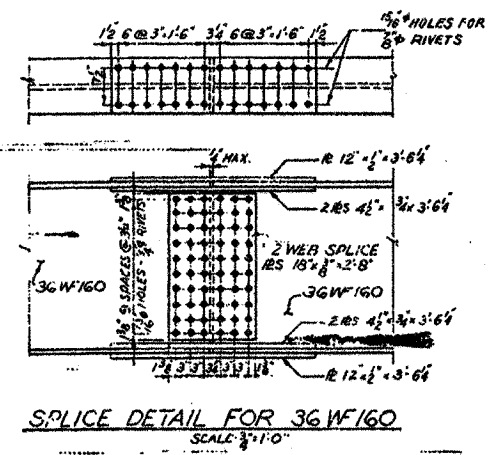
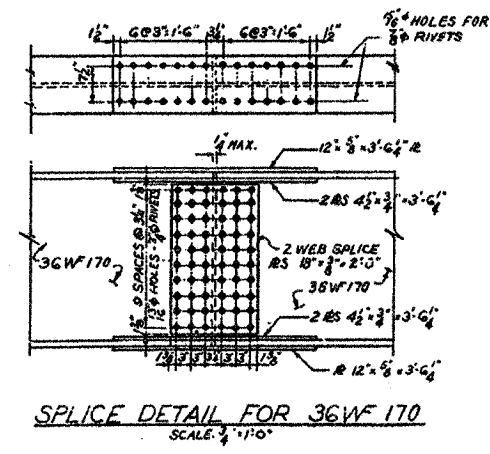


TOP OF BEAM ELEVATIONS (UNDEFLECTED BEAMS)
FOR FABRICATION ONLY

BEAM LOCATION	1	2	3	4	5	6
BEARING-S. ABUT.	629.624	629.678	629.670	629.561	629.549	629.671
PIER NO. 1	630.386	630.459	630.473	630.384	630.192	629.940
SPLICE NO. 1	630.600	630.679	630.699	630.615	630.429	630.183
SPLICE NO. 2	631.021	631.116	631.149	631.081	630.910	630.678
PIER NO. 2	631.138	631.239	631.278	631.216	631.050	630.824
BEARING-N. ABUT.	631.558	631.676	631.736	631.694	631.549	631.544

NOTE:
 ELEVATIONS ARE BASED ON A DIMENSION OF 7/8" FROM THE THEORETICAL TOP OF SLAB TO TOP OF BEAMS AT E. OF ABUTMENT BEARINGS AND AT E. OF SPLICES. THE TOP FLANGE IS CONSIDERED A STRAIGHT LINE BETWEEN THESE POINTS.

PLOTS & CHECKS	INT.	DATE	REASON



FILE NAME	DATE	BY

CHECKS	INT.	DATE	REASON

ILLINOIS DEPARTMENT OF TRANSPORTATION
EXISTING BRIDGE PLANS
 EXISTING (SN 050-0025)

SCALE: VERT. _____
 HORIZ. _____
 DATE: 01/03/03

DRAWN BY: JETT
 DESIGNED BY: KUNTZMAN
 CHECKED BY: COLBROOK

COMPUTER FILE NO. EX BRIDGE-4
 PROJECT 01194.B.S
 10/30/03-JJJ

REVISIONS
 NAME DATE