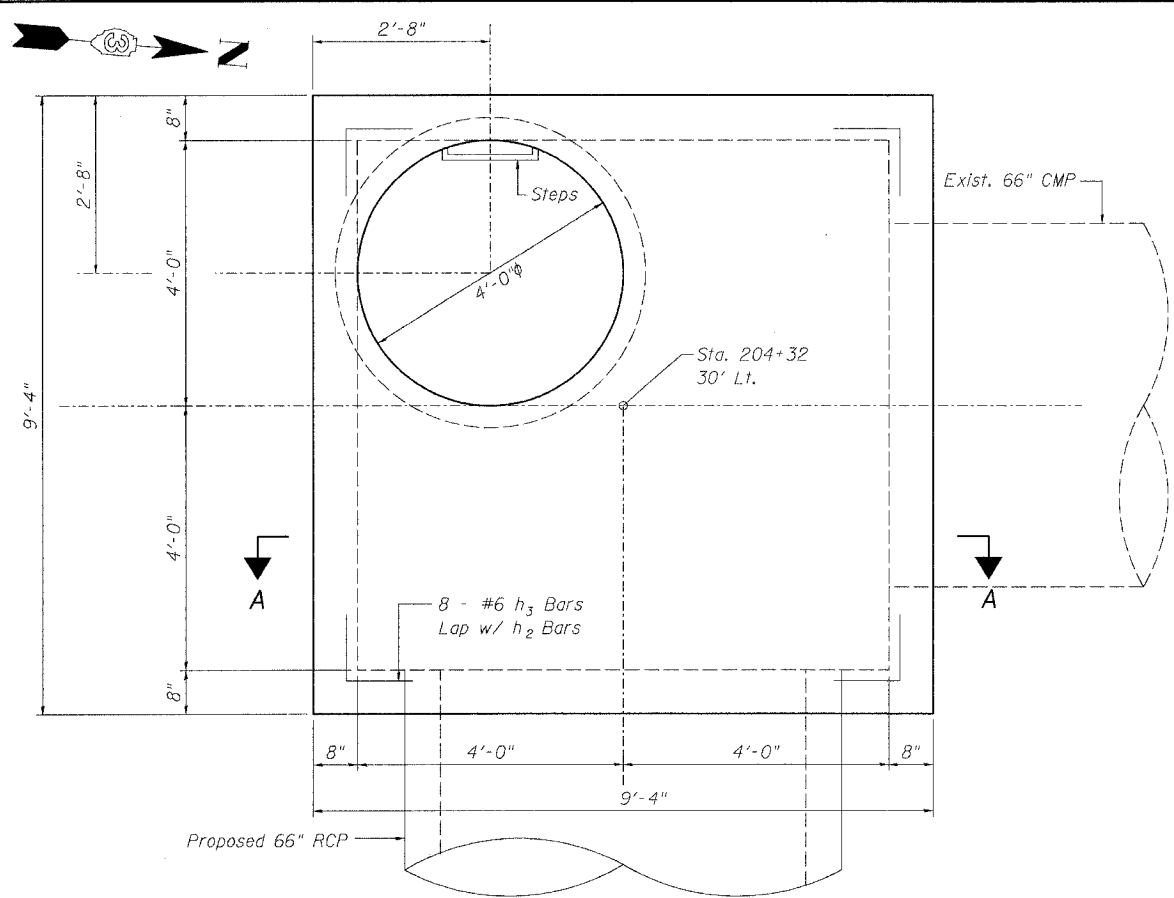


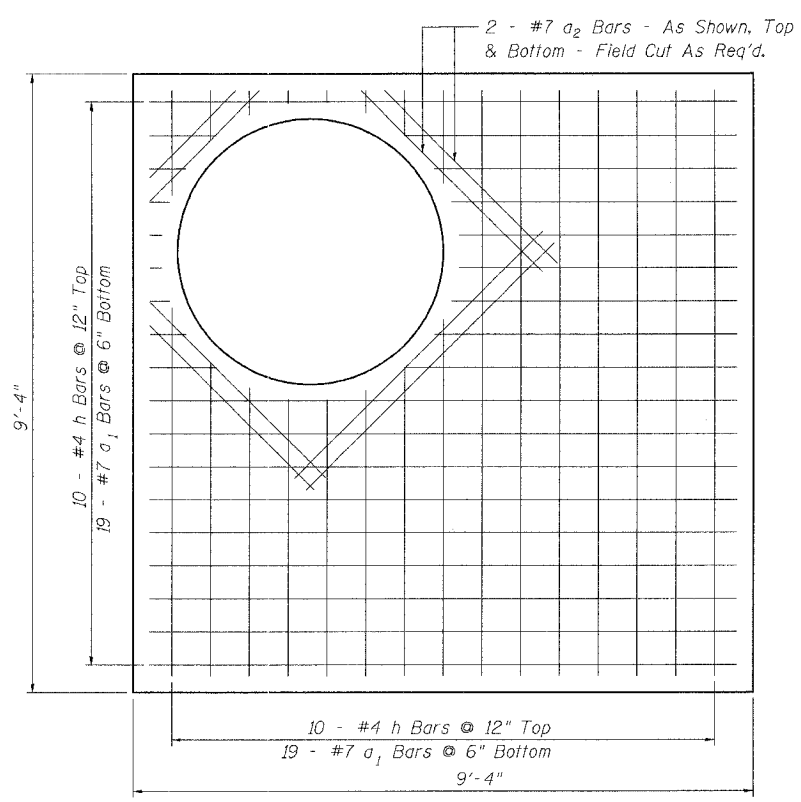
F.A.U. RTE.	SECTION	COUNTY	TOTAL SHEETS	SHEET NO.
6108	***	LASALLE	679	264
STA. 202+00		TO STA. 207+00		
FED. ROAD DIST. NO. ILLINOIS FED. AID PROJECT				
*** (70X, 71XRS-1, 71X-VBRJDM)				
CONTRACT NO. 66225				

BILL OF MATERIAL

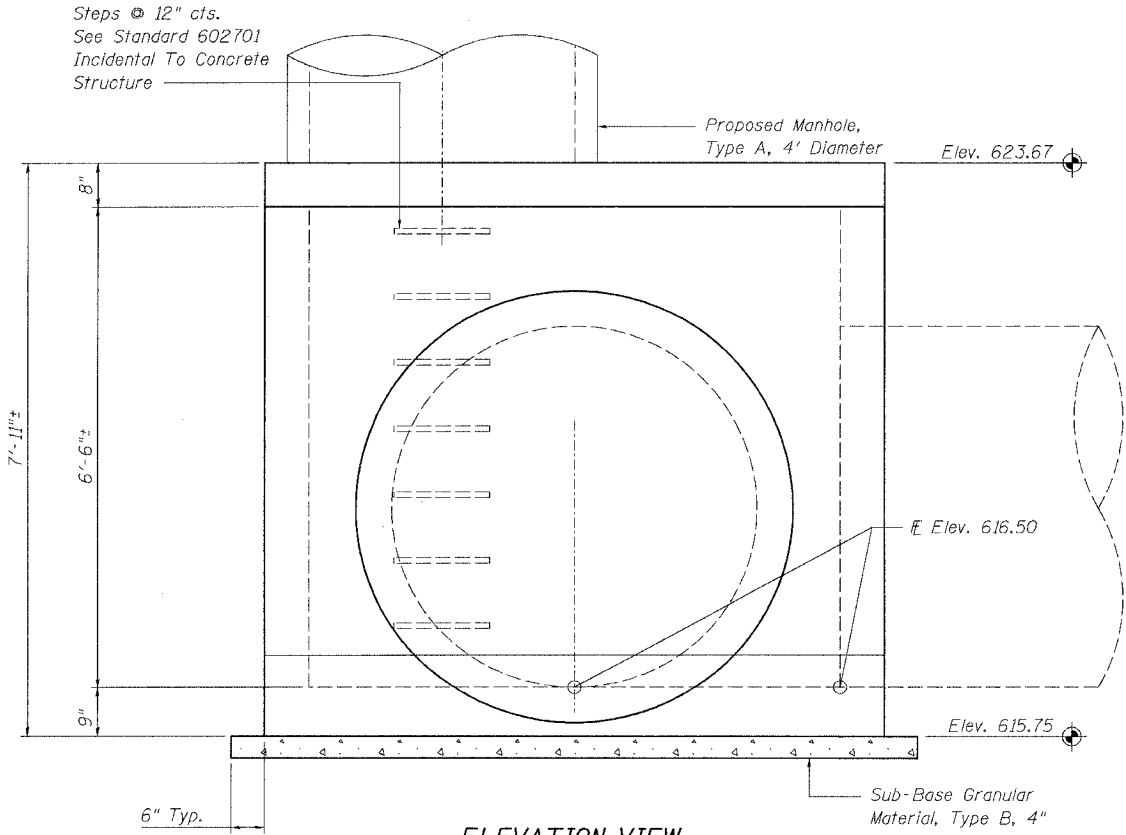
Bar	No.	Size	Length	Shape
a ₁	76	#7	10'-8"	
a ₂	16	#7	6'-0"	
h	20	#4	9'-1"	
h ₁	20	#5	9'-1"	
h ₂	32	#6	9'-1"	
h ₃	32	#6	4'-0"	
h ₄	16	#6	5'-0"	
v ₁	76	#4	7'-8"	
Concrete Structures			Cu. Yd.	8.4
Reinforcement Bars			Pound	3300
Structure Excavation			Cu. Yd.	122.5
Porous Granular Backfill			Cu. Yd.	78.8
Sub-Base Granular Material, Type B 4"			Sq. Yd.	11.9



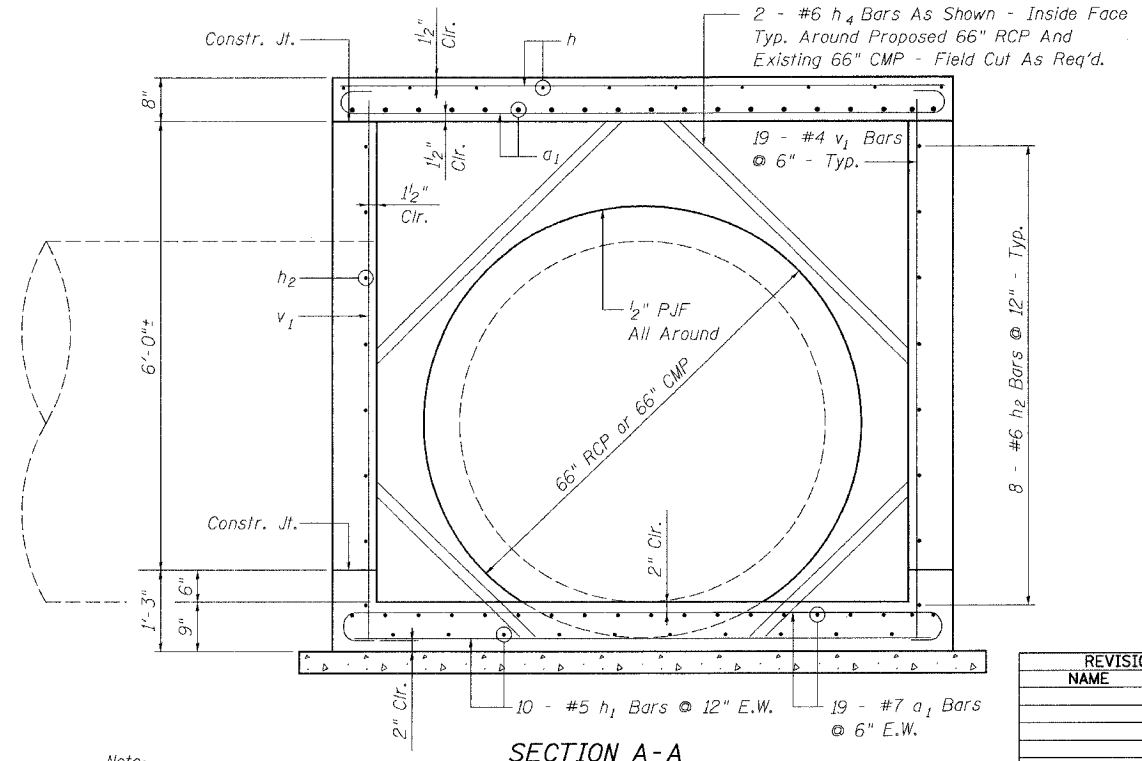
PLAN VIEW



TOP SLAB REINFORCING

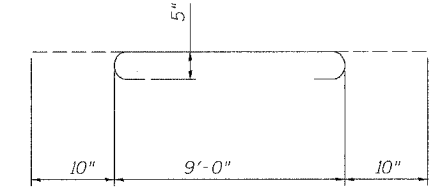


ELEVATION VIEW

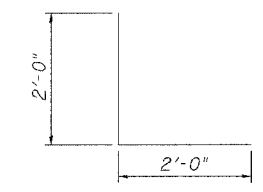


SECTION A-A

Note:
Field Cut h₂ Bars And v Bars As Req'd.



BAR a₁



BAR h₃

REVISIONS	
NAME	DATE

ILLINOIS DEPARTMENT OF TRANSPORTATION
DRAINAGE STRUCTURE - J2
STA. 204+32, 30' LT.
 FAU 6108 (IL. RTE. 351)
 SECTION (70X, 71XRS-1, 71X-VBRJDM)
 LASALLE COUNTY

SCALE: VERT. HORIZ. DATE: 12/01/03

DRAWN BY: HEBERLING
 DESIGNED BY: WATKINS
 CHECKED BY: BOTT

COMPUTER FILE NO. DSJ2.dgn
 PROJECT: 01194_B.S
 12/01/03 - DLH

GREENE & BRADFORD, INC.
 OF SPRINGFIELD
 REGISTERED PROFESSIONAL ENGINEERS
 LICENSE NO. 001194
 PROFESSIONAL SEAL FILE NO. 001194
 ILLINOIS PROFESSIONAL ENGINEERS BOARD
 501 N. 5TH ST., SPRINGFIELD, IL 62761-1001
 TEL: 217-223-8100 FAX: 217-223-8101