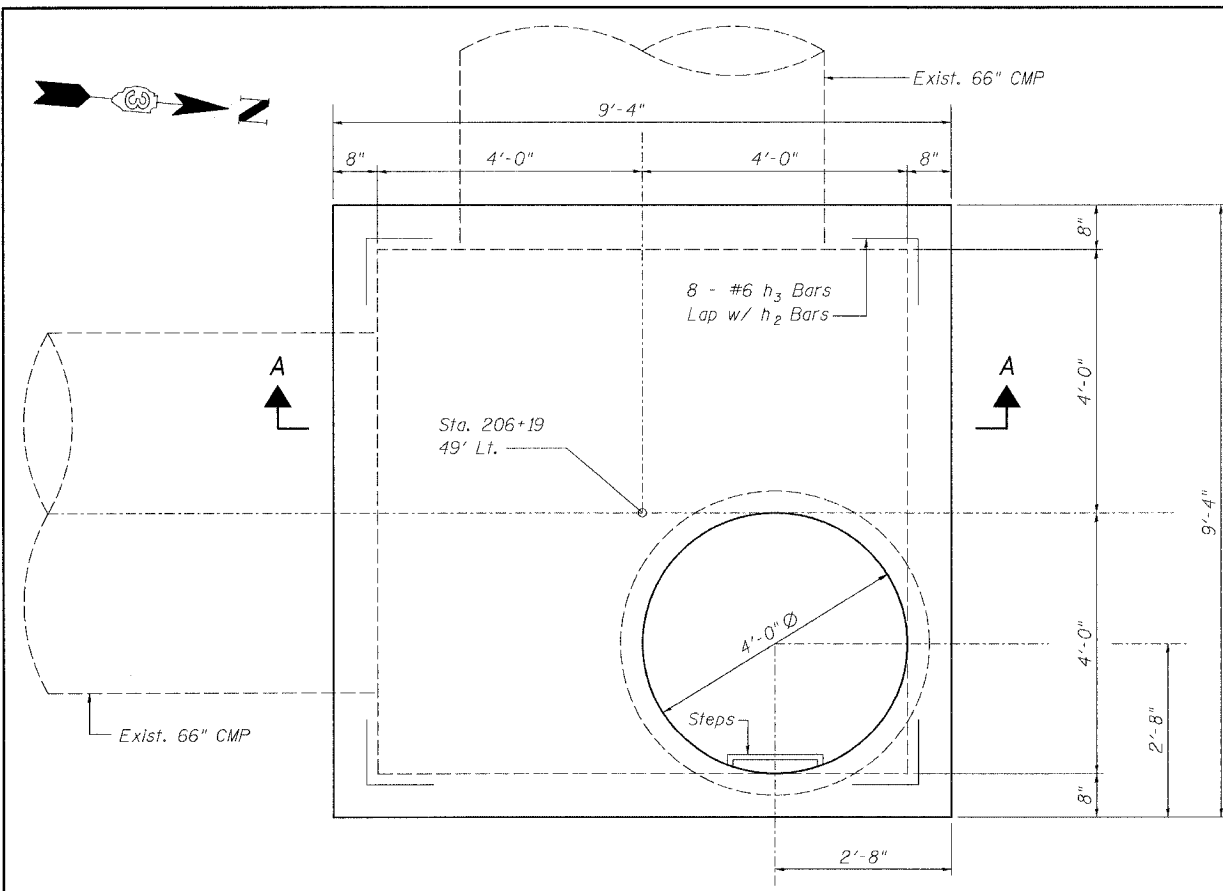
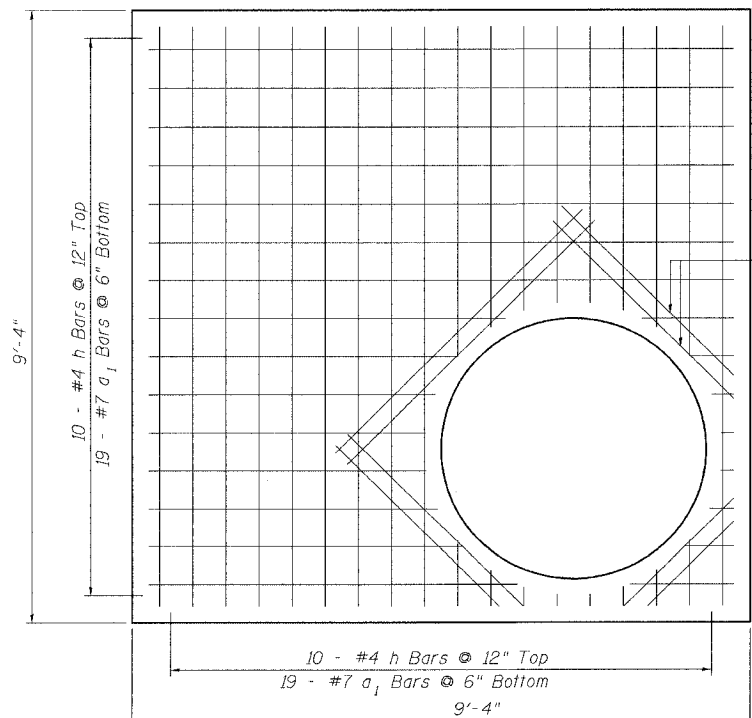


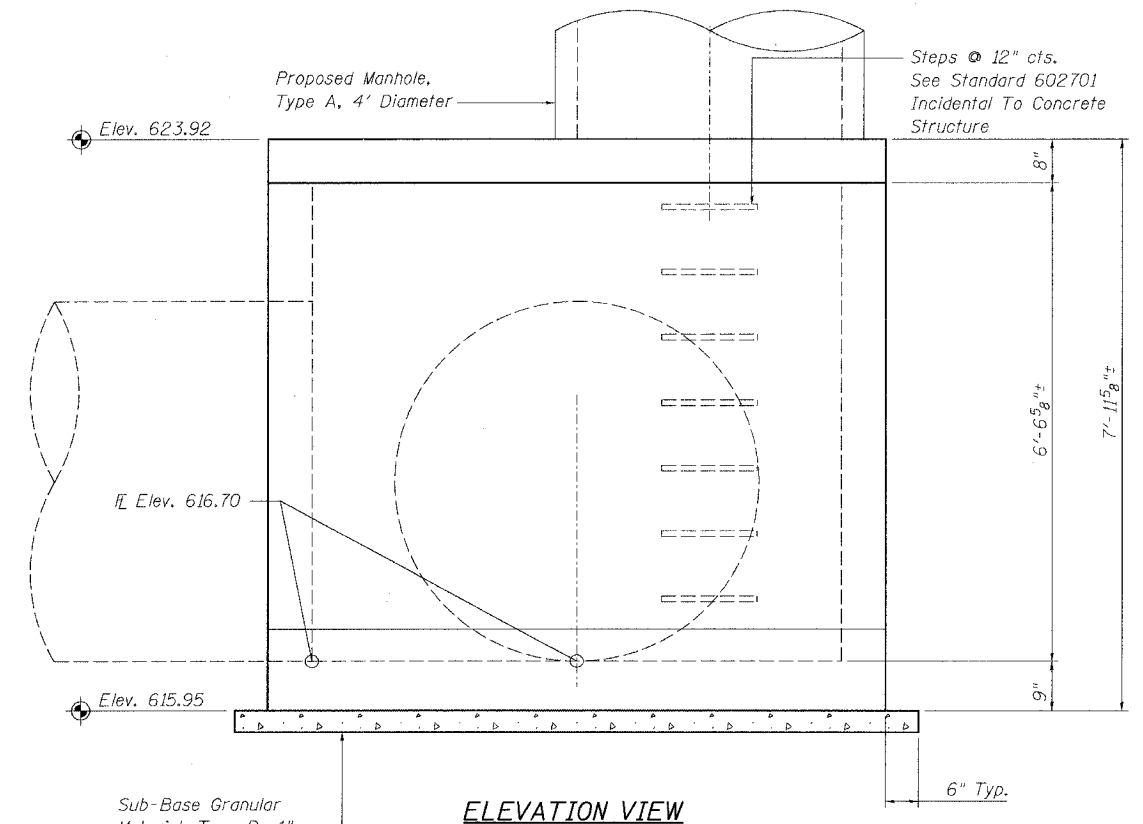
F.A.U. RTE.	SECTION	COUNTY	TOTAL SHEETS	SHEET NO.
6108	***	LA SALLE	679	265
STA. 202+00		TO STA. 207+00		
FED. ROAD DIST. NO.	ILLINOIS	FED. AID PROJECT		
*** (70X, 71X)RS-1, (71X-VBR)DM				
CONTRACT NO. 66225				



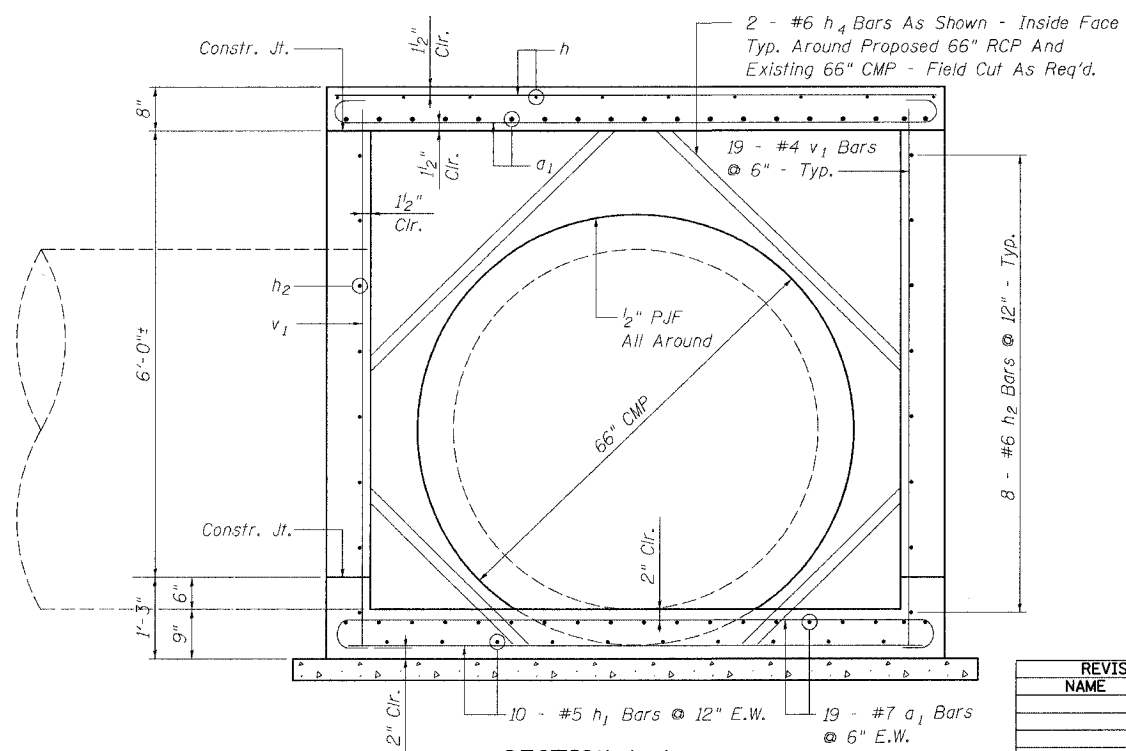
PLAN VIEW



TOP SLAB REINFORCING



ELEVATION VIEW

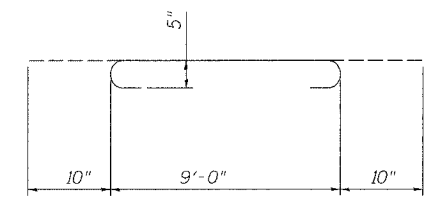


SECTION A-A

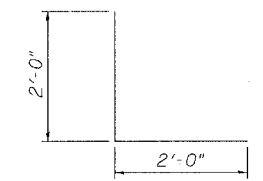
Note:
Field Cut h₂ Bars And v Bars As Req'd.

BILL OF MATERIAL

Bar	No.	Size	Length	Shape
a ₁	76	#7	10'-8"	
a ₂	16	#7	6'-0"	
h	20	#4	9'-1"	
h ₁	20	#5	9'-1"	
h ₂	32	#6	9'-1"	
h ₃	32	#6	4'-0"	
h ₄	16	#6	5'-0"	
v ₁	76	#4	7'-8"	
Concrete Structures Cu. Yd. 8.7				
Reinforcement Bars Pound 3300				
Structure Excavation Cu. Yd. 122.8				
Porous Granular Backfill Cu. Yd. 78.9				
Sub-Base Granular Material, Type B 4" Sq. Yd. 11.9				



BAR a₁



BAR h₃

REVISIONS	
NAME	DATE

ILLINOIS DEPARTMENT OF TRANSPORTATION
DRAINAGE STRUCTURE - J3
STA. 206+19, 49' LT.
 FAU 6108 (IL RTE. 351)
 SECTION (70X, 71X)RS-1, (71X-VBR)DM
 LASALLE COUNTY

VERT. SCALE: HORIZ.
 DATE: 12/01/03

DRAWN BY: HEBERLING
 DESIGNED BY: WATKINS
 CHECKED BY: BOTT

GREENE & BRADFORD, INC.
 OF SPRINGFIELD

COMPUTER FILE NO. DSJ3.dgn
 PROJECT: 01194.B.S
 12/01/03 - DLH