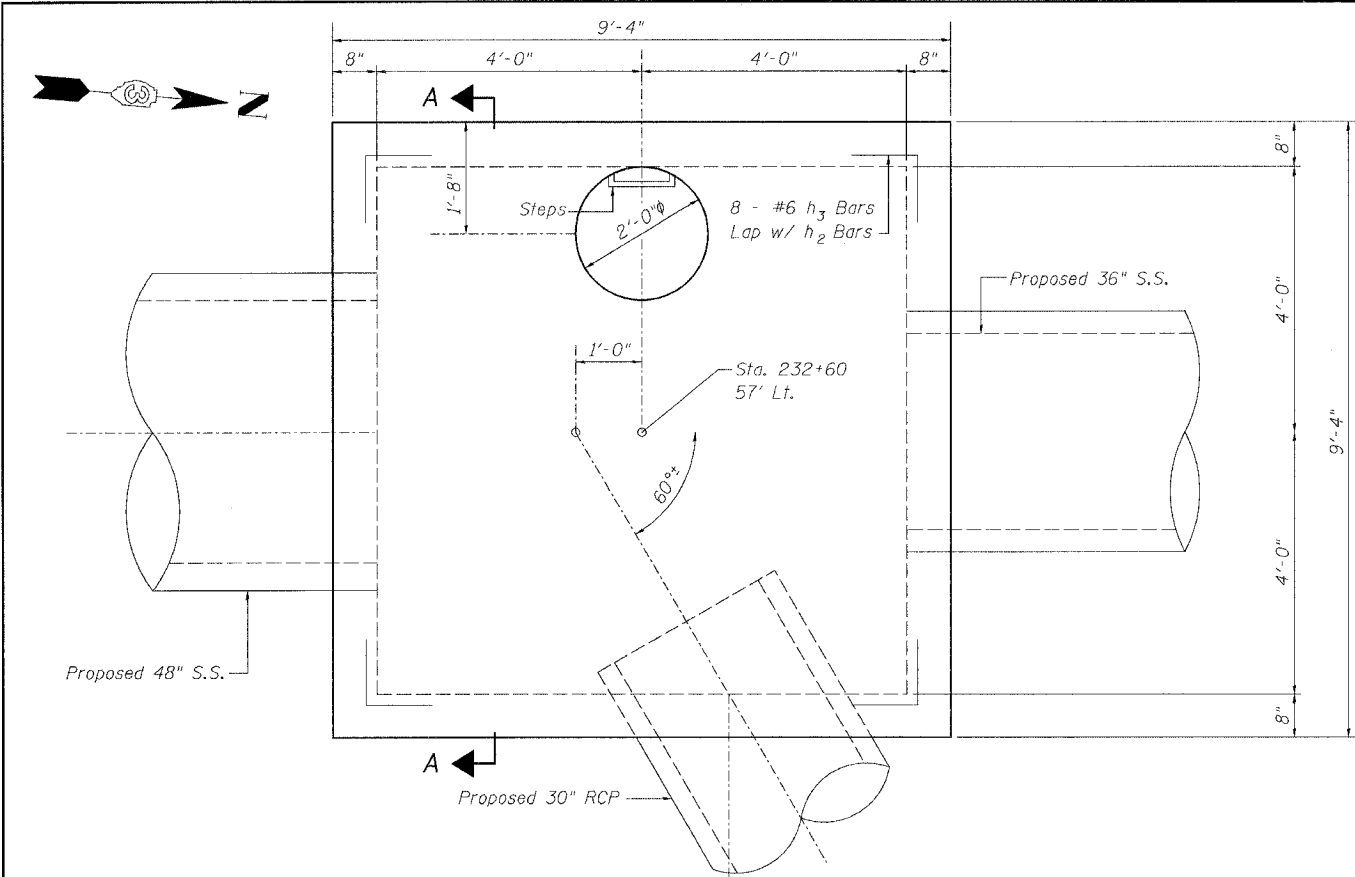


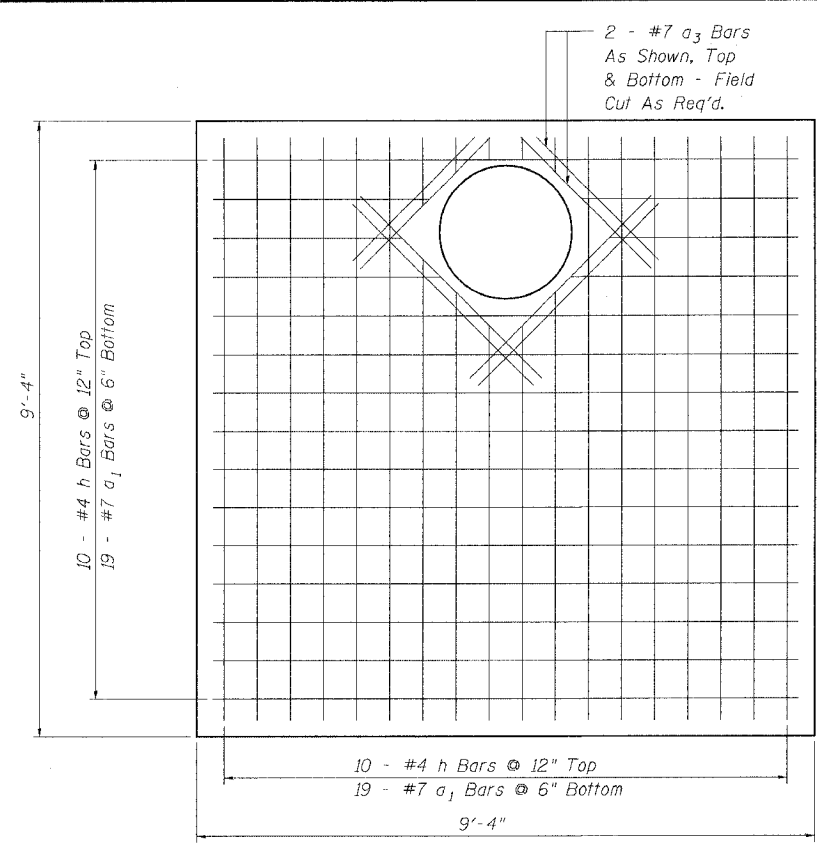
F.A.U. RTE. 6108	SECTION ***	COUNTY LA SALLE	TOTAL SHEETS 679	SHEET NO. 266
STA. 202+00 TO STA. 207+00		ILLINOIS FED. AID PROJECT		
CONTRACT NO. 66225				

**BILL OF MATERIAL**

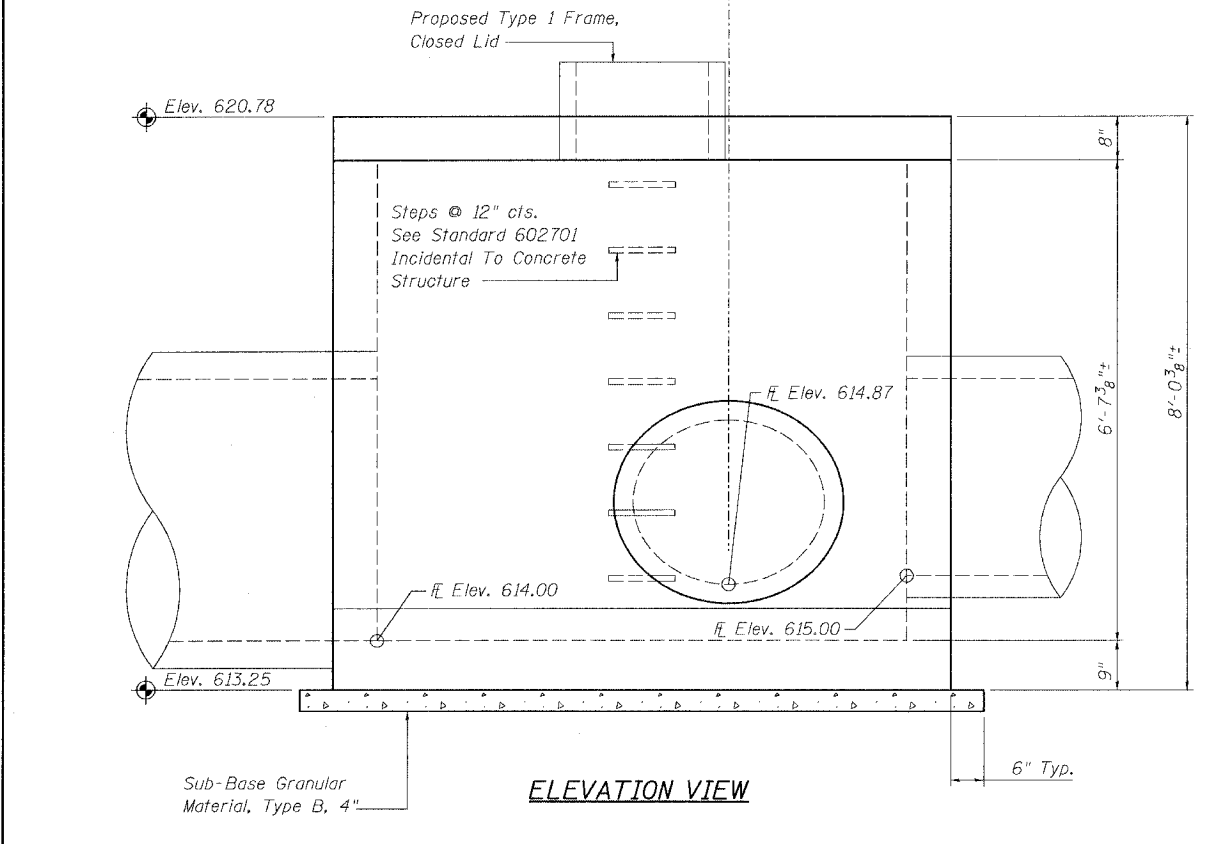
Bar	No.	Size	Length	Shape
a <sub>1</sub>	76	#7	10'-8"	
a <sub>3</sub>	16	#7	4'-0"	
h	20	#4	9'-1"	
h <sub>1</sub>	20	#5	9'-1"	
h <sub>2</sub>	32	#6	9'-1"	
h <sub>3</sub>	32	#6	5'-0"	
h <sub>4</sub>	24	#6	5'-0"	
v <sub>2</sub>	76	#4	7'-9"	
Concrete Structures			Cu. Yd.	9.3
Reinforcement Bars			Pound	3280
Structure Excavation			Cu. Yd.	57.2
Sub-Base Granular Material, Type B 4"			Sq. Yd.	11.9



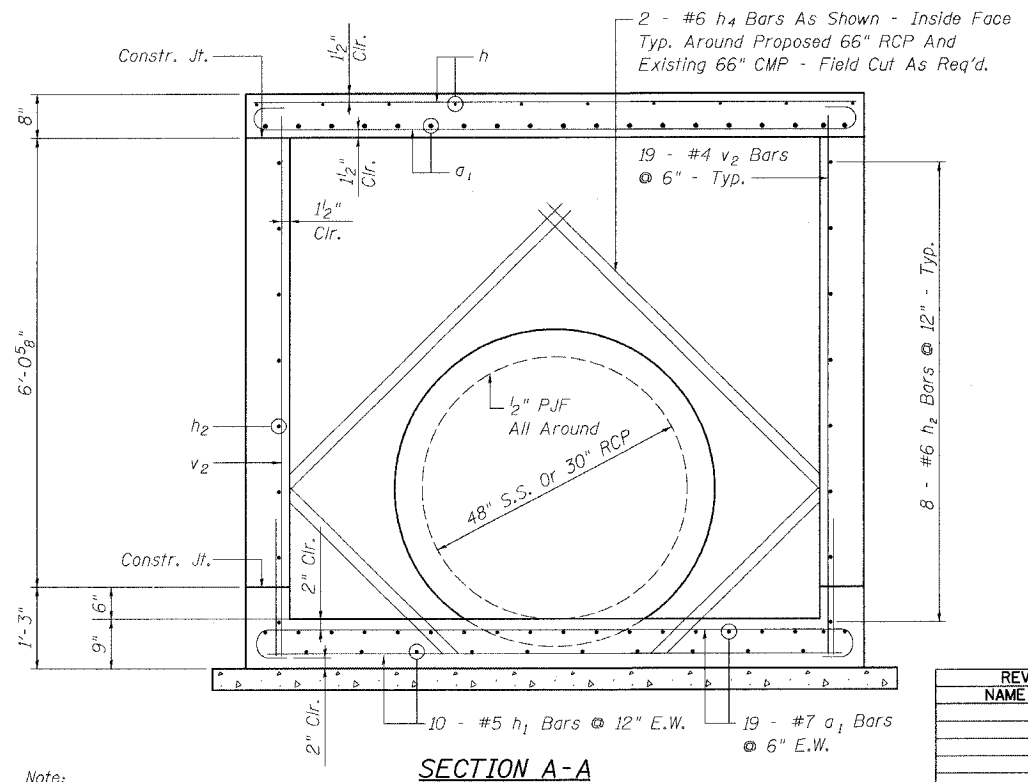
**PLAN VIEW**



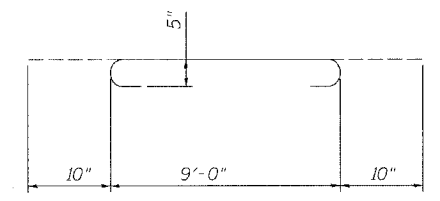
**TOP SLAB REINFORCING**



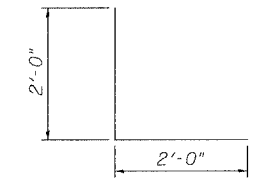
**ELEVATION VIEW**



**SECTION A-A**



**BAR a<sub>1</sub>**



**BAR h<sub>3</sub>**

REVISIONS	
NAME	DATE

ILLINOIS DEPARTMENT OF TRANSPORTATION  
**DRAINAGE STRUCTURE - J4**  
**STA. 232+60, 57' LT.**  
 FAU 6108 (IL. RTE. 351)  
 SECTION (70X, 71XRS-1, (71X-VBR)DM  
 LASALLE COUNTY

SCALE: VERT. 1"=1'  
 HORIZ. 1"=10'  
 DATE: 12/01/03

DRAWN BY: HEBERLING  
 DESIGNED BY: WATKINS  
 CHECKED BY: BOTT

COMPUTER FILE NO. DSJ4  
 PROJECT: 01194.B.S  
 12/01/03 - DLH

GREENE & BRADFORD, INC.  
 OF SPRINGFIELD  
 CIVIL & MECHANICAL ENGINEERS  
 1000 N. WASHINGTON ST., SUITE 200  
 SPRINGFIELD, ILLINOIS 62761  
 TEL: 217-223-1111 FAX: 217-223-1112