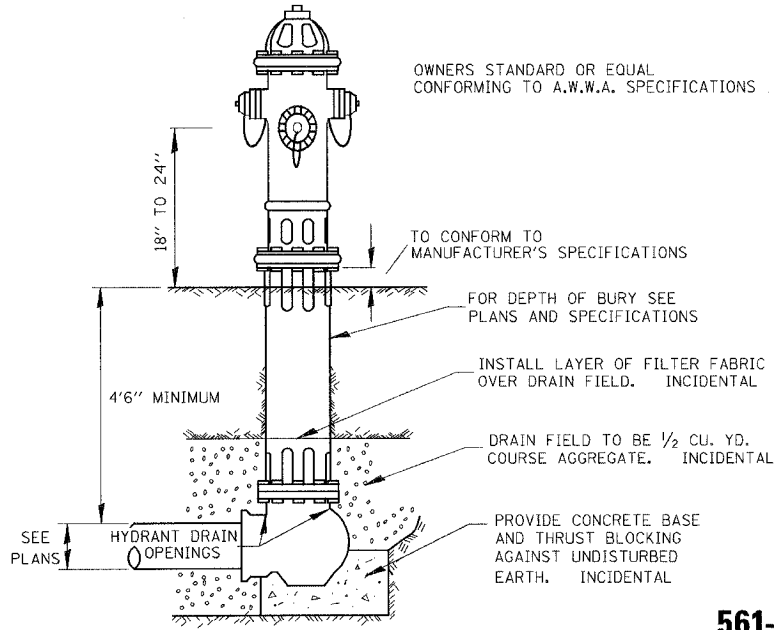


DESIGN		
INT.	DATE	REASON

PLOTS & CHECKS		
INT.	DATE	REASON

FILE NAME = \$FILES  
 PLOT SCALE = \$PLOTSCALE  
 PLOT DATE = \$DATE  
 PLOT TIME = \$TIME  
 OPERATION = \$USER

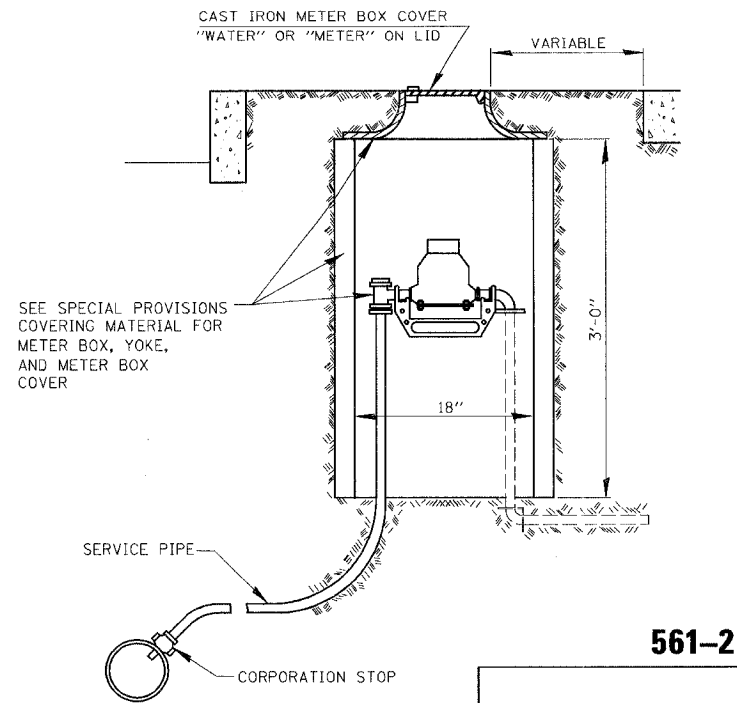
CHECKS		
INT.	DATE	REASON



**561-1**

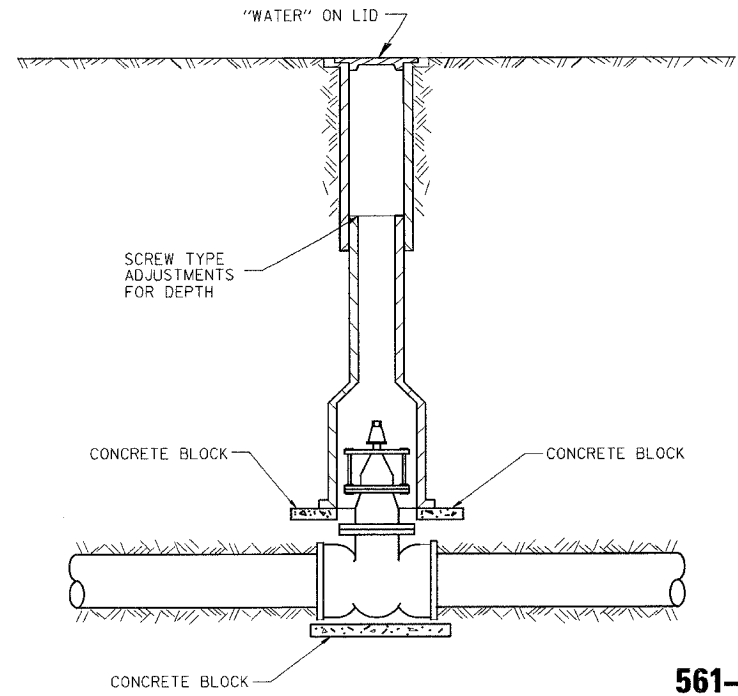
TYPICAL HYDRANT INSTALLATION

NOTE: CONCRETE BASE AND BLOCKING MATERIAL SHALL NOT BLOCK NOR OBSTRUCT HYDRANT DRAIN.



**561-2**

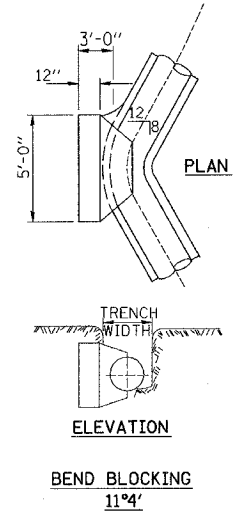
TYPICAL SINGLE METER BOX INSTALLATION



**561-3**

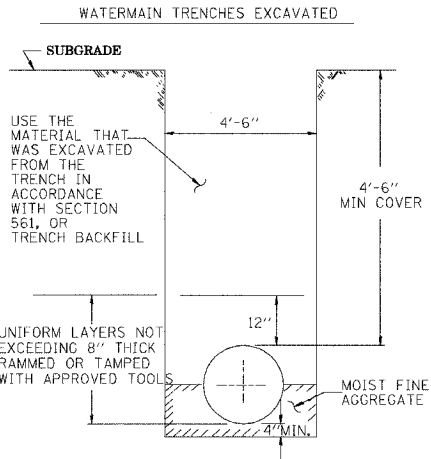
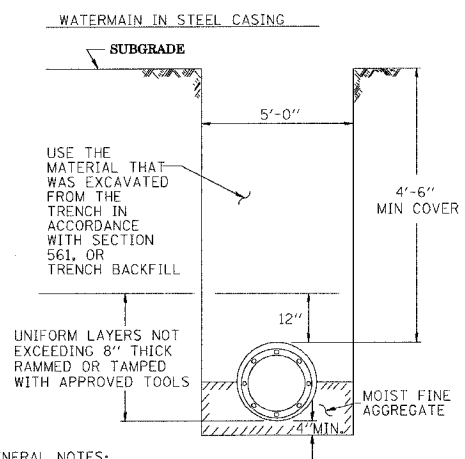
TYPICAL VALVE BOX INSTALLATION

F.A.U. RTE.	SECTION	COUNTY	TOTAL SHEETS	SHEET NO.
6108	***	LA SALLE	679	295
STA. TO STA.				
FED. ROAD DIST. NO. ILLINOIS FED. AID PROJECT				
*** (70X, 71X)RS-1, (71X-VBR)DM CONTRACT NO. 66225				



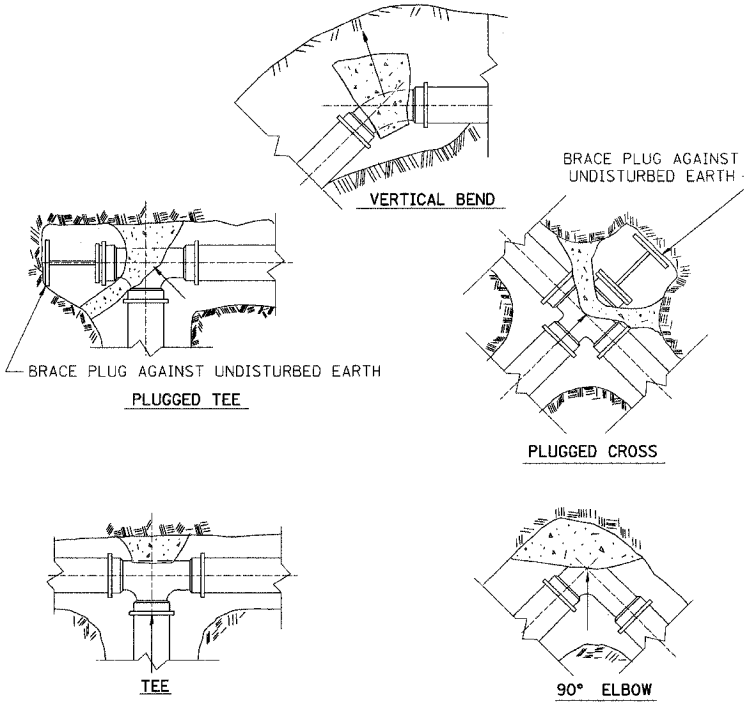
**561-6**

**WATERMAIN INSTALLATION REQUIREMENTS**



**GENERAL NOTES:**  
 1. ANY SOFT OR SPONGY MATERIAL ENCOUNTERED BELOW THE ELEVATION OF THE PIPE SHALL BE REMOVED AND REPLACED WITH WELL COMPACTED MOIST FINE AGGREGATE.  
 2. ANY ROCK ENCOUNTERED IN THE TRENCH SHALL BE REMOVED TO A DEPTH OF AT LEAST 8 INCHES BELOW THE PIPE GRADE AND REPLACED WITH WELL COMPACTED MOIST FINE AGGREGATE.  
 3. THE SIDES OF THE TRENCH MAY BE SLOPED OR BENCHED ABOVE A 5 FT TRENCH DEPTH OR ABOVE THE ELEVATION OF THE TOP OF PIPE, WHICHEVER IS GREATER, IN LIEU OF COMPLETE SHORING OR SHEETING OF THE FULL TRENCH DEPTH.  
**BACKFILL OPTIONS:**  
 METHOD 1: UNIFORM LAYERS NOT EXCEEDING 12" THICK RAMMED OR TAMPED WITH APPROVED TOOLS  
 METHOD 2: UNIFORM LAYERS NOT EXCEEDING 12" THICK INUNDATED OR DEPOSITED IN WATER  
 METHOD 3: FILL TRENCH WITH LOOSE MATERIAL THEN JET WITH WATER, 6 FT MAXIMUM SPACING OF HOLES

**561-4**



**561-5**

TYPICAL THRUST BLOCK INSTALLATIONS

**NOTES:**  
 ALL BLOCKS BEAR AGAINST UNDISTURBED EARTH  
 ALL BLOCKING SHALL BE 3000 P.S.I. POURED CONCRETE.  
 ARROWS INDICATE DIRECTION OF THRUST  
 ALL FITTINGS SHOWN IN PLAN EXCEPT VERTICAL BEND

ILLINOIS DEPARTMENT OF TRANSPORTATION  
**DETAILS**  
 FAU 6108 (IL. RTE. 351)  
 SECTION (70X, 71X)RS-1, (71X-VBR)DM  
 LASALLE COUNTY

REVISIONS	
NAME	DATE

SCALE: VERT.  
 HORIZ.  
 DATE: 06/06/03

DRAWN BY: MABUS  
 DESIGNED BY: BOTT  
 CHECKED BY: COLBROOK

COMPUTER FILE NO. STANDARDS-08  
 PROJECT: 01194\_B\_S  
 03/03/04-RPB