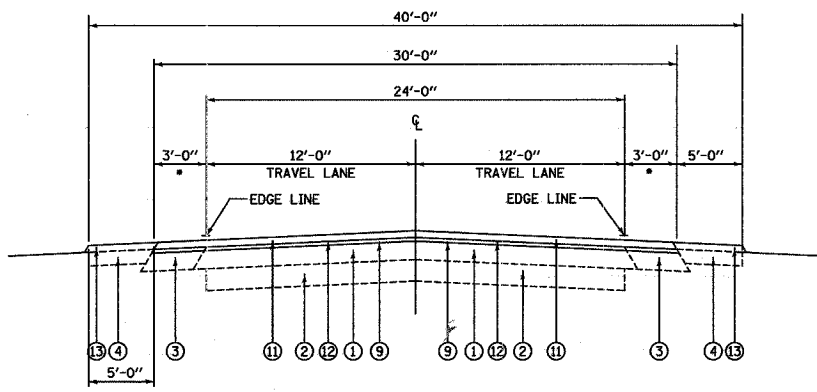


F.A.P. RTE. 591/880	SECTION (12) RS-4	COUNTY KENDALL	TOTAL SHEETS 22	SHEET NO. 4
STA. TO STA.		FED. ROAD DIST. NO. ILLINOIS FED. AID PROJECT		
CONTRACT # 66432				



**EXISTING TYPICAL SECTION**  
 STA 631+01 TO STA 631+70  
 STA 633+12 TO STA 633+58  
 STA 635+60 TO STA 641+23  
 STA 659+89 TO STA 670+65  
 STA 674+20 TO STA 676+58  
 STA 707+38 TO STA 711+72  
 STA 713+95 TO STA 715+04  
 STA 726+92 TO STA 729+54  
 STA 765+35 TO STA 766+45

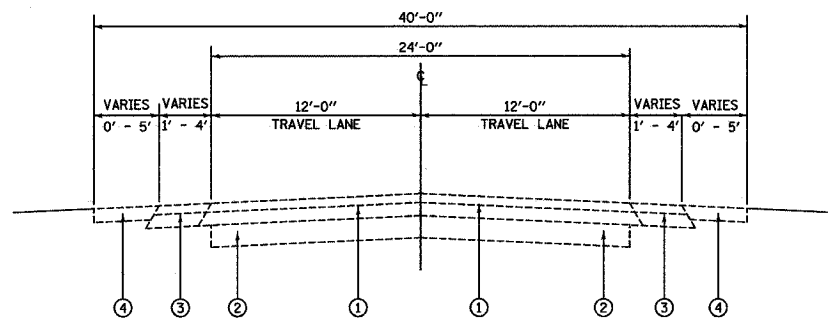
NOTE: EXISTING CURB PRESENT ON EITHER SIDE OR BOTH LOCATION VARIES - SEE PLAN



• WIDTH INCREASES TO 6' TO 9' ADJACENT TO GUARDRAILS AS NOTED ON PLANS

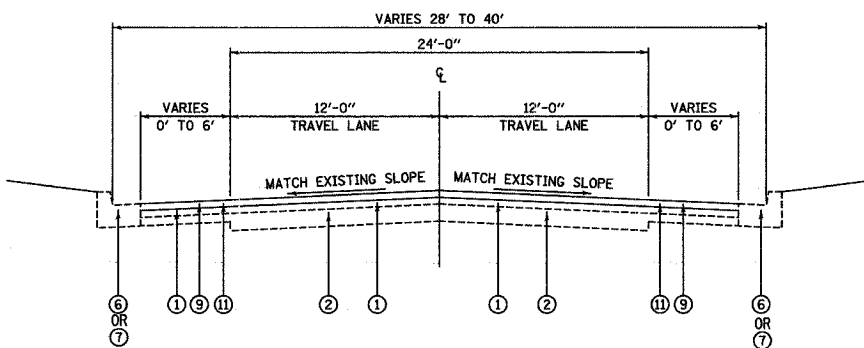
**PROPOSED TYPICAL SECTION**  
 STA 618+87 TO STA 659+48  
 STA 676+58 TO STA 681+38  
 STA 700+37 TO STA 707+38  
 STA 715+04 TO STA 765+54

- ① EXISTING BITUMINOUS OVERLAY AND SURFACE
- ② EXISTING BASE COURSE
- ③ EXISTING BITUMINOUS SHOULDER
- ④ EXISTING AGGREGATE SHOULDER
- ⑤ EXISTING COMBINATION CONCRETE CURB AND GUTTER, TYPE B6-24
- ⑥ EXISTING COMBINATION CONCRETE CURB AND GUTTER, TYPE B6-12
- ⑦ EXISTING CONCRETE TYPE B CURB
- ⑧ PROPOSED COMBINATION CONCRETE CURB AND GUTTER, TYPE B6-12
- ⑨ PROPOSED BITUMINOUS SURFACE REMOVAL, 1-1/2"
- ⑩ NOT USED
- ⑪ PROPOSED BITUMINOUS SURFACE COURSE, SUPERPAVE, MIX'D", N70, 1-1/2"
- ⑫ PROPOSED LEVELING BINDER (MACHINE METHOD) SUPERPAVE, N70, 3/4"
- ⑬ PROPOSED AGGREGATE SHOULDERS, TYPE B
- ⑭ PROPOSED BITUMINOUS SURFACE COURSE, SUPERPAVE, MIX'D", N70, 2"
- ⑮ PROPOSED BITUMINOUS CONCRETE BINDER COURSE, SUPERPAVE, IL-19, N70, 10-1/4"
- ⑯ PROPOSED AGGREGATE SUB BASE, 12"
- ⑰ BITUMINOUS SHOULDER REMOVAL
- ⑱ COMBINATION CONCRETE CURB & GUTTER REMOVAL

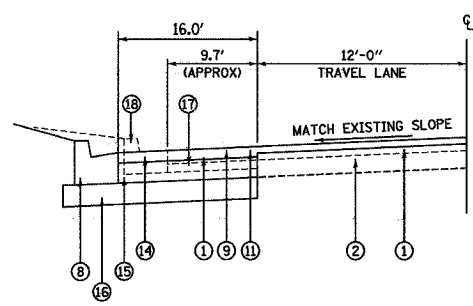


• WIDTH INCREASES TO 6' TO 9' ADJACENT TO GUARDRAILS AS NOTED ON PLANS

**EXISTING TYPICAL SECTION**  
 STA 618+87 TO STA 631+01  
 STA 631+70 TO STA 633+12  
 STA 633+58 TO STA 635+60  
 STA 641+23 TO STA 659+48  
 STA 670+65 TO STA 674+20  
 STA 676+58 TO STA 681+38  
 STA 700+37 TO STA 707+38  
 STA 711+72 TO STA 713+95  
 STA 715+04 TO STA 726+92  
 STA 729+54 TO STA 765+35  
 STA 766+45 TO STA 776+19



**PROPOSED TYPICAL SECTION**  
 STA 659+89 TO STA 676+58  
 STA 707+38 TO STA 715+04  
 STA 765+54 TO STA 776+19



**PROPOSED TYPICAL SECTION**  
 STA 727+44 TO STA 730+59  
 LEFT SIDE WIDENING

REVISIONS		ILLINOIS DEPARTMENT OF TRANSPORTATION
NAME	DATE	
		TYPICAL SECTIONS

SCALE: VERT. HORIZ. N.T.S.  
 DATE 12/23/04

DRAWN BY MAP  
 CHECKED BY RRM