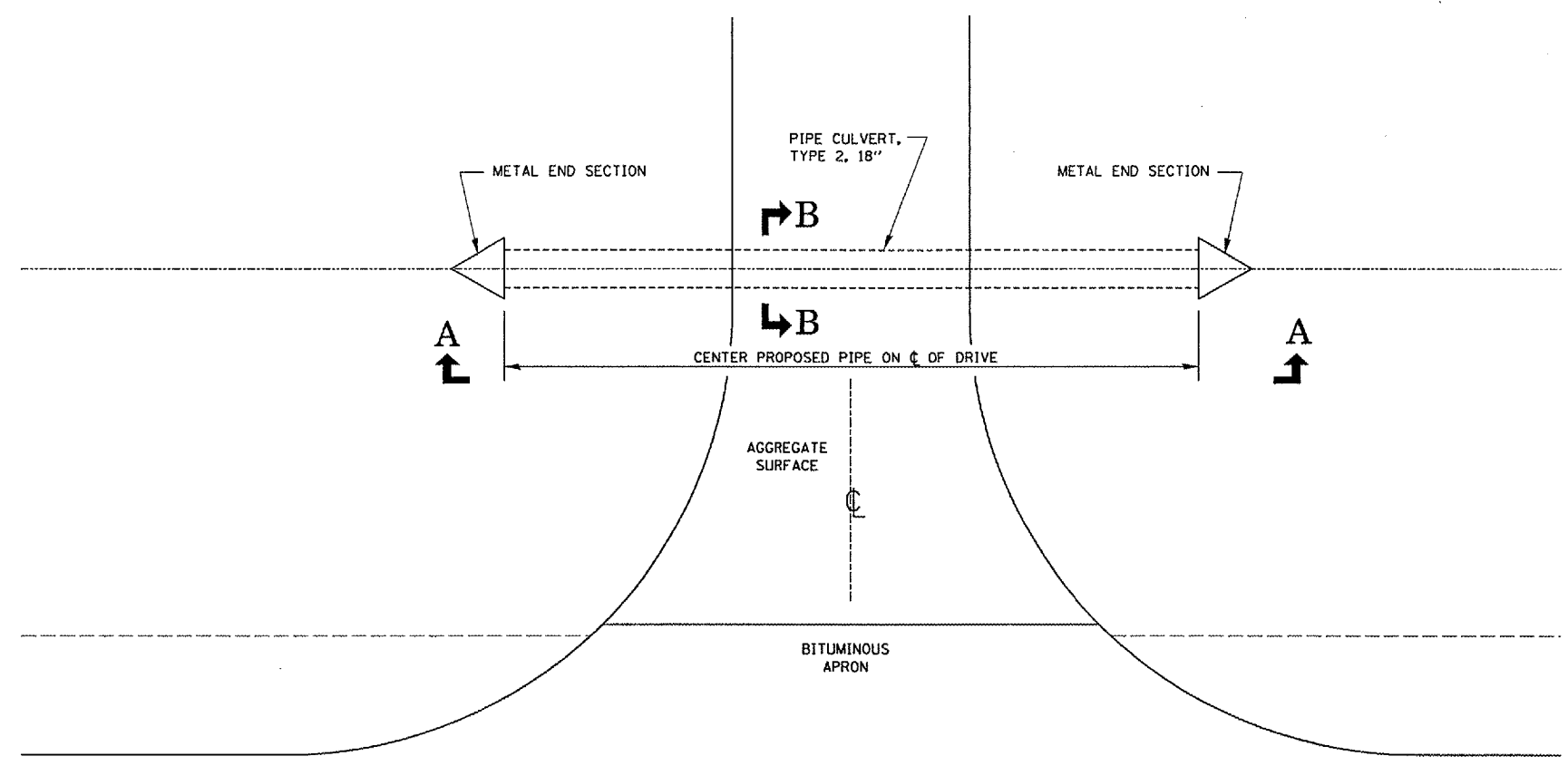
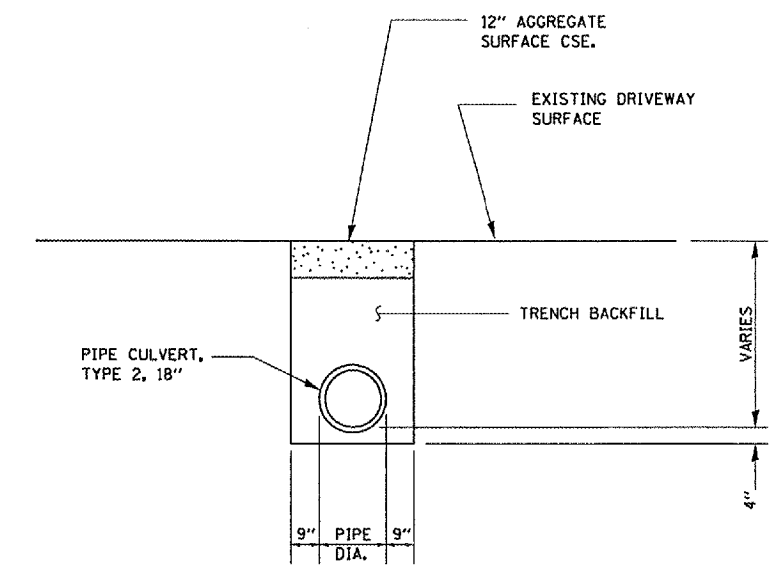


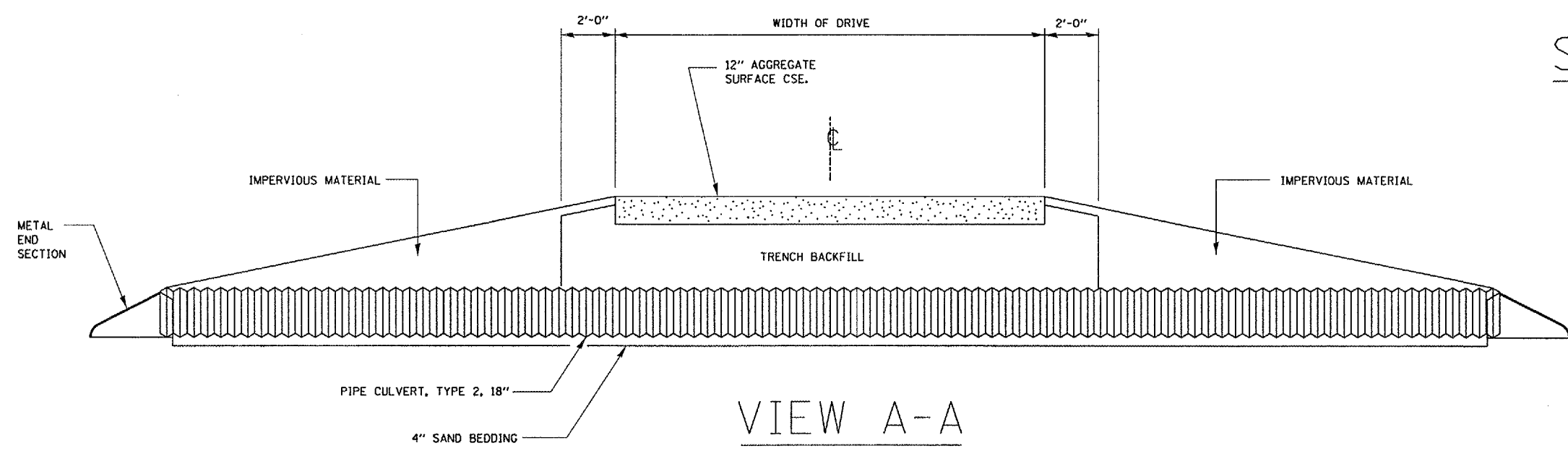
F.A.P. RTE.	SECTION	COUNTY	TOTAL SHEETS	SHEET NO.
41	(11)T	KANKAKEE	11	6
STA. 19+00		TO STA. 26+50		
FED. ROAD DIST. NO.		ILLINOIS FED. AID PROJECT		



PLAN



SECTION B-B



VIEW A-A

REVISIONS	
NAME	DATE

ILLINOIS DEPARTMENT OF TRANSPORTATION  
**CULVERT DETAILS AT ENTRANCE**  
 SCALE: VERT. \_\_\_\_\_  
 HORIZ. \_\_\_\_\_  
 DATE 01/12/04  
 DRAWN BY RW  
 CHECKED BY \_\_\_\_\_