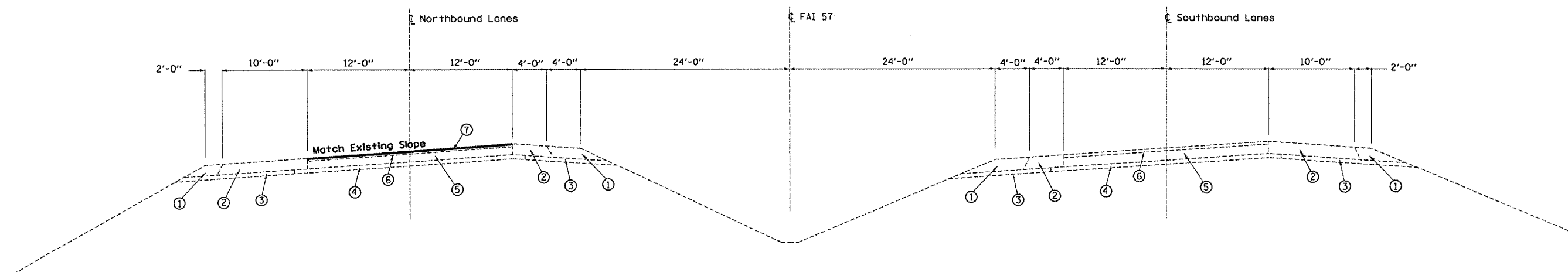


F.A.I. RTE.	SECTION	COUNTY	TOTAL SHEETS	SHEET NO.
57	(3B-4)RS-2	IRROOUIS	10	5
STA. 340+00		TO STA. 407+00		
FED. ROAD DIST. NO. ILLINOIS		FED. AID PROJECT		



TYPICAL SECTION 3 SUPERELEVATION

STA. 391 + 53 TO STA. 400 + 67
TRANSITION STA. 400 + 67 TO STA. 402 + 00

LENGEND

- 1 AGGREGATE SHOULDER
- 2 STABILIZED SHOULDER (B.A.M.)
- 3 4" AGGREGATE SUB-BASE
- 4 4" STABILIZED SUB-BASE (B.A.M.)
- 5 8" CONTINUOUSLY REINFORCED CONCRETE PAVEMENT
- 6 +/-5" BITUMINOUS SURFACE
- 7 1 3/4" BITUMINOUS MILLING AND RESURFACING

DATE = 10/07/04
 FILE NAME = C:\moin05\cm313\details.dgn

REVISIONS	
NAME	DATE

ILLINOIS DEPARTMENT OF TRANSPORTATION

TYPICAL SECTIONS

SCALE: VERT. _____
 HORIZ. _____
 DATE 10/07/04

DRAWN BY RW
 CHECKED BY _____