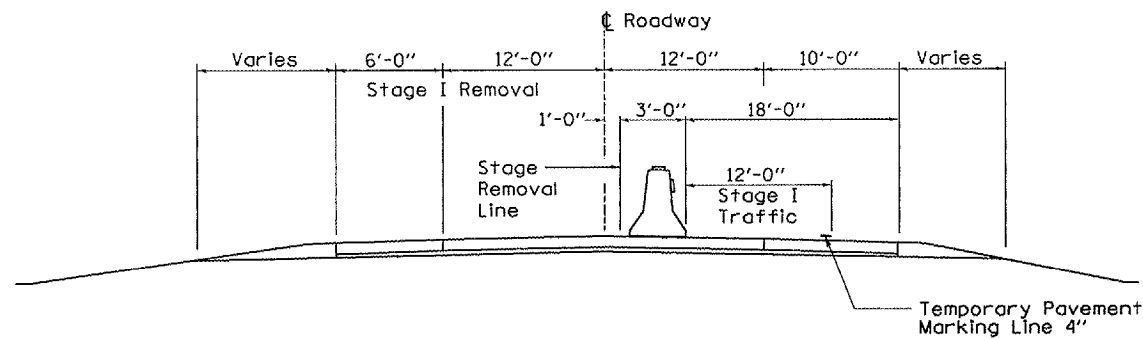


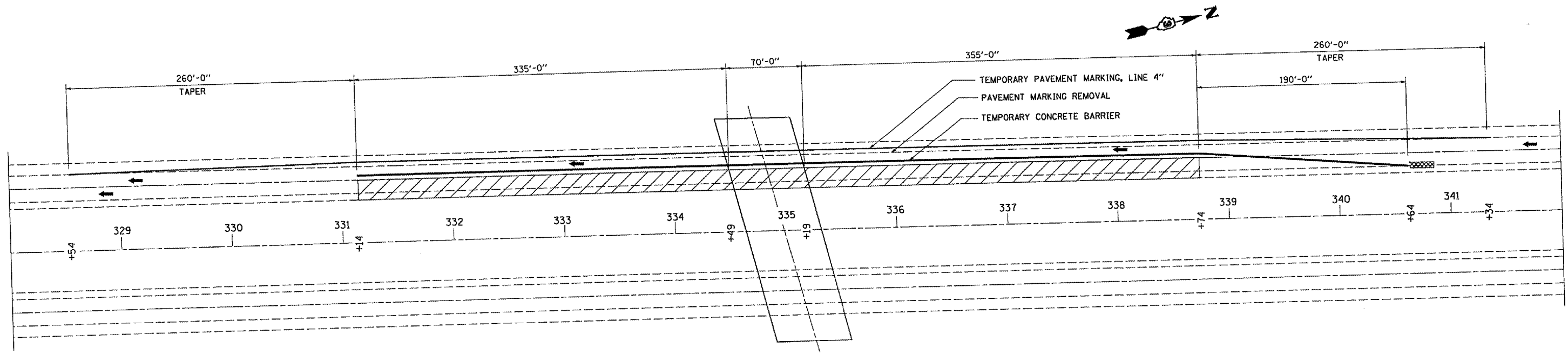
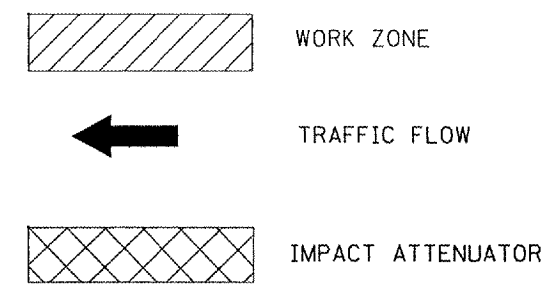
F.A.I. RTE.	SECTION	COUNTY	TOTAL SHEETS	SHEET NO.
55	153-311	LIVINGSTON	14	12
STA. 331+64		TO STA. 338+18		
FED. ROAD DIST. NO. ILLINOIS				



PAVEMENT SECTION

LOOKING WITH DIRECTION OF TRAFFIC

KEY



PLAN

NOTE: FURNISHING, PLACING AND REMOVAL OF THE TEMPORARY PAVEMENT MARKING SHOWN ON STANDARD 701402 WILL NOT BE PAID FOR SEPARATELY BUT SHALL BE INCLUDED WITH THE COST OF THE STANDARD

REVISIONS	
NAME	DATE

ILLINOIS DEPARTMENT OF TRANSPORTATION
STAGING AND TRAFFIC CONTROL STAGE I
 SCALE: VERT. _____
 HORIZ. _____
 DATE 09/21/04
 DRAWN BY RW
 CHECKED BY _____

WORK THIS SHEET WITH TRAFFIC CONTROL AND PROTECTION STANDARD 701402