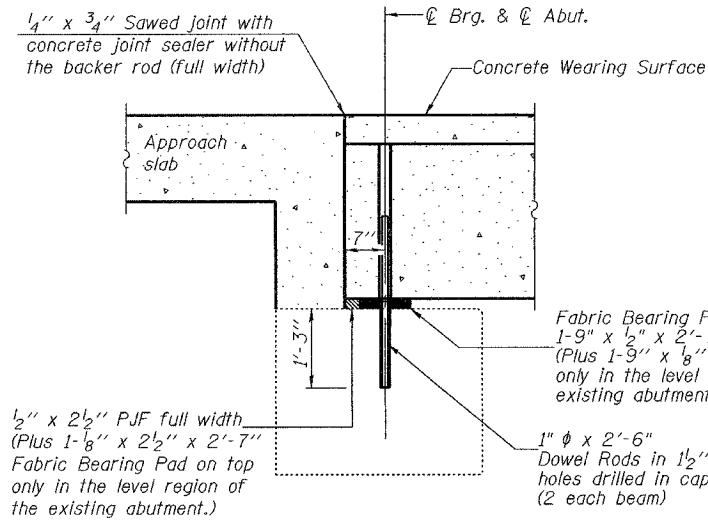


STATE OF ILLINOIS  
DEPARTMENT OF TRANSPORTATION

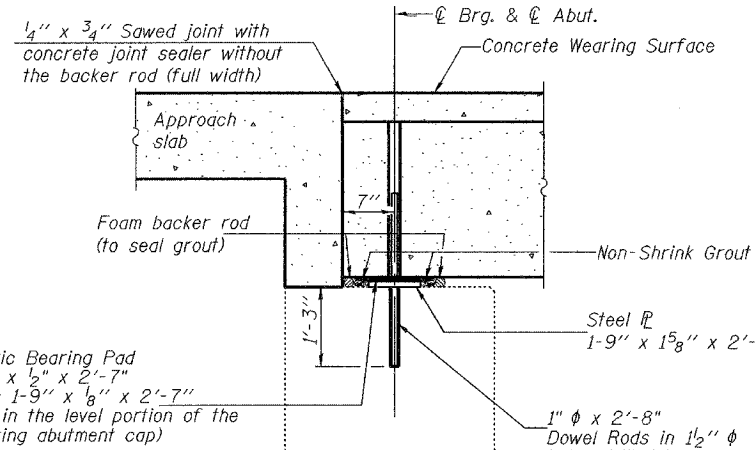
ROUTE NO.	SECTION	COUNTY	SHEETS	SHEET
FAS 516	(240B) BR	CHAMPAIGN	13	9 SHEETS
FED. ROAD DIST. NO. 7	ILLINOIS	FED. AID PROJECT		

Contract No. 70184



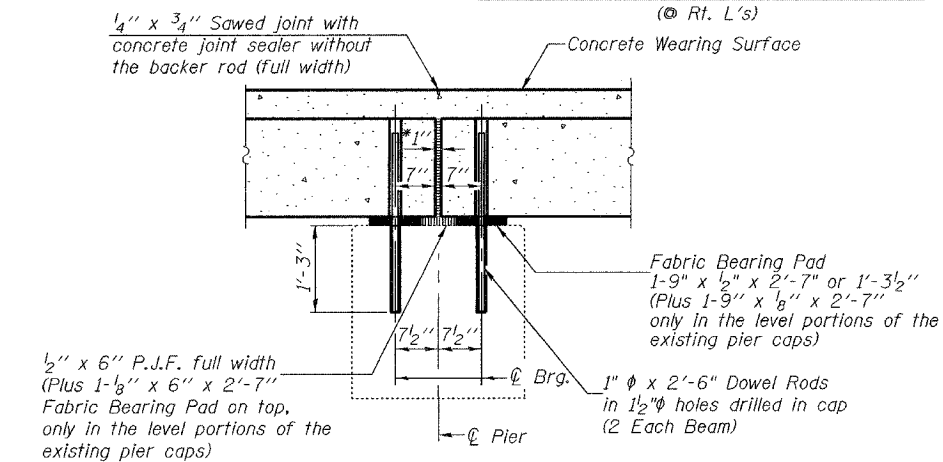
SECTION THRU SOUTH ABUTMENT

(© Rt. L's)



SECTION THRU NORTH ABUTMENT

(© Rt. L's)



SECTION THRU PIERS

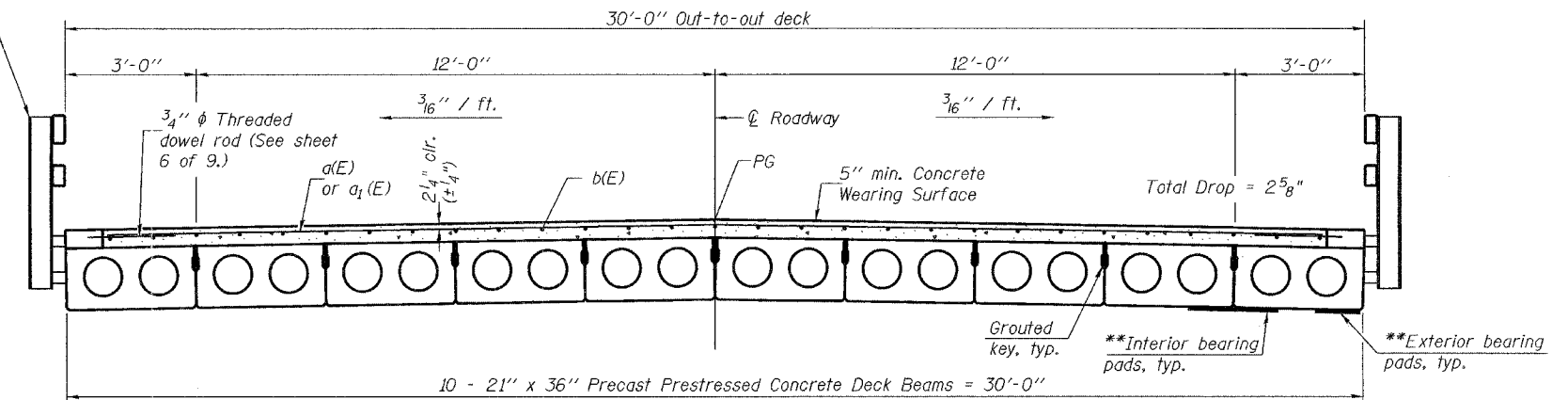
(© Rt. L's)

\* 1" Jt. shall be filled with non-shrink grout. 1" dimension may vary to accommodate tolerance in beam lengths.

DESIGNED	SMR
CHECKED	CCC
DRAWN	BECKY M. CURRY
CHECKED	SMR & CCC

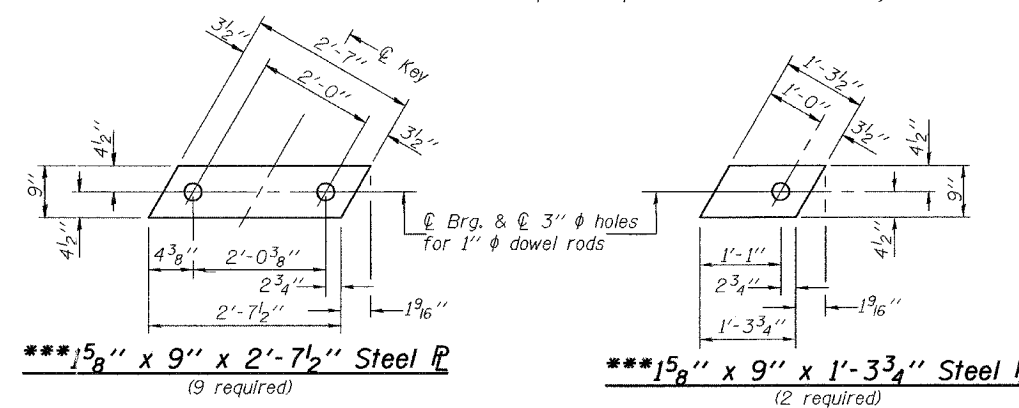
January 28, 2005  
EXAMINED *Thomas J. Damagala*  
ENGINEER OF BRIDGE DESIGN  
PASSED *Ralph E. Anderson*  
ENGINEER OF BRIDGES AND STRUCTURES

Steel Bridge Rail, Type SM  
See sheet 3 of 9 for details.



CROSS SECTION

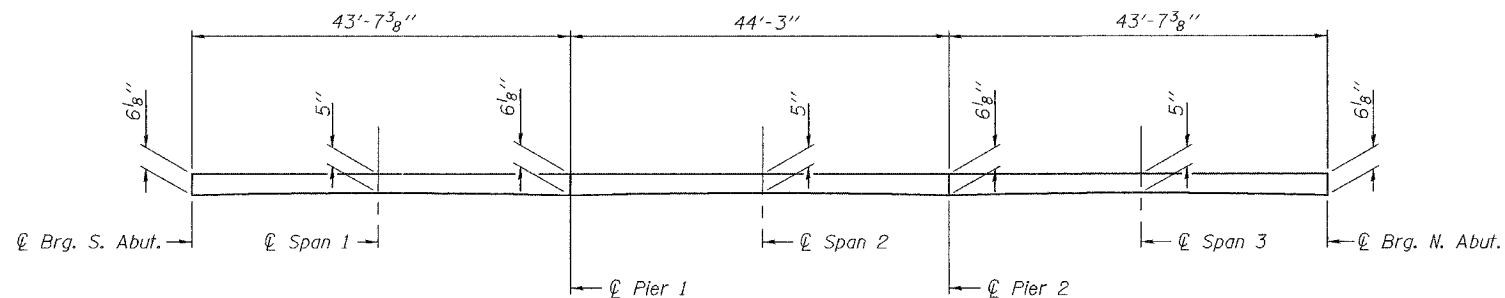
\*\*Steel plates required at North Abutment only.



Notes:

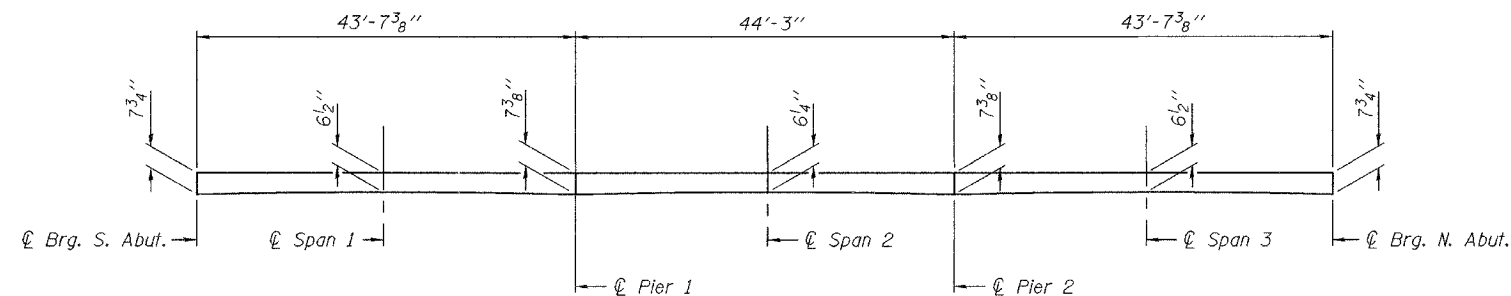
After beams have been erected, holes shall be drilled into substructure and dowels rods placed. Dowel holes shall be filled with non-shrink grout to top of beam and allowed to cure min. 24 hrs. prior to grouting the shear keys. See sheet 6 of 9 for fabric bearing pad details. Concrete wearing surface to be poured after grouting the shearkeys. Dowel rods drilled in cap are included in the cost of Precast Prestressed Concrete Deck Beams (21' depth). See sheet 8 of 9 for steel plate locations.

\*\*\*Steel plates shall be galvanized according to AASHTO M111.



REINFORCED CONCRETE WEARING SURFACE PROFILE

(Concrete wearing surface along edge of curbs.)



REINFORCED CONCRETE WEARING SURFACE PROFILE

(Concrete wearing surface along centerline of Roadway.)

SUPERSTRUCTURE  
BILL OF MATERIAL

Bar	No.	Size	Length	Shape
a(E)	133	#4	28'-1"	—
a <sub>1</sub> (E)	2	#4	28'-5"	—
b(E)	145	#4	27'-10"	—
Reinforcement Bars, Epoxy Coated			Pound	5230
Concrete Wearing Surface			Sq. Yd.	418
Furnishing and Erecting Structural Steel			Pound	1330

Reinforcement bars designated (E) shall be epoxy coated.

SUPERSTRUCTURE DETAILS  
F.A.S. ROUTE 516 - SECTION (240B)BR  
CHAMPAIGN COUNTY  
STATION 68+94.20  
STRUCTURE NO. 010-0220