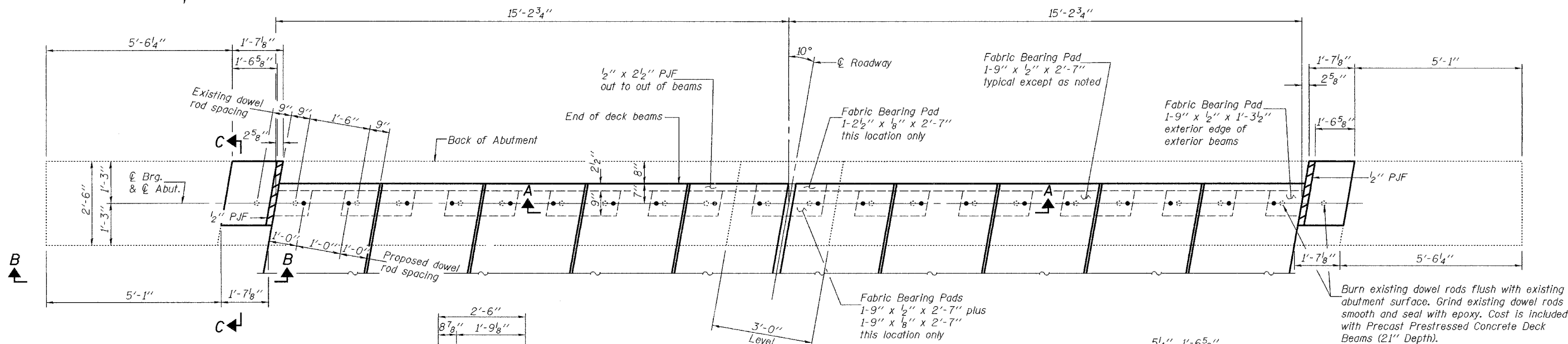


STATE OF ILLINOIS  
DEPARTMENT OF TRANSPORTATION

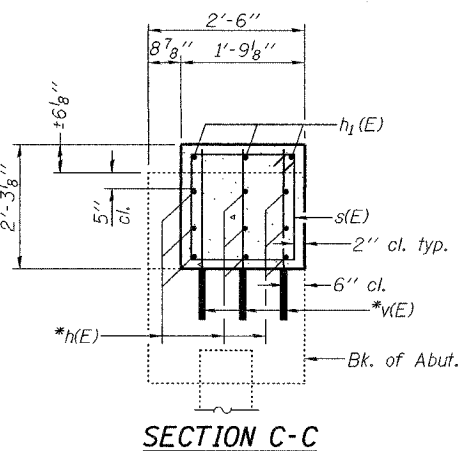
ROUTE NO.	SECTION	COUNTY	SHEET	SHEET NO. 7
FAS 516	(240B) BR	CHAMPAIGN	15	9 SHEETS
FED. ROAD DIST. NO. 7	ILLINOIS	FED. AID PROJECT-		

Contract No. 70184

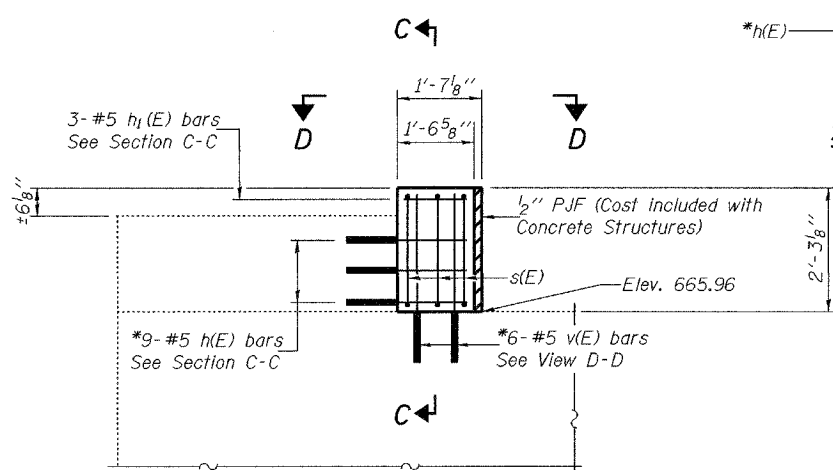


Note: Concrete structures shown are to be poured after concrete wearing surface is in place and cured.

**PLAN**  
(Concrete curb and concrete wearing surface not shown.)

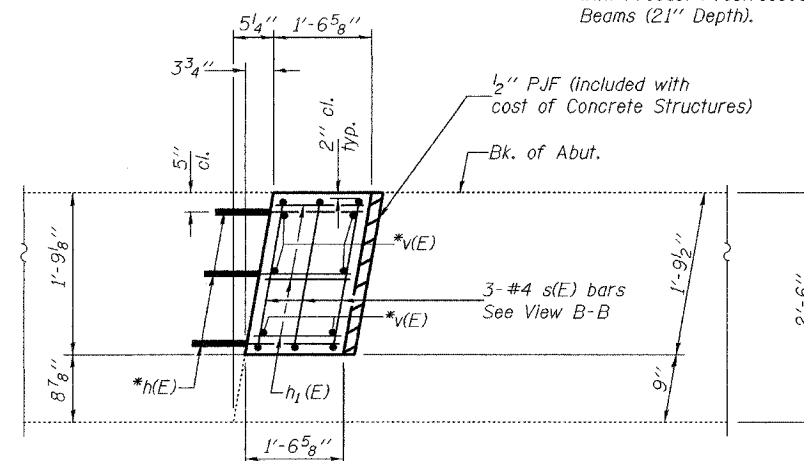


**SECTION C-C**



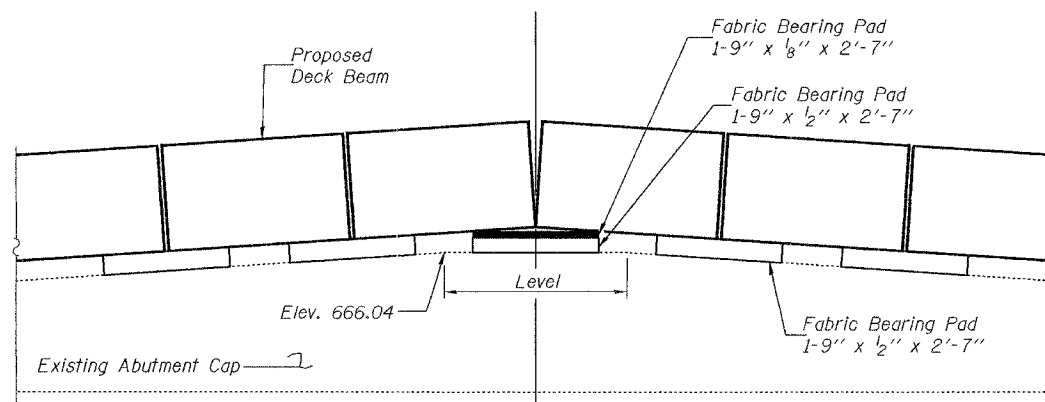
**VIEW B-B**

(Deck beam, concrete curb and concrete wearing surface not shown. East side shown, West side similar).



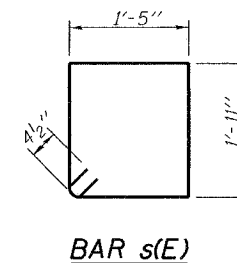
**VIEW D-D**

\* Epoxy grout h(E) and v(E) bars in 9" min. drilled holes according to Section 584 of Standard Specifications.



**SECTION A-A**

(Concrete wearing surface and dowel rods not shown.)



**BAR s(E)**

**BILL OF MATERIAL**

Bar	No.	Size	Length	Shape
h(E)	18	#5	2'-0"	—
h1(E)	6	#5	1'-3"	—
s(E)	6	#4	7'-5"	□
v(E)	12	#5	2'-10"	—
Reinforcement Bars, Epoxy Coated		Pound	110	
Concrete Structures		Cu. Yd.	0.5	

Reinforcement bars designated (E) shall be epoxy coated.

**SOUTH ABUTMENT**  
F.A.S. ROUTE 516 - SECTION (240B)BR  
CHAMPAIGN COUNTY  
STATION 68+94.20  
STRUCTURE NO. 010-0220

DESIGNED	SMR
CHECKED	CCC
DRAWN	DECKY M. CURRY
CHECKED	SMR & CCC

January 28, 2005  
EXAMINED *Thomas J. Damgalab*  
PASSED *Ralph E. Anderson*