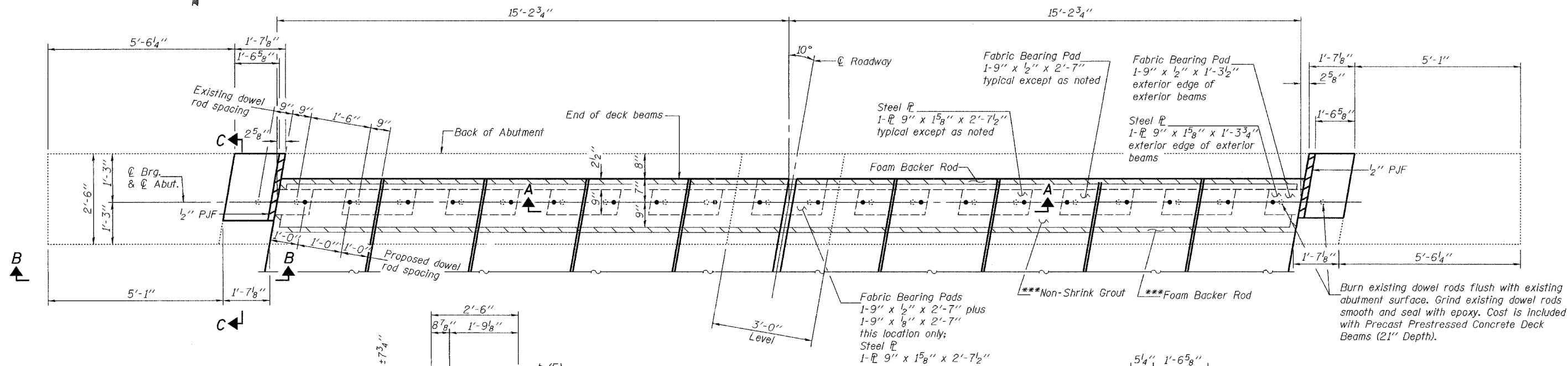


STATE OF ILLINOIS
DEPARTMENT OF TRANSPORTATION

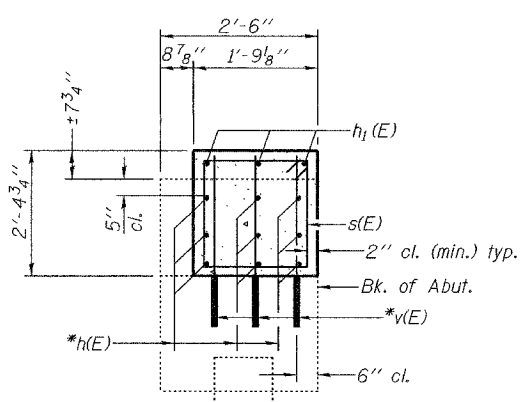
ROUTE NO.	SECTION	COUNTY	STATION	SHEET
FAS 516	(240B) BR	CHAMPAIGN		16
FED. ROAD DIST. NO. 7	ILLINOIS	FED. AID PROJECT-		

Contract No. 70184

SHEET NO. 8
9 SHEETS



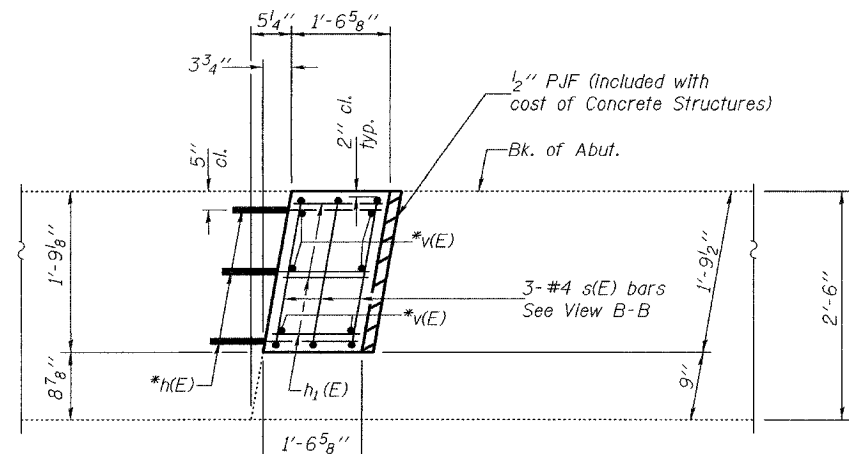
Note:
Concrete structures shown are to be poured after concrete wearing surface is in place and cured.
For steel plate details see sheet 5 of 9.



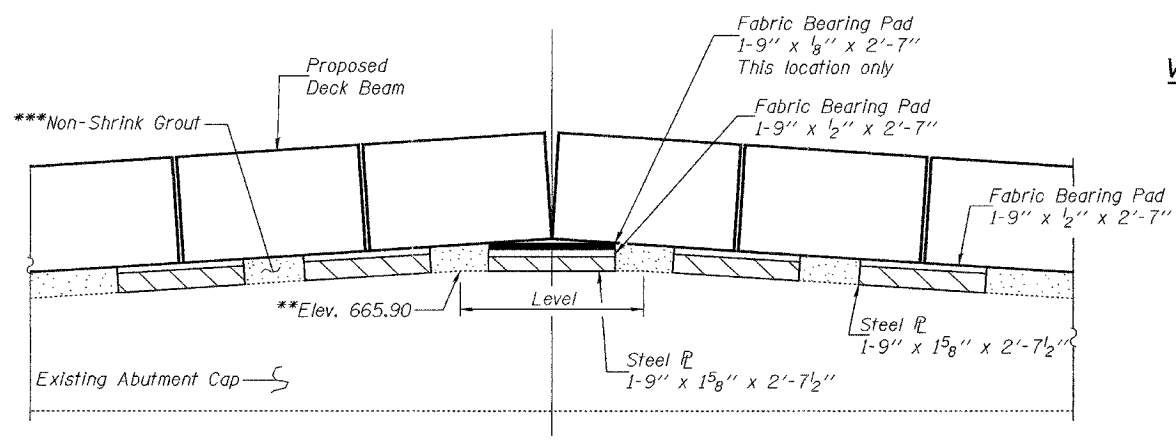
SECTION C-C

PLAN
(Concrete curb and concrete wearing surface not shown.)

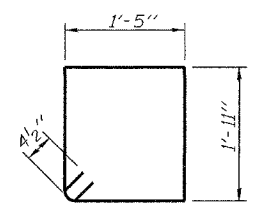
* Epoxy grout h(E) and v(E) bars in 9" min. drilled holes according to Section 584 of Standard Specifications.
** Field verify prior to ordering materials.
*** Cost included with Precast Prestressed Deck Beams (21" Depth).



VIEW D-D



SECTION A-A
(Concrete wearing surface and dowel rods not shown.)



BAR s(E)

BILL OF MATERIAL

Bar	No.	Size	Length	Shape
h(E)	18	#5	2'-0"	—
h1(E)	6	#5	1'-3"	—
s(E)	6	#4	7'-5"	□
v(E)	12	#5	2'-10"	—
Reinforcement Bars, Epoxy Coated		Pound	110	
Concrete Structures		Cu. Yd.	0.5	

Reinforcement bars designated (E) shall be epoxy coated.

NORTH ABUTMENT
F.A.S. ROUTE 516 - SECTION (240B)BR
CHAMPAIGN COUNTY
STATION 68+94.20
STRUCTURE NO. 010-0220

DESIGNED	SMR
CHECKED	CCC
DRAWN	BECKY M. CURRY
CHECKED	SMR & CCC

January 26, 2005
EXAMINED *Thomas J. Damagala*
PASSED *Ralph E. Anderson*
ENGINEER OF BRIDGES AND STRUCTURES