

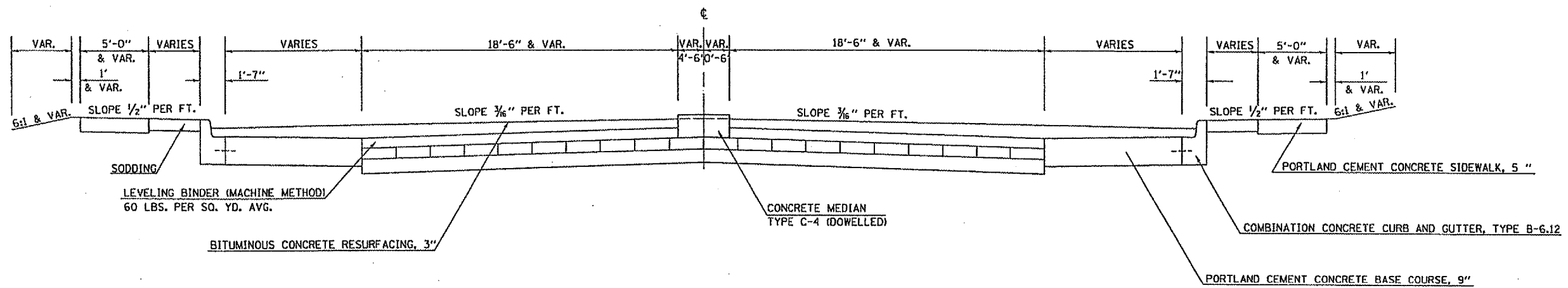
F.A. RYE.	SECTION	COUNTY	TOTAL SHEETS	SHEET NO.
804	321-2	CHAMPAIGN	15	5

CONTRACT NO. 70446

EXISTING TYPICAL CROSS SECTION

PROSPECT AVE.

STATION 101+55.00 TO STATION 102+96.00



EXISTING TYPICAL CROSS SECTION

PROSPECT AVE.

STATION 99+70 TO STATION 101+55.00

