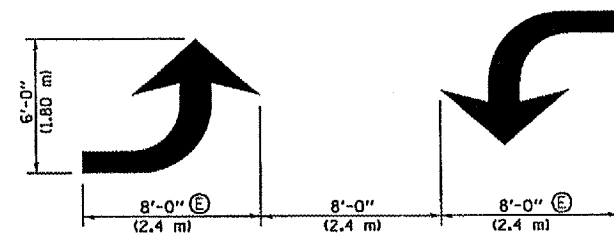
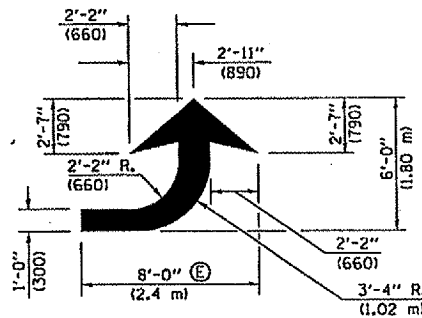


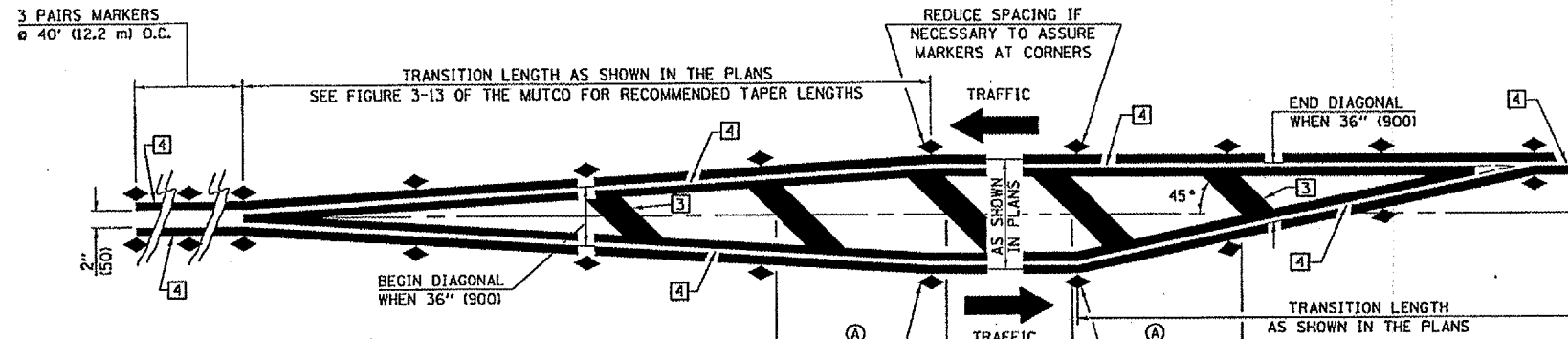
### TYPICAL APPLICATIONS OF PAVEMENT MARKINGS AND MARKERS



TYPICAL DOUBLE TURN ARROWS (WHITE)



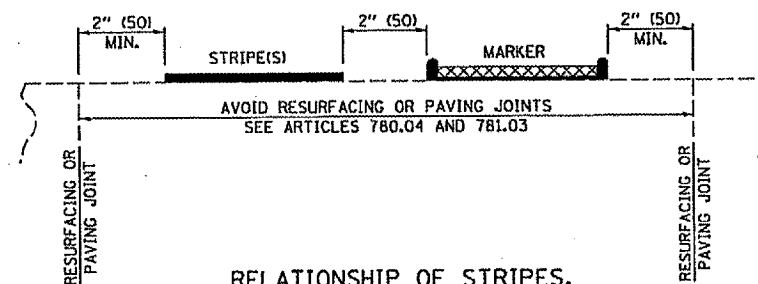
LEFT ARROW  
REVERSE FOR RIGHT ARROW  
AREA = 15.6 SQ. FT. (1.47 m<sup>2</sup>)  
(WHITE)



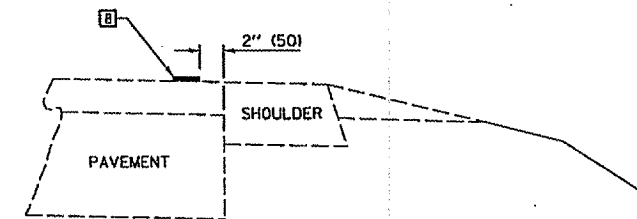
SPECIAL NOTE:  
THE ACTUAL MEDIAN CONFIGURATION WILL BE AS SHOWN IN THE PLANS (TAPER OR REVERSE CURVE).  
RUMBLE & MOUNTABLE MEDIANS SHALL BE OUTLINED WITH [2].

NOTE (A)  
SEE GENERAL NOTE #7

TYPICAL MEDIAN TRANSITIONS



RELATIONSHIP OF STRIPES, MARKERS AND JOINTS



RELATIONSHIP OF EDGE STRIPE TO SAFETY SHOULDER OR PAVED SURFACE

SPECIAL NOTES:

- (B) TURN ARROW PAIRS SHALL BE PLACED AT 250' (75 m) INTERVALS AND SHALL BE EVENLY SPACED BETWEEN BOTH ENDS OF THE BIDIRECTIONAL LEFT TURN LANE.
- (C) THE SOLID YELLOW PAVEMENT MARKINGS [2] SHOULD GENERALLY START OR END NEAR THE RADIUS POINT OF EACH STREET RETURN EXCEPT WHERE ONE OR BOTH ENDS WOULD INCLUDE STOP BARS.
- (D) THE SKIP-DASH PAVEMENT MARKINGS [1] OR [7] SHOULD BE CENTERED BETWEEN BOTH ENDS OF EACH CITY BLOCK AND SHALL BE PLACED SO THEY LINE UP ACROSS FROM EACH OTHER. SEE EXAMPLE ON SHEET 2 OF 3.
- (E) TURN ARROW SIZE DEPENDS ON THE LOCATION.  
RURAL LOCATION - LARGE ARROW SIZE  
URBAN LOCATION - SMALL ARROW SIZE

GENERAL NOTES

1. WHEN MEDIANS ARE PRESENT, PAVEMENT MARKINGS ARE TO BE PLACED ADJACENT TO MEDIANS.
2. SCALE: NONE
3. SOME OF THE INFORMATION INCLUDED WITH THIS DETAIL MAY NOT BE APPLICABLE TO THIS IMPROVEMENT.
4. PAVEMENT MARKINGS ARE TO BE EXTENDED THROUGH OMISSIONS WHEN APPLICABLE.
5. A STRIPING KEY IS AVAILABLE ELSEWHERE AND SHALL BE SHOWN WHERE THE QUANTITIES ARE LISTED.
6. FINAL PAVEMENT MARKINGS SHALL BE IN PLACE PRIOR TO PLACING ANY RAISED REFLECTIVE PAVEMENT MARKERS.
7. THE FOLLOWING CRITERIA SHALL BE USED FOR SELECTING THE DIAGONAL PAVEMENT MARKING SPACING,  
< 30 MPH USE 15' (< 50 km/h USE 4.5 m)  
30-45 MPH USE 20' (50-75 km/h USE 6.0 m)  
> 45 MPH USE 30' (> 75 km/h USE 9.0 m)

SHEET 3 OF 3

DESIGNED	NAME	DATE	REVISIONS	DATE
J.M.H.	J.M.H.	5/05		
CHECKED	FMS	6/05	GEOMETRICS/K.A.G.	07/02
CADD NO.	F-5.25		K.A.G.	08/04

ALL DIMENSIONS ARE IN INCHES (MILLIMETERS) UNLESS OTHERWISE SHOWN.