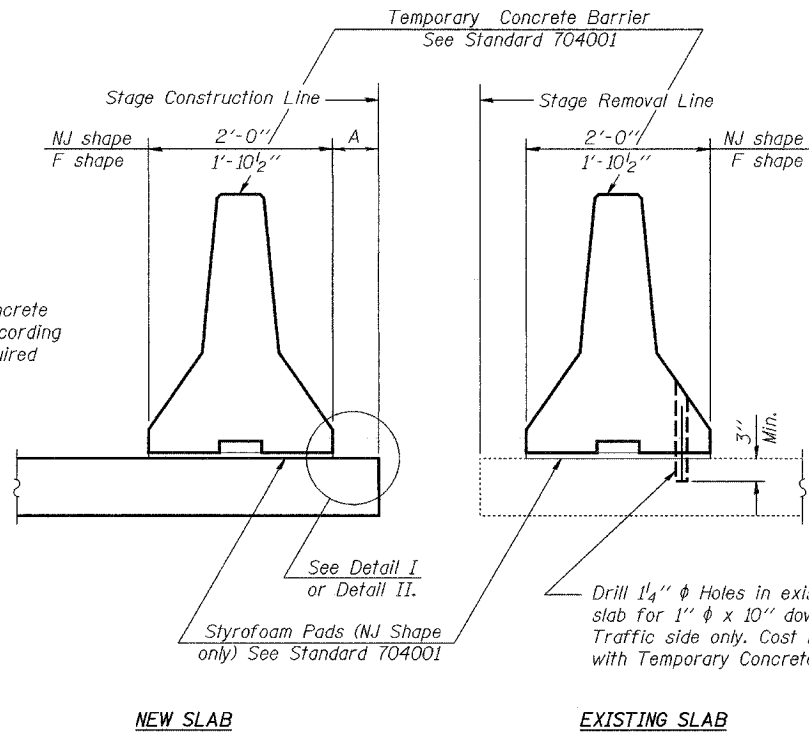


STATE OF ILLINOIS
DEPARTMENT OF TRANSPORTATION

ROUTE NO.	SECTION	COUNTY	SHEET	SHEET
F.A.P. 312	71BR	RANDOLPH	73	28
FED. ROAD DIST. NO. 7	ILLINOIS	FED. AID PROJECT-		

SHEET NO. 4
31 SHEETS

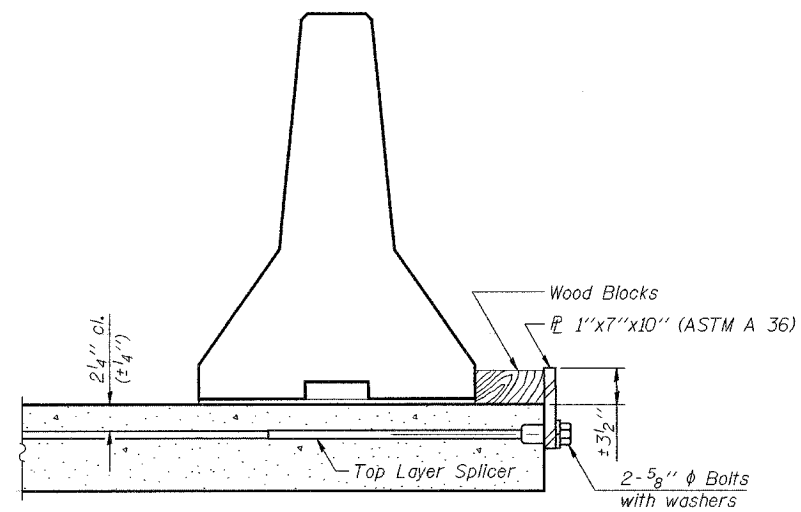
Contract No. 76125



SECTIONS THRU SLAB

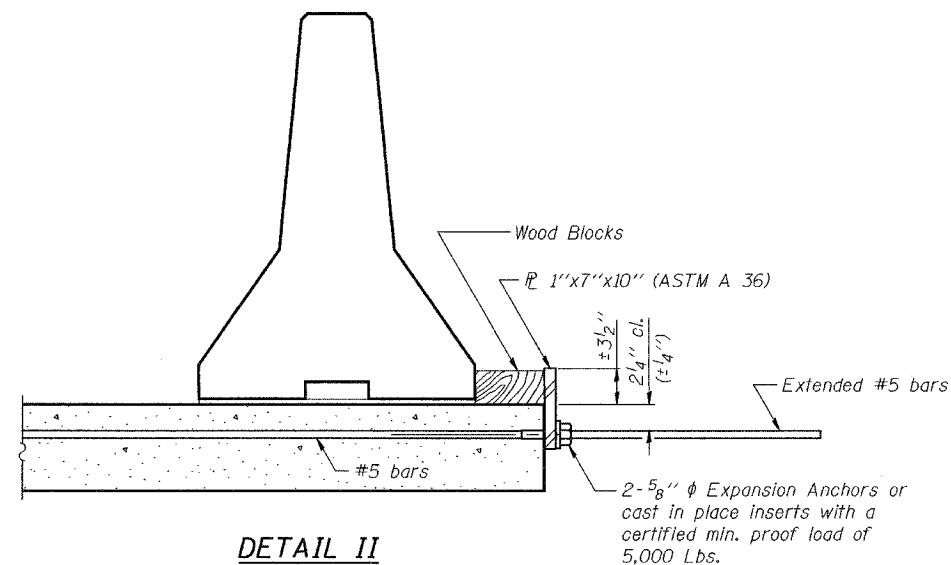
NOTES

- Detail I - With Bar Splicer or Couplers:
Connect one (1) 1"x7"x10" steel \bar{P} to the top layer of couplers with 2-5/8" ϕ bolts screwed to coupler at approximate \bar{C} of each barrier panel.
- Detail II - With Extended Reinforcement Bars:
Connect one (1) 1"x7"x10" steel \bar{P} to the concrete slab with 2-5/8" ϕ Expansion Anchors or cast in place inserts spaced between the top layer of reinforcement at approximate \bar{C} of each barrier panel.
- Cost of anchorage is included with Temporary Concrete Barrier.



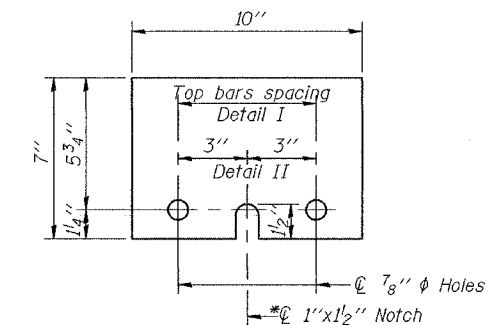
DETAIL I

The 1"x7"x10" Plate shall not be removed until Stage II Construction forms and reinforcement bars are in place.



DETAIL II

The 1"x7"x10" Plate shall not be removed until Stage II Construction forms and all reinforcement bars are in place and the concrete is ready to be placed.



\bar{P} 1"x7"x10"

*Required only with Detail II

DESIGNED	J.E. Kramer
CHECKED	T.L. Kurtenbach
DRAWN	A.M. Seiber
CHECKED	JEK/TLK

EXAMINED	January 26, 2005	Thomas J. Demagala
PASSED		Ralph E. Anderson

R-27 9-01-03

TEMPORARY CONCRETE BARRIER
F.A.P. RT. 312 - SEC. 71BR
RANDOLPH COUNTY
STATION 1128+90
STRUCTURE NO. 079-0048