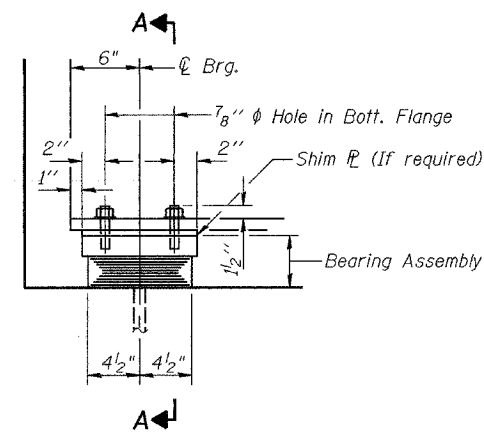


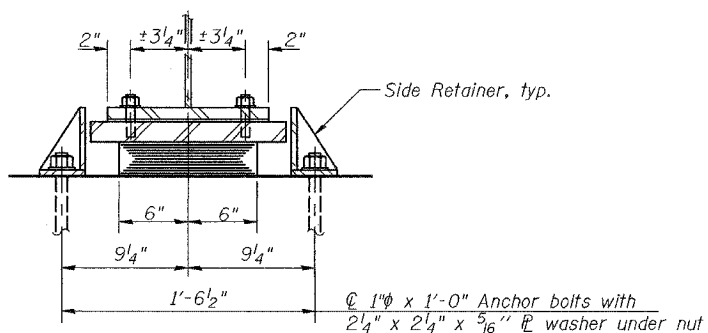
STATE OF ILLINOIS  
DEPARTMENT OF TRANSPORTATION

ROUTE NO.	SECTION	COUNTY	TOTAL SHEETS	SHEET	SHEET NO. 14
F.A.P. 312	71BR	RANDOLPH	73	38	31 SHEETS
FED. ROAD DIST. NO. 7	ILLINOIS	FED. AID PROJECT-			

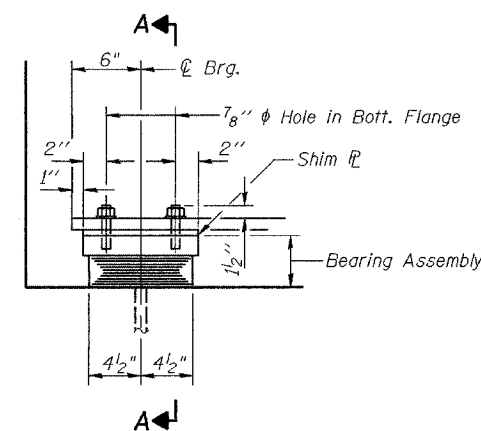
Contract No. 76125



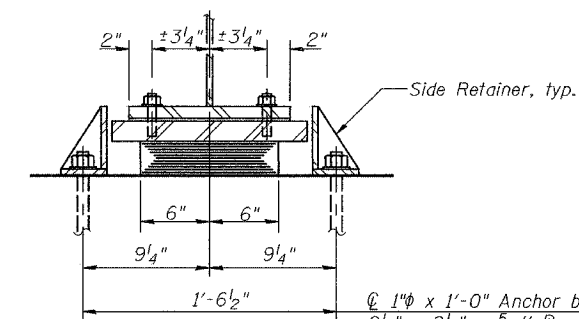
ELEVATION AT S ABUT.



SECTION A-A



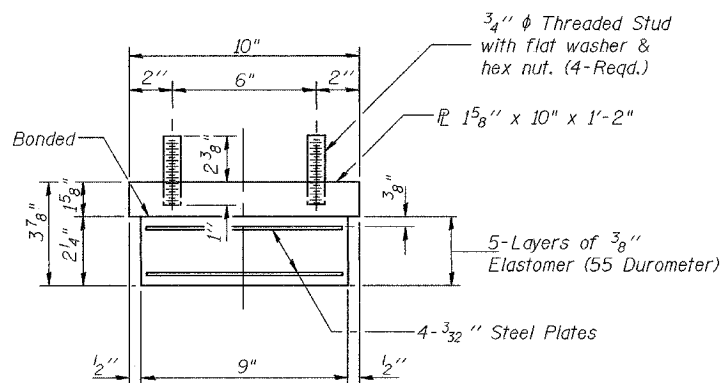
ELEVATION AT N ABUT.



SECTION A-A

**TYPE I ELASTOMERIC EXP. BRG.**

Note: See sheet 16 of 31 for Anchor Bolt Installation.



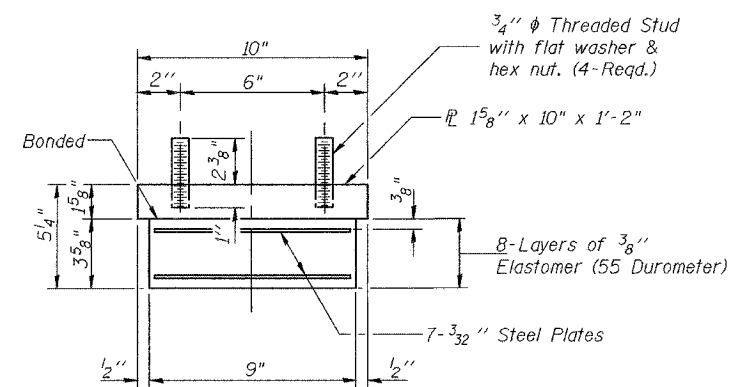
**BEARING ASSEMBLY**

Note: Shim plates shall not be placed under Bearing Assembly.

Note: Provide a shim plate 1/4" thick for beam #4 at North and South Abutments.

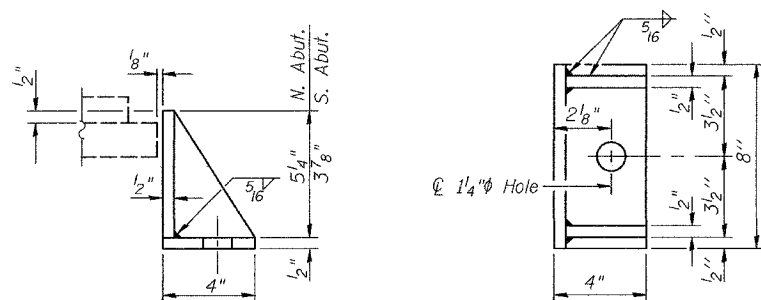
**TYPE I ELASTOMERIC EXP. BRG.**

Note: See sheet 16 of 31 for Anchor Bolt Installation.



**BEARING ASSEMBLY**

Note: Shim plates shall not be placed under Bearing Assembly.



**SIDE RETAINER**

Equivalent rolled angle with stiffeners will be allowed in lieu of welded plates. Weight included with Structural Steel.

DESIGNED	J.E. Kramer
CHECKED	T.L. Kurtenbach
DRAWN	A.M. Seiber
CHECKED	JEK/TLK

EXAMINED	January 26, 2005
PASSED	Thomas J. Domagalaki ENGINEER OF BRIDGE DESIGN
	Ralph E. Anderson ENGINEER OF BRIDGES AND STRUCTURES

I-2-E1 09-01-03

**BILL OF MATERIAL**

Item	Unit	Total
Elastomeric Bearing Assembly Type I	Each	12

**ABUTMENT BEARING DETAILS**  
F.A.P. RT. 312 - SEC. 71BR  
RANDOLPH COUNTY  
STATION 1128+90  
STRUCTURE NO. 079-0048