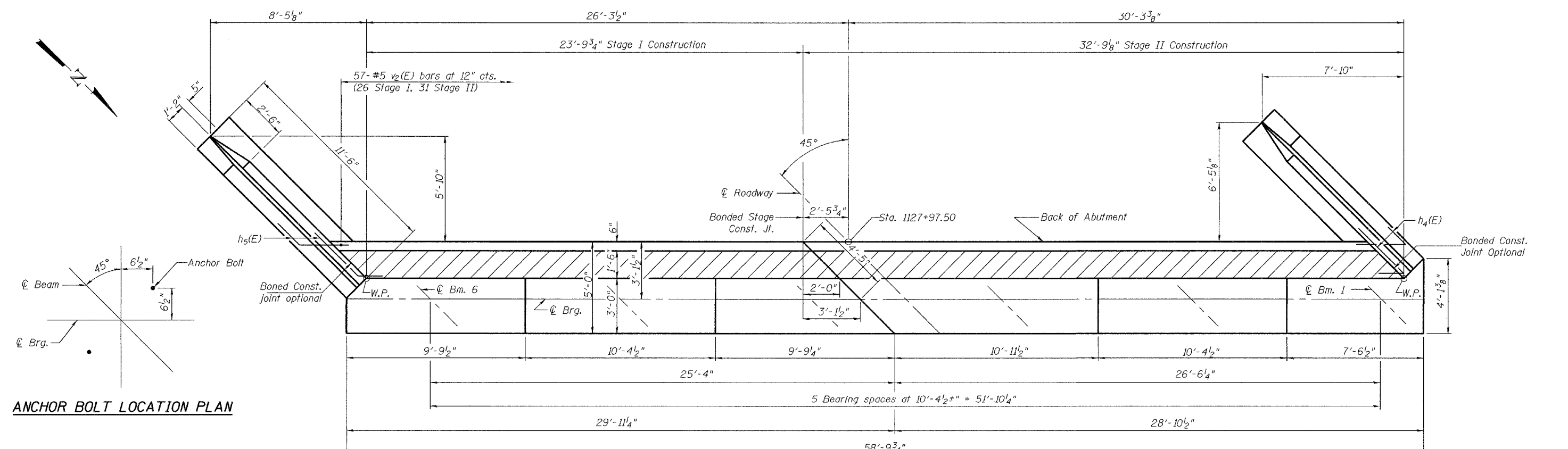
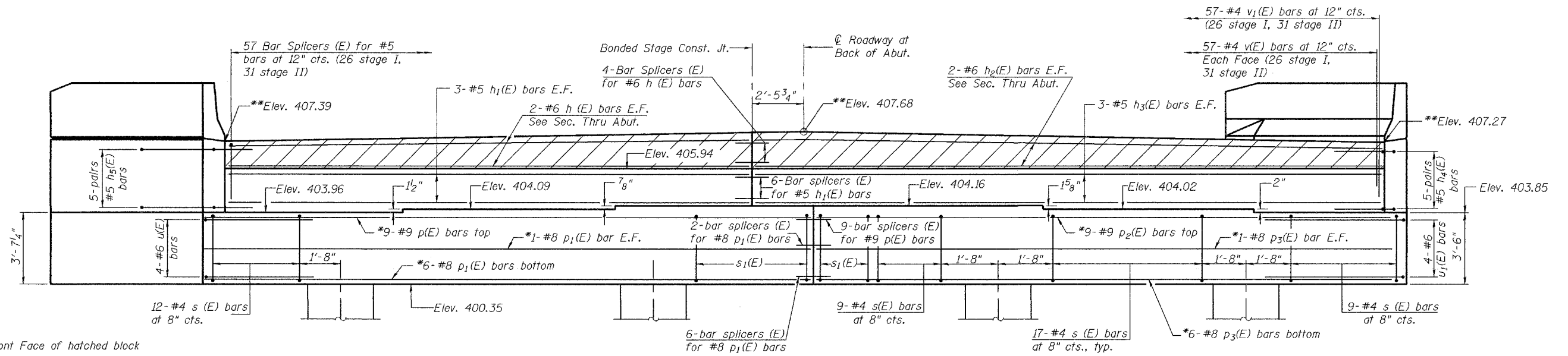


STATE OF ILLINOIS
DEPARTMENT OF TRANSPORTATION

ROUTE NO.	SECTION	COUNTY	SHEETS	SHEET	SHEET NO. 17
F.A.P. 312	71BR	RANDOLPH	73	41	31 SHEETS
FED. ROAD DIST. NO. 7	ILLINOIS	FED. AID PROJECT-	Contract No. 76125		

Notes:
Space reinforcement in cap to miss anchor bolts.
Pour steps monolithically with cap.
For Anchor Bolt installation see details sheet 16 of 31.
Reinforcement Bars designated (E) shall be epoxy coated.
Hatched area to be poured after superstructure forms have been removed. Quantity of concrete included with Concrete Superstructure on sheet 10 of 31.



DESIGNED	T.L. Kurtenbach	EXAMINED	January 26, 2005
CHECKED	J.E. Kramer	PASSED	Thomas J. Domagalaki ENGINEER OF BRIDGE DESIGN
DRAWN	A.M. Seiber		Ralph E. Anderson ENGINEER OF BRIDGES AND STRUCTURES
CHECKED	JEK/TLK		

SOUTH ABUTMENT
F.A.P. RT. 312 - SEC. 71BR
RANDOLPH COUNTY
STATION 1128+90
STRUCTURE NO. 079-0048