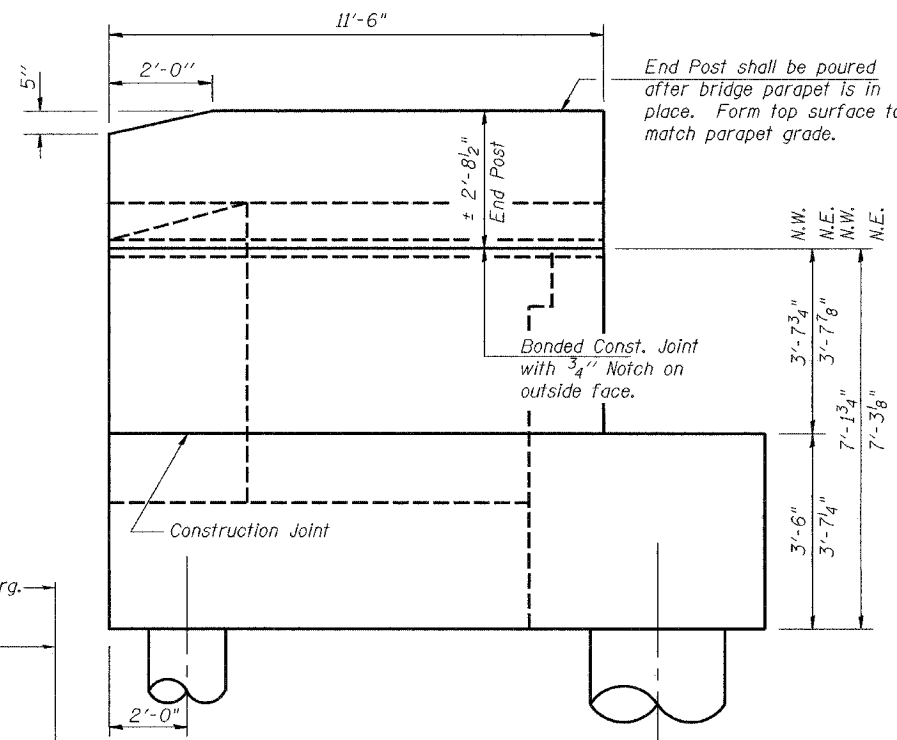


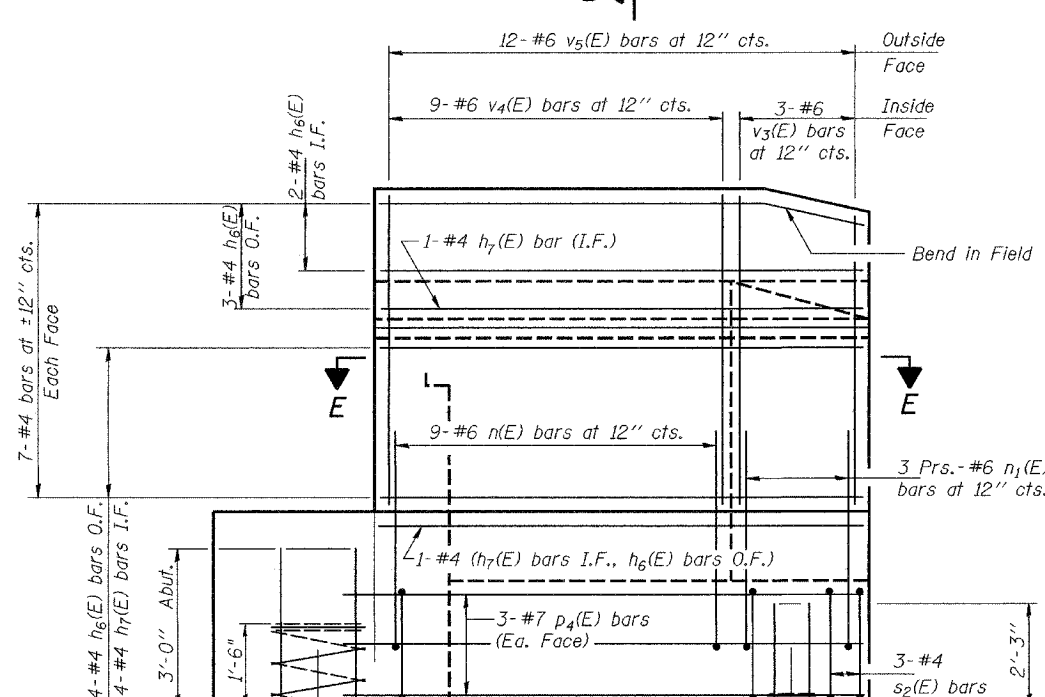
STATE OF ILLINOIS
DEPARTMENT OF TRANSPORTATION

ROUTE NO.	SECTION	COUNTY	SHEET	SHEET	SHEET NO. 22
F.A.P. 312	71BR	RANDOLPH	73	46	31 SHEETS
FED. ROAD DIST. NO. 7	ILLINOIS	FED. AID PROJECT			

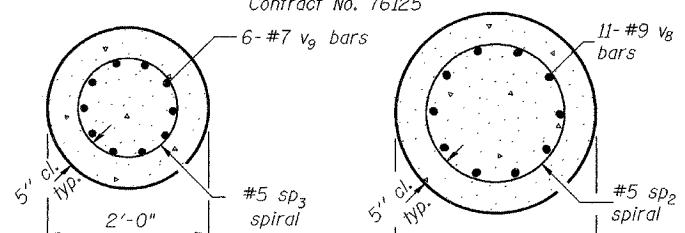
Contract No. 76125



WING WALL ELEVATION
Showing Dimensions

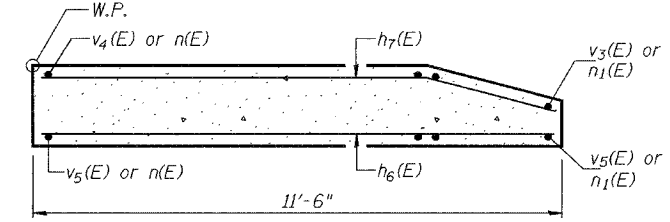


WING WALL & DRILLED SHAFT ELEVATION
Showing Reinforcement

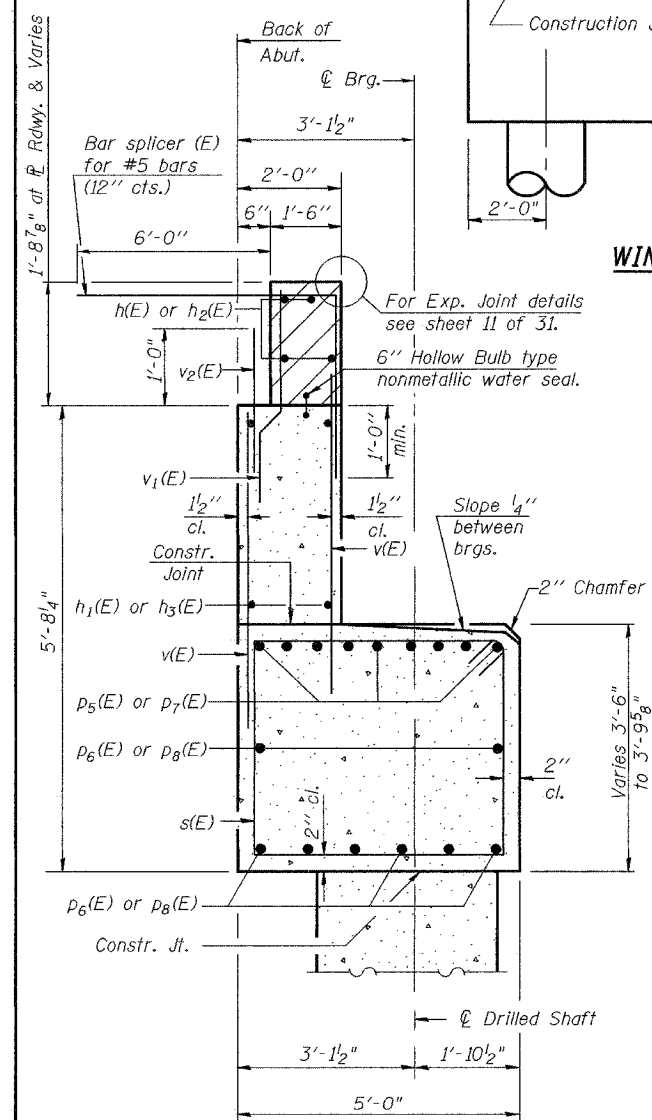


SECTION C-C

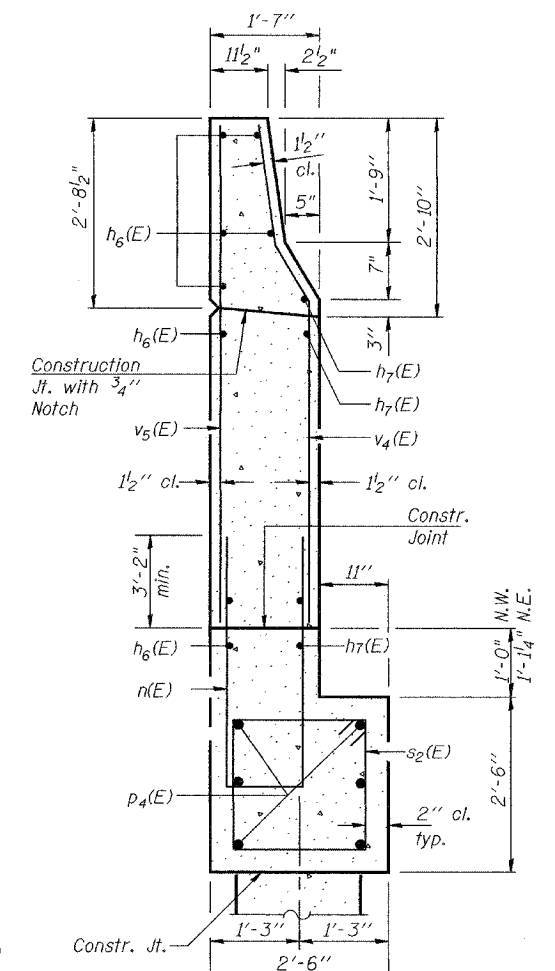
SECTION D-D



SECTION E-E



SECTION THRU ABUTMENT



SECTION B-B

Notes: *The quantities and reinforcement detailing are based on the estimated elevations shown on the plans. The actual elevations may differ at each shaft and corresponding adjustments shall be made to the drilled shaft and reinforcement quantities and payment limits.
Reinforcement bars designated (E) shall be epoxy coated. Quantity of concrete in end post included with Concrete Superstructure on sheet 10 of 31.
**Provide 1/2 extra turns top and bottom of each drilled shaft. Extend spiral 2" into wingwall cap. Provide min. 4-#4 spacers or equivalent.
Minimum Lap for spirals = 1 1/2 turns.

NORTH ABUTMENT DETAILS
F.A.P. RT. 312 - SEC. 71BR
RANDOLPH COUNTY
STATION 1128+90
STRUCTURE NO. 079-0048

DESIGNED	T.L. Kurtenbach
CHECKED	J.E. Kramer
DRAWN	A.M. Seiber
CHECKED	JEK/TLK
A-1-DSD 6-7-02	

January 26, 2005
EXAMINED *Thomas J. Domagalicki*
ENGINEER OF BRIDGE DESIGN
PASSED *Ralph E. Anderson*
ENGINEER OF BRIDGES AND STRUCTURES