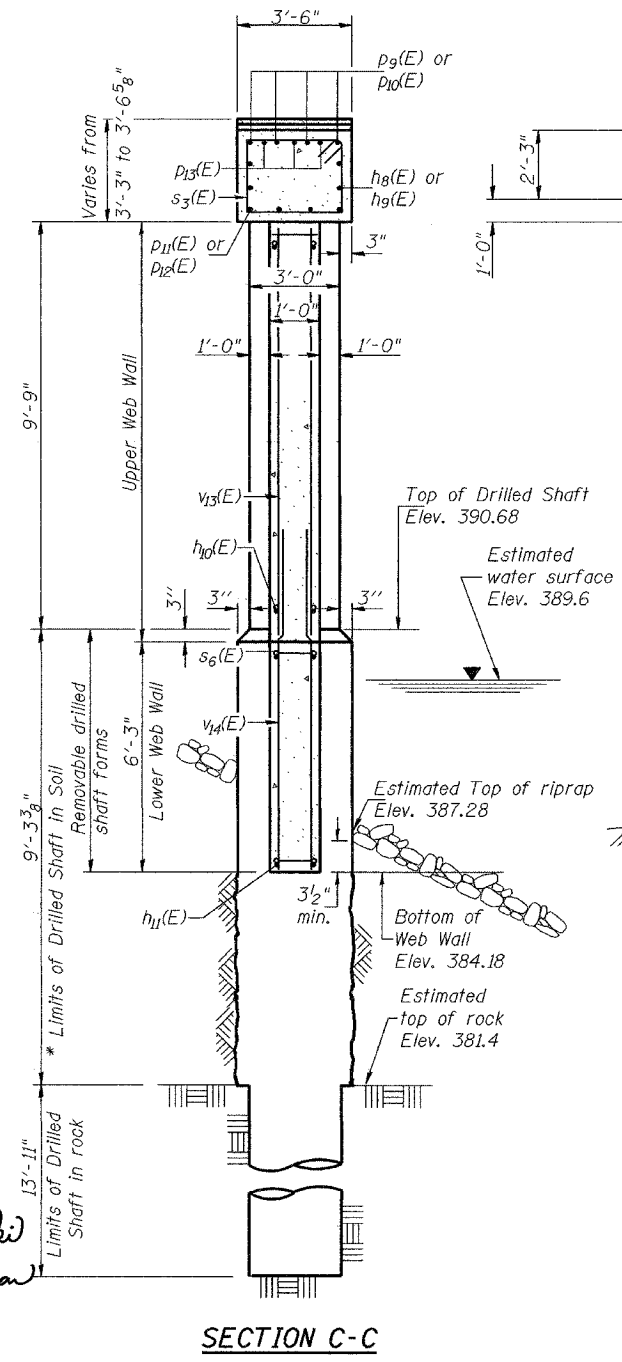
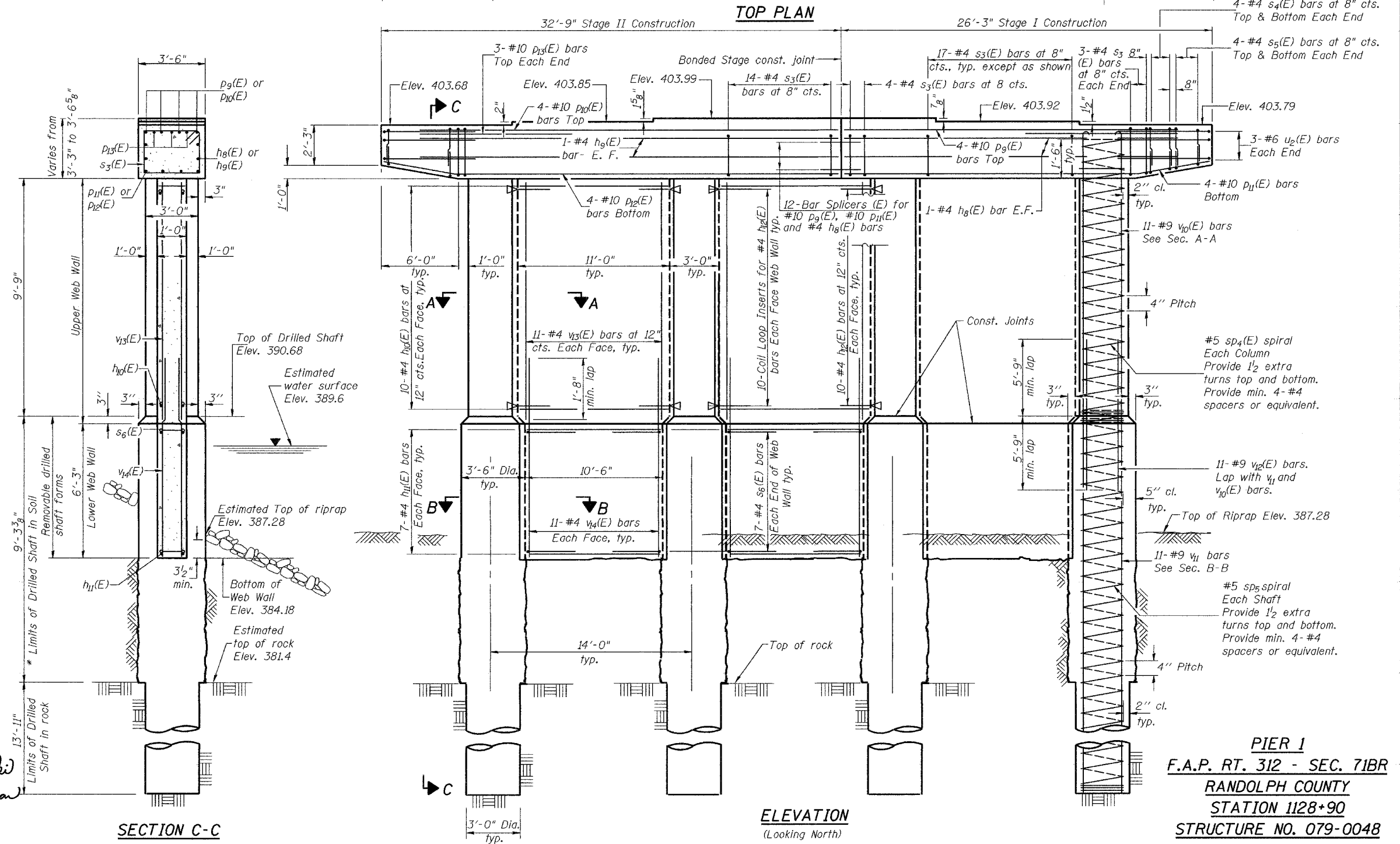
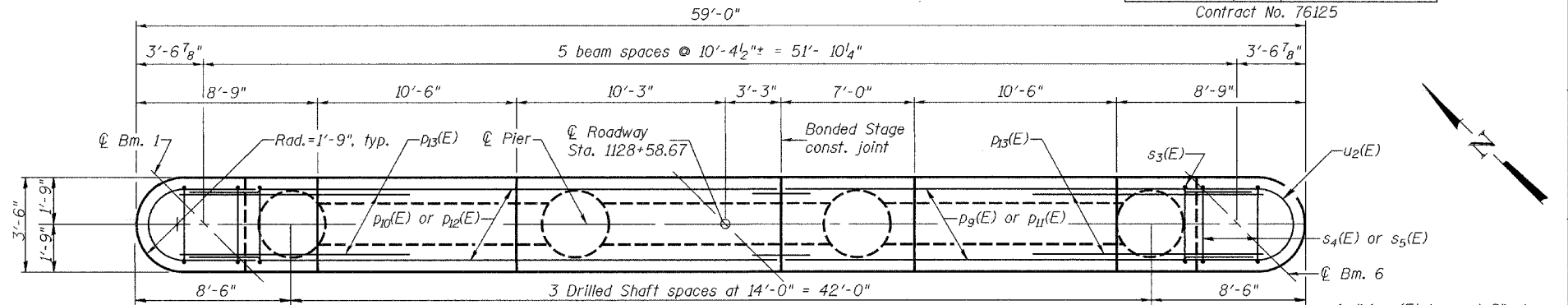


Notes:  
 Cast steps monolithically with cap.  
 Space cap reinforcement to miss anchor bolts.  
 Minimum lap for spirals = 1 1/2 turns.

STATE OF ILLINOIS  
 DEPARTMENT OF TRANSPORTATION

ROUTE NO.	SECTION	COUNTY	DATE	SHEET	SHEET NO. 23 31 SHEETS
F.A.P. 312	71BR	RANDOLPH	73	47	
FED. ROAD DIST. NO. 7	ILLINOIS	FED. AID PROJECT-			

Contract No. 76125



DESIGNED	T.L. Kurtenbach
CHECKED	J.E. Kramer
DRAWN	A.M. Seiber
CHECKED	JEK/TLK
P-DSWW 6-7-02	

January 26, 2005  
 EXAMINED *Thomas J. Domagalaki*  
 ENGINEER OF BRIDGE DESIGN  
 PASSED *Ralph E. Anderson*  
 ENGINEER OF BRIDGES AND STRUCTURES

PIER 1  
 F.A.P. RT. 312 - SEC. 71BR  
 RANDOLPH COUNTY  
 STATION 1128+90  
 STRUCTURE NO. 079-0048