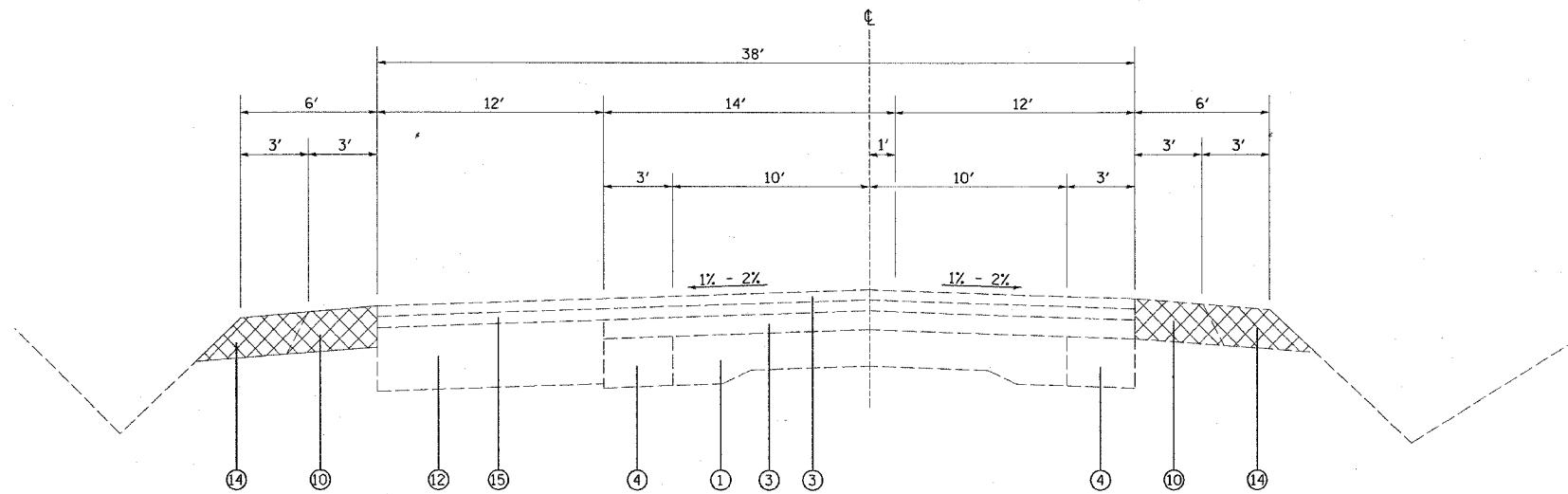
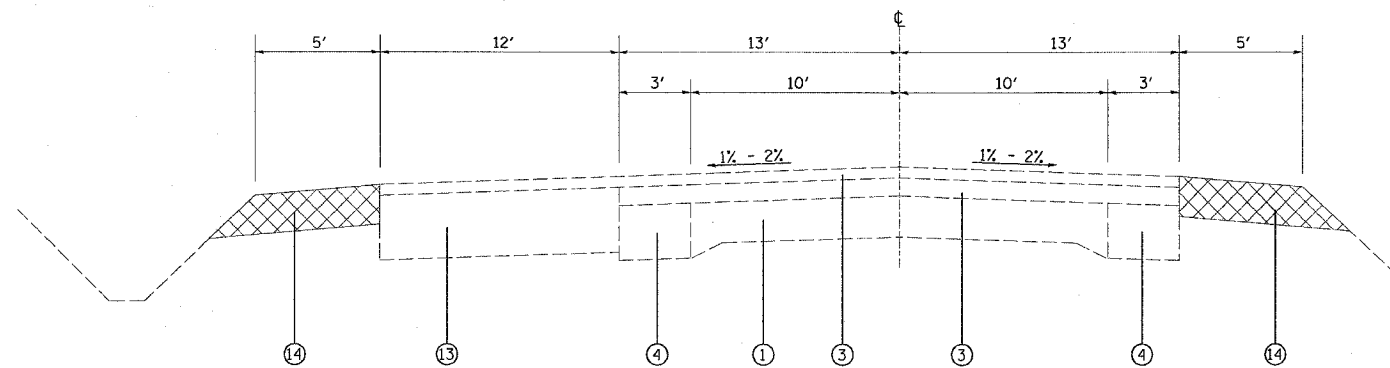


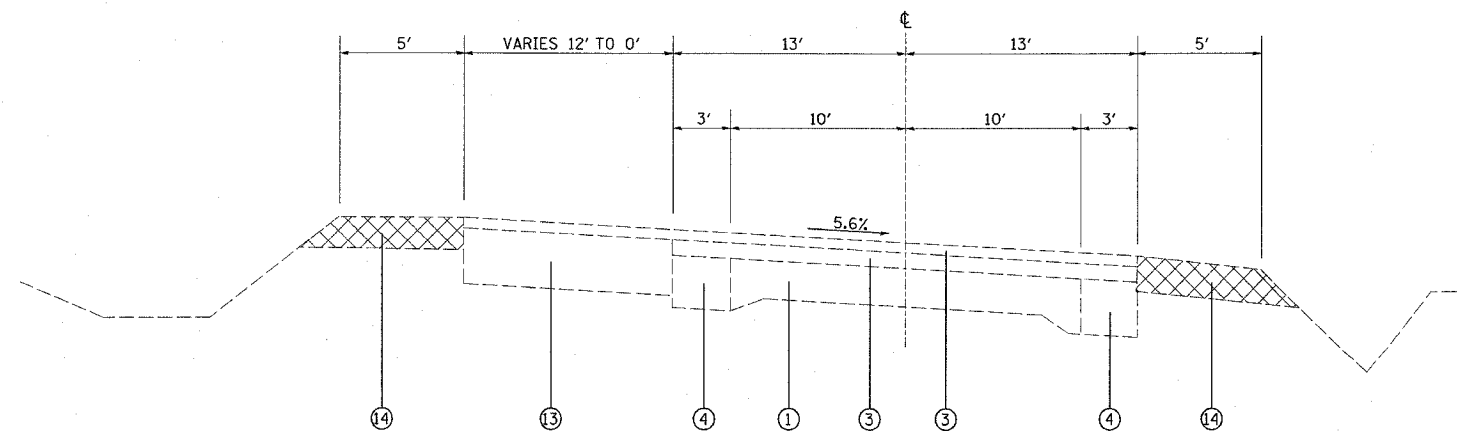
F&P NO.	SECTION	COUNTY	TOTAL SHEETS	SHEET NO.
586	60R-2,37R-1	MADISON	502	13
STA. 531+96.73		TO STA. 568+32.49		
CONTRACT NO: 76301				



TYPICAL SECTION
STA. 531+96.73 TO STA. 544+50



TYPICAL SECTION
STA. 544+50 TO STA. 559+86.20



SUPERELEVATED SECTION
STA. 559+86.20 TO STA. 568+32.49

LEGEND

- ① EXIST PCC PAVEMENT (9"-7"-9")
- ② EXIST BINDER COURSE, 2 1/4"
- ③ EXIST BITUMINOUS RESURFACING (VARIES)
- ④ EXIST BITUMINOUS WIDENING, 9"
- ⑤ EXIST JOINTED REINFORCED PCC PAVEMENT, 12 1/4"
- ⑥ EXIST SUB-BASE
- ⑦ EXIST CONCRETE MEDIAN TYPE SB-6.12 (TBR)
- ⑧ EXIST PIPE UNDERDRAINS, 4" (TBR)
- ⑨ EXIST BITUMINOUS SHOULDER 12 1/4" (TBR)
- ⑩ EXIST BITUMINOUS SHOULDER, 6" (TBR)
- ⑪ EXIST AGG SHOULDER, TYPE B WEDGE (TBR)
- ⑫ EXIST BITUMINOUS BASE COURSE, 12 1/2"
- ⑬ EXIST BITUMINOUS BASE COURSE, 10 1/2"
- ⑭ EXIST AGGREGATE SHOULDER, 6" (TBR)
- ⑮ EXIST BITUMINOUS CONCRETE BINDER COURSE, 1 3/4"
- ⑯ EXIST BAM BASE COURSE, 6"
- ⑰ EXIST CURB AND/OR CURB AND GUTTER
- ⑱ EXIST SIDEWALK
- ⑲ EXIST CONCRETE BASE COURSE
- ⑳ EXIST CONCRETE CURB
- ㉑ EXIST CONCRETE GUTTER, TYPE A
- ㉒ EXIST 2 1/2" BRICK SURFACE
- ㉓ EXIST MASTIC CUSHION
- ㉔ EXIST PAVEMENT MARKING
- ㉕ PROP BITUMINOUS SURFACE REMOVAL (VAR DEPTH)
- ㉖ PROP BITUMINOUS SURFACE REMOVAL (1")
- ㉗ PROP BITUMINOUS SURFACE REMOVAL (1 1/2")
- ㉘ PROP PCC BASE COURSE, 12 1/4"
- ㉙ PROP BITUMINOUS BINDER COURSE SUPERPAVE, IL 19.0, N90, 11 1/2"
- ㉚ PROP BITUMINOUS MATERIALS (PRIME COAT)
- ㉛ PROP AGGREGATE (PRIME COAT)
- ㉜ PROP LEVELING BINDER (MM), SUPERPAVE N90, 1"
- ㉝ PROP POLYMERIZED BIT SURFACE COURSE, SUPERPAVE, MIX E, N90, 1 1/2"
- ㉞ PROP CONCRETE MEDIAN SURFACE, 4"
- ㉟ PROP COMB CONCRETE CURB AND GUTTER, TYPE B-6.24
- ㊱ PROP COMB CONCRETE CURB AND GUTTER, TYPE B-6.12
- ㊲ PROP COMB CONCRETE CURB AND GUTTER, TYPE M-6.06
- ㊳ PROP COMB CONCRETE CURB AND GUTTER, TYPE M-6.24
- ㊴ PROP THERMOPLASTIC PAVEMENT MARKING
- ㊵ PROP STORM SEWER
- ㊶ PROP LEVELING BINDER (MM), SUPERPAVE N70, 3/4"
- ㊷ PROP POLYMERIZED BIT SURFACE COURSE, SUPERPAVE, MIX E, N70, 1 1/2"
- ㊸ PROP BITUMINOUS SHOULDER, 8"
- ㊹ PROP AGGREGATE SHOULDER TYPE A
- ㊺ PROP GUTTER, TYPE A
- ㊻ PROP PCC SIDEWALK, 4"
- ㊼ PROP PCC PAVEMENT, 8"
- ㊽ PROP STRIP REFLECTIVE CRACK CONTROL
- ㊾ PROP TIE BAR

REVISIONS	
NAME	DATE

ILLINOIS DEPARTMENT OF TRANSPORTATION
TYPICAL SECTIONS
F&P ROUTE 586 (IL 162)
SECTION 60R-2,37R-1
MADISON COUNTY

DRAWN BY:

DATE	BY

PLAN	NO.