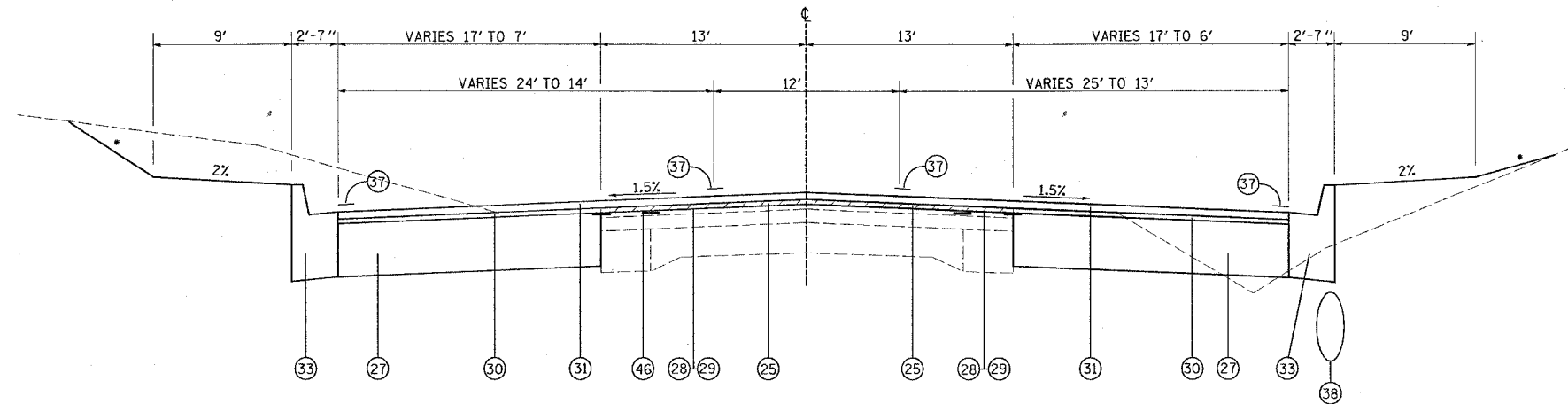
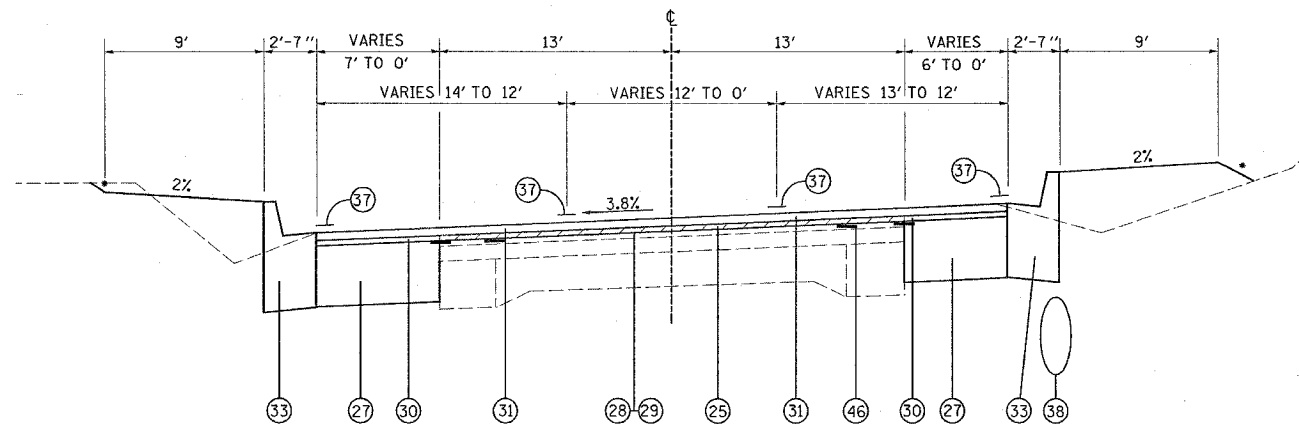


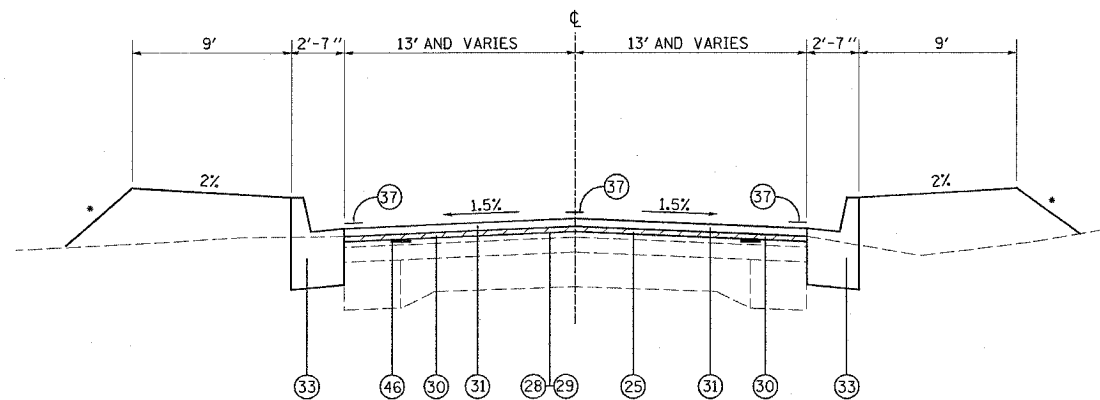
FAP ROUTE	SECTION	COUNTY	TOTAL SHEETS	SHEET NO
586	60R-2,37R-1	MADISON	502	19
STA. 568+18.23		TO STA. 582+31.21		
CONTRACT NO: 76301				



PROPOSED TYPICAL SECTION
STA. 568+18.23 TO STA. 572+89.72



PROPOSED SUPERELEVATED SECTION
STA. 572+89.72 TO STA. 577+62.26



PROPOSED TYPICAL SECTION
STA. 577+62.26 TO STA. 582+31.21

LEGEND

- ① EXIST PCC PAVEMENT (9'-7"-9")
- ② EXIST BINDER COURSE, 2 1/4"
- ③ EXIST BITUMINOUS RESURFACING (VARIES)
- ④ EXIST BITUMINOUS WIDENING, 9"
- ⑤ EXIST JOINTED REINFORCED PCC PAVEMENT, 12 1/4"
- ⑥ EXIST SUB-BASE
- ⑦ EXIST CONCRETE MEDIAN TYPE SB-6.12 (TBR)
- ⑧ EXIST PIPE UNDERDRAINS, 4" (TBR)
- ⑨ EXIST BITUMINOUS SHOULDER 12 1/4" (TBR)
- ⑩ EXIST BITUMINOUS SHOULDER, 6" (TBR)
- ⑪ EXIST AGG SHOULDER, TYPE B WEDGE (TBR)
- ⑫ EXIST BITUMINOUS BASE COURSE, 12 1/2"
- ⑬ EXIST BITUMINOUS BASE COURSE, 10 1/2"
- ⑭ EXIST AGGREGATE SHOULDER, 6" (TBR)
- ⑮ EXIST BITUMINOUS CONCRETE BINDER COURSE, 1 3/4"
- ⑯ EXIST BAM BASE COURSE, 6"
- ⑰ EXIST CURB AND/OR CURB AND GUTTER
- ⑱ EXIST SIDEWALK
- ⑲ EXIST CONCRETE BASE COURSE
- ⑳ EXIST CONCRETE CURB
- ㉑ EXIST CONCRETE GUTTER, TYPE A
- ㉒ EXIST 2 1/2" BRICK SURFACE
- ㉓ EXIST MASTIC CUSHION
- ㉔ EXIST PAVEMENT MARKING
- ㉕ PROP BITUMINOUS SURFACE REMOVAL (VAR DEPTH)
- ㉖A PROP BITUMINOUS SURFACE REMOVAL (1")
- ㉖B PROP BITUMINOUS SURFACE REMOVAL (1 1/2")
- ㉗ PROP PCC BASE COURSE, 12 1/4"
- ㉘ PROP BITUMINOUS BINDER COURSE SUPERPAVE, IL 19.0, N90, 11 1/2"
- ㉙ PROP BITUMINOUS MATERIALS (PRIME COAT)
- ㉚ PROP AGGREGATE (PRIME COAT)
- ㉛ PROP LEVELING BINDER (MM), SUPERPAVE N90, 1"
- ㉜ PROP POLYMERIZED BIT SURFACE COURSE, SUPERPAVE, MIX E, N90, 1 1/2"
- ㉝ PROP CONCRETE MEDIAN SURFACE, 4"
- ㉞ PROP COMB CONCRETE CURB AND GUTTER, TYPE B-6.24
- ㉟ PROP COMB CONCRETE CURB AND GUTTER, TYPE B-6.12
- ㊱ PROP COMB CONCRETE CURB AND GUTTER, TYPE M-6.06
- ㊲ PROP COMB CONCRETE CURB AND GUTTER, TYPE M-6.24
- ㊳ PROP THERMOPLASTIC PAVEMENT MARKING
- ㊴ PROP STORM SEWER
- ㊵ PROP LEVELING BINDER (MM), SUPERPAVE N70, 3/4"
- ㊶ PROP POLYMERIZED BIT SURFACE COURSE, SUPERPAVE, MIX E, N70, 1 1/2"
- ㊷ PROP BITUMINOUS SHOULDER, 8"
- ㊸ PROP AGGREGATE SHOULDER TYPE A
- ㊹ PROP GUTTER, TYPE A
- ㊺ PROP PCC SIDEWALK, 4"
- ㊻ PROP PCC PAVEMENT, 8"
- ㊼ PROP STRIP REFLECTIVE CRACK CONTROL
- ㊽ PROP TIE BAR

STA. 531+96.73 TO STA. 577+62.26

STRUCTURAL DESIGN TRAFFIC:		Year: 2015
PV = 29988	SU = 1138	MU = 474
ROAD/STREET CLASSIFICATION: Class I		
PERCENT OF STRUCTURAL DESIGN TRAFFIC IN DESIGN LANE:		
P = 32	S = 45	M = 45
TRAFFIC FACTOR:	Actual TF = 3.44	AC Type = 20
	Minimum TF = 4.27	
PG GRADE: Binder = 64-22	Surface = 70-22	
SUBGRADE SUPPORT RATING:		
SSR = POOR		

• SEE CROSS SECTIONS FOR SLOPE

REVISIONS	
NAME	DATE

ILLINOIS DEPARTMENT OF TRANSPORTATION
TYPICAL SECTIONS

FAP ROUTE 586 (IL 162)
SECTION 60R-2,37R-1
MADISON COUNTY

DRAWN BY:

PLOT DATE: Friday July 02, 2004 @ 7:30:45 AM

DATE	
BY	
PLANNED	
CHECKED	
APPROVED	
FILE NO.	

7/2/2004 10:30:45 AM
C:\p04\586\586r237r1\typsec\typsec.dwg LV:1-163