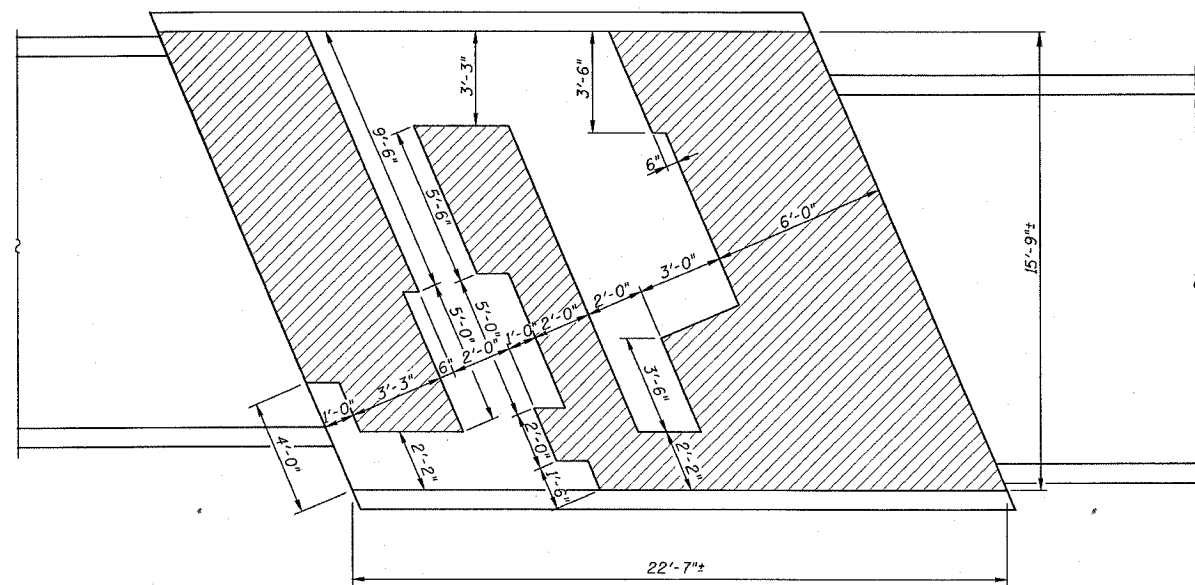



ROUTE NO.	SECTION	COUNTY	TOTAL SHEETS	SHEET NO.
FAP 586	60R-2, 37R-1	MADISON	502	234

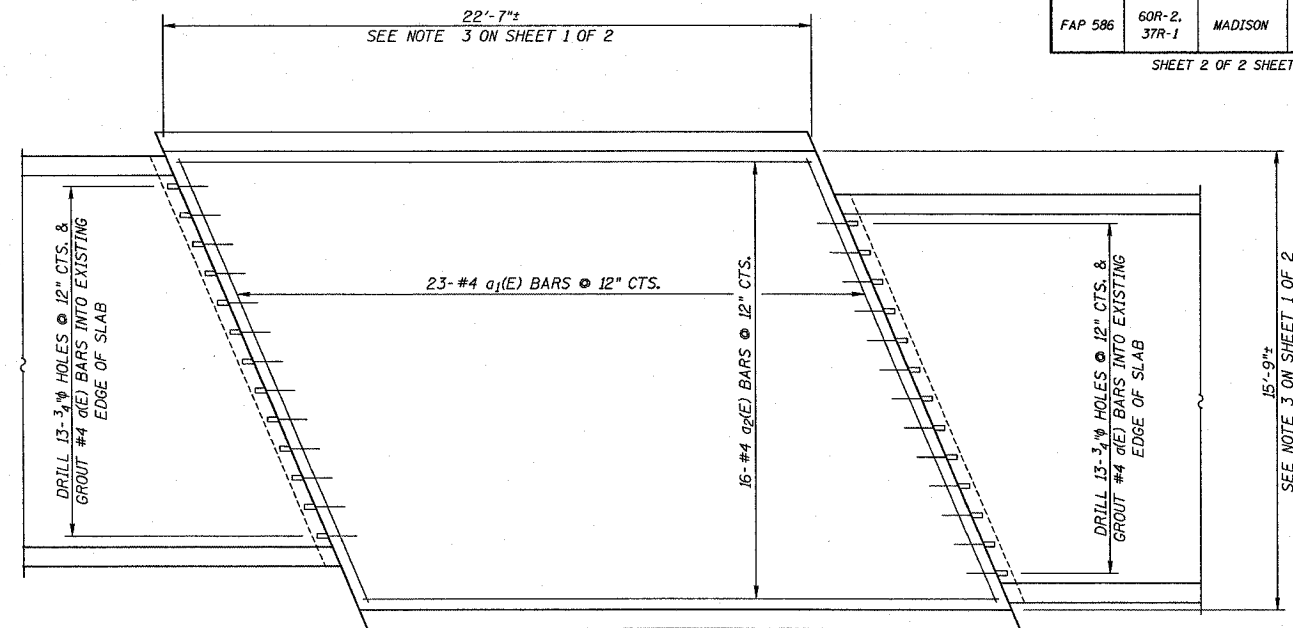
SHEET 2 OF 2 SHEETS



**REFLECTED TOP SLAB REPAIR PLAN - ORIGINAL STRUCTURE**


 CLEANING AND PAINTING EXPOSED REBAR (SEE SPECIAL PROVISIONS) = 225 SQ. FT. SEE TYPICAL REPAIR DETAIL.

**MIN. BAR LAP**  
 #4 = 1'-1"

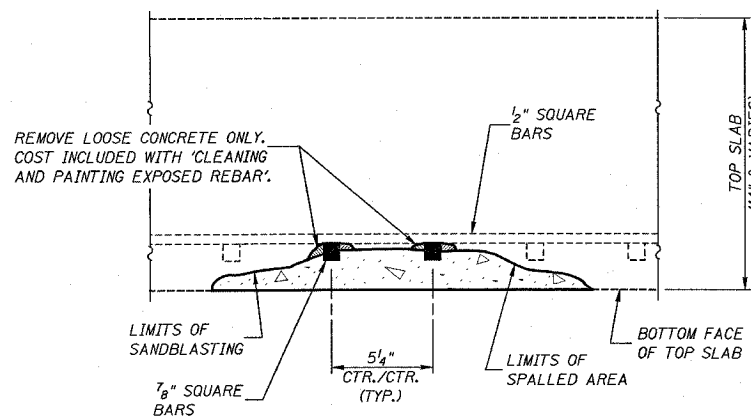


**PLAN - ORIGINAL STRUCTURE**

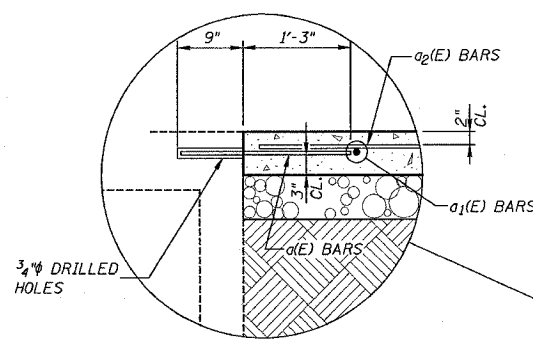
**BAR LIST**

Bar	No.	Size	Length	Shape
a(E)	26	#4	2'-0"	—
a1(E)	23	#4	17'-0"	—
a2(E)	16	#4	22'-3"	—
REINFORCEMENT BARS, EPOXY COATED			POUND	540

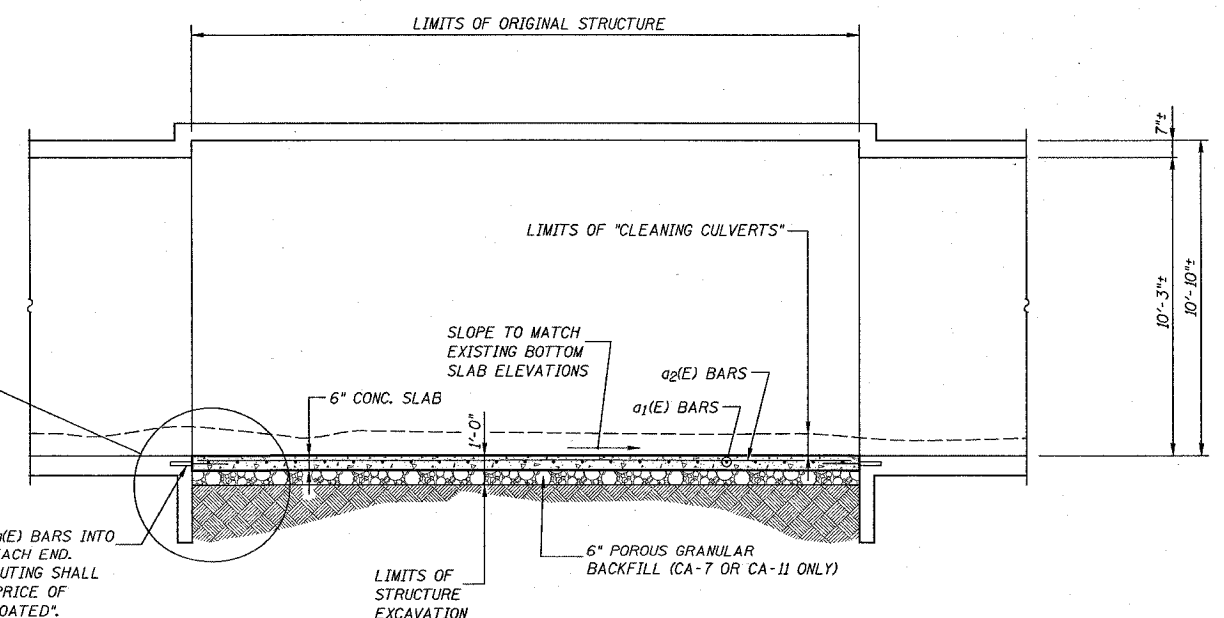
REINFORCEMENT BARS DESIGNATED (E) SHALL BE EPOXY COATED.



**TYPICAL REPAIR DETAIL**



DRILL 3/4" HOLES & GROUT #4 a(E) BARS INTO EXISTING EDGE OF SLAB, TYP. EACH END. THE COST OF DRILLING AND GROUTING SHALL BE INCLUDED IN THE UNIT BID PRICE OF "REINFORCEMENT BARS, EPOXY COATED".



**LONGITUDINAL SECTION - ORIGINAL CULVERT**

**REPAIR DETAILS**  
 F.A.P. ROUTE 586 (IL. 162)  
 OVER UNNAMED TRIBUTARY  
 SECTION 60R-2, 37R-1  
 MADISON COUNTY  
 S.N. 060-0403

DESIGNED:	B.G.H.
CHECKED:	L.D.G.
DRAWN:	K.H.L.
CHECKED:	B.G.H.