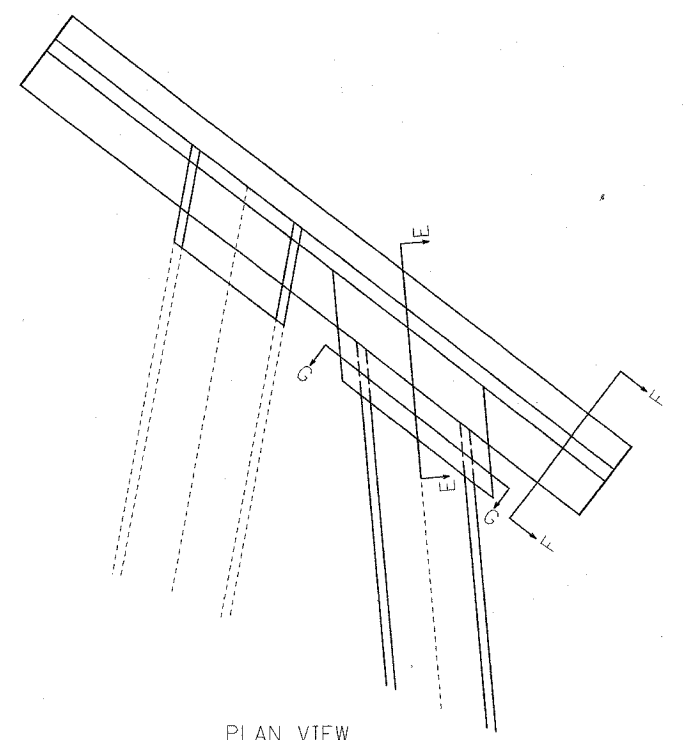
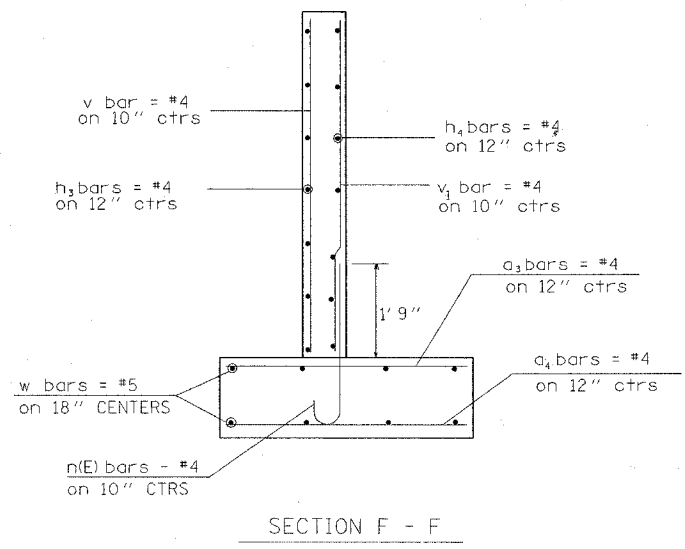


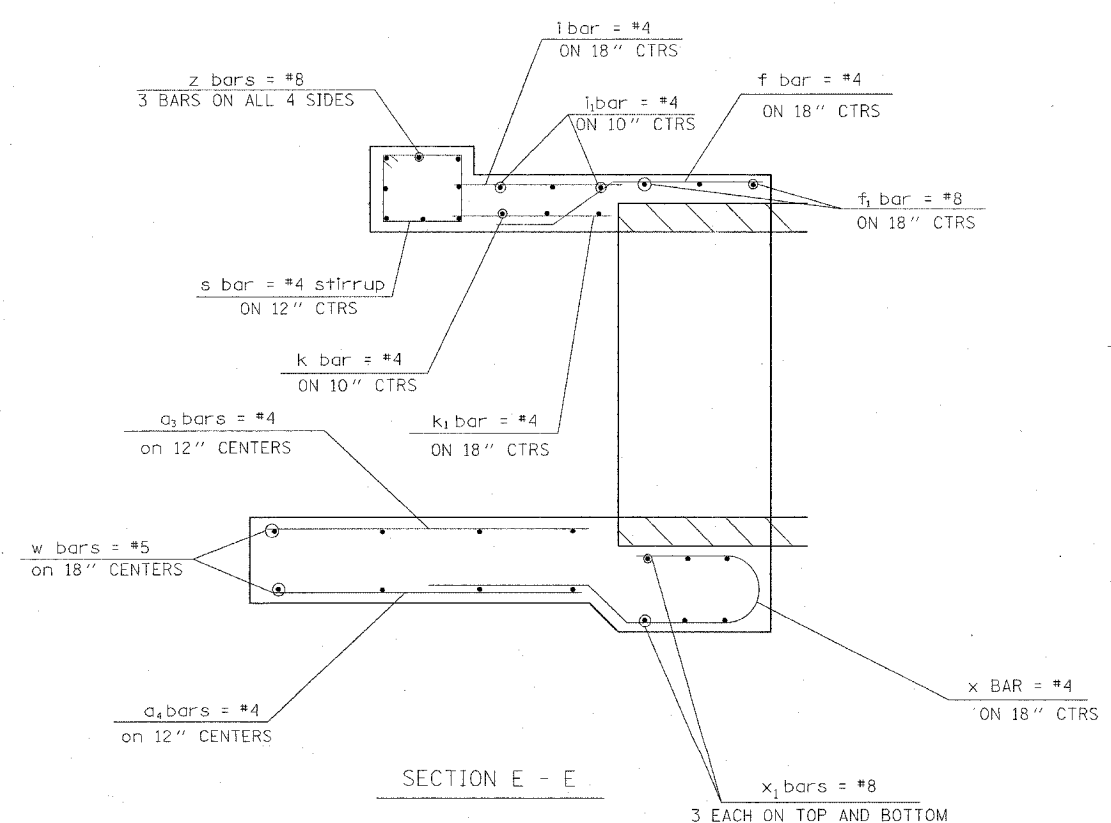
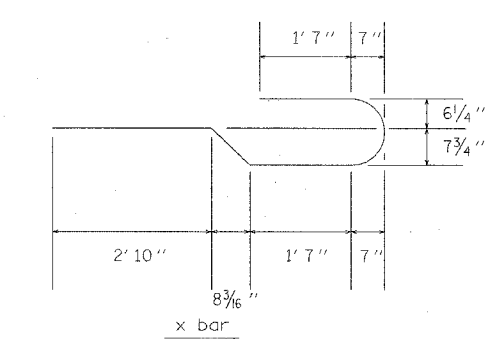
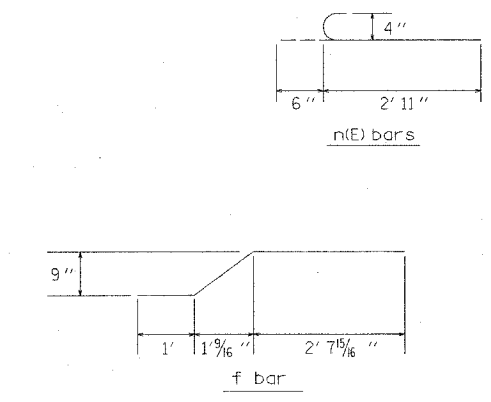
FAP ROUTE	SECTION	COUNTY	TOTAL SHEETS	SHEET NO
586	60R-2, 37R-1	MADISON	502	241
CONTRACT #76301				



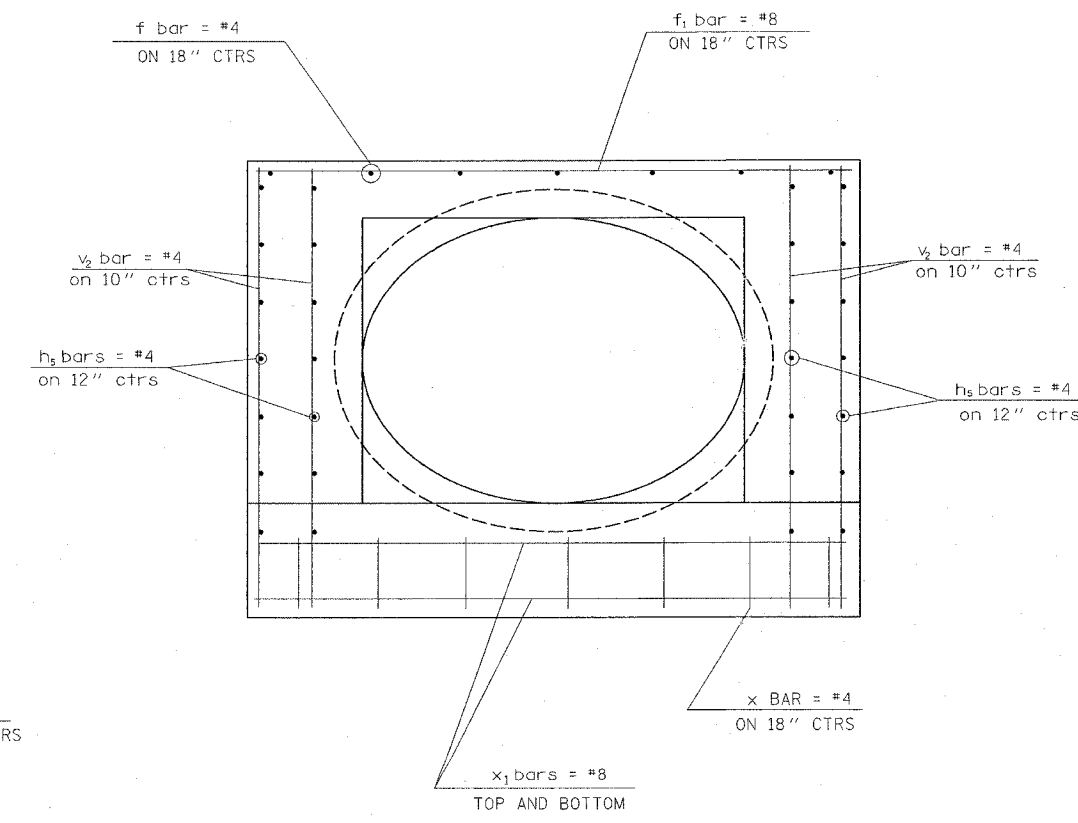
PLAN VIEW



SECTION F - F



SECTION E - E



SECTION G - G

REVISIONS	
NAME	DATE

ILLINOIS DEPARTMENT OF TRANSPORTATION  
 BOX CULVERT  
 STA. 100+48.24 (HWY 40)  
 UPSTREAM END TREATMENT  
 FAP ROUTE 586 (IL 162)  
 SECTION 60R-2, 37R-1  
 MADISON COUNTY  
 DRAWN BY:

PLAN	DATE
SUBMITTED	BY
ALIGNED	CHECKED
NO. OF REVISIONS	NO.
NO.	FILE NAME