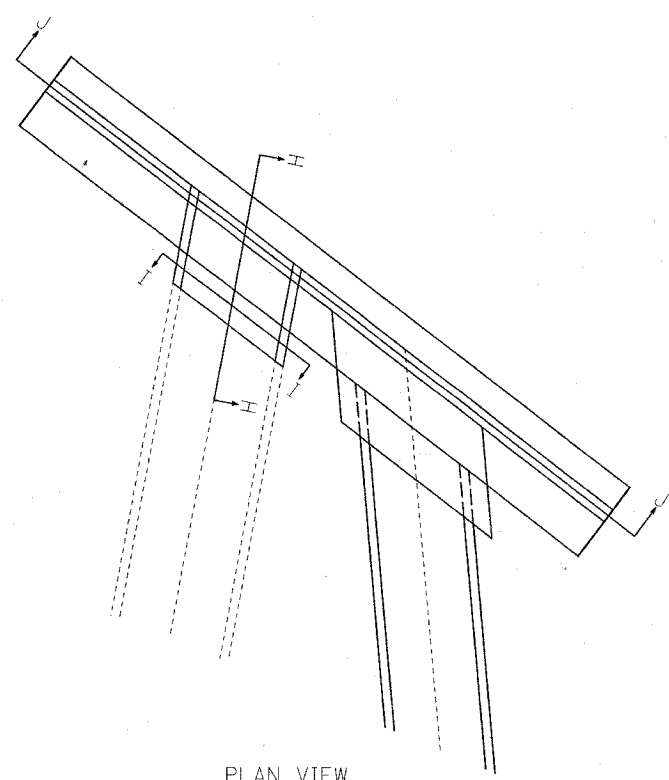
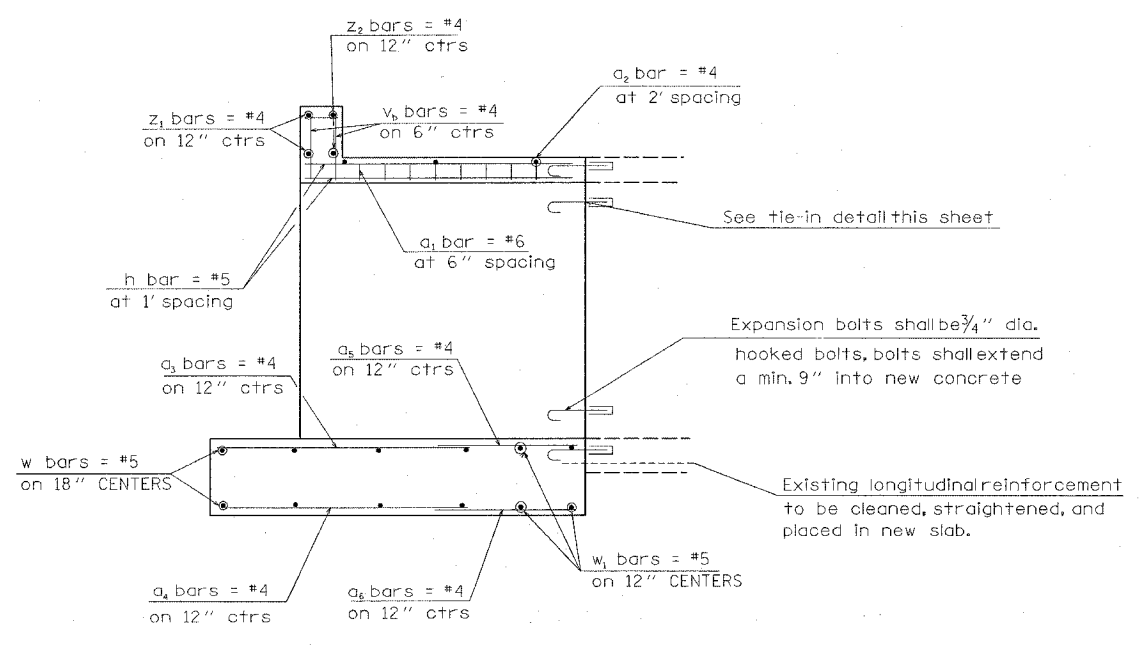
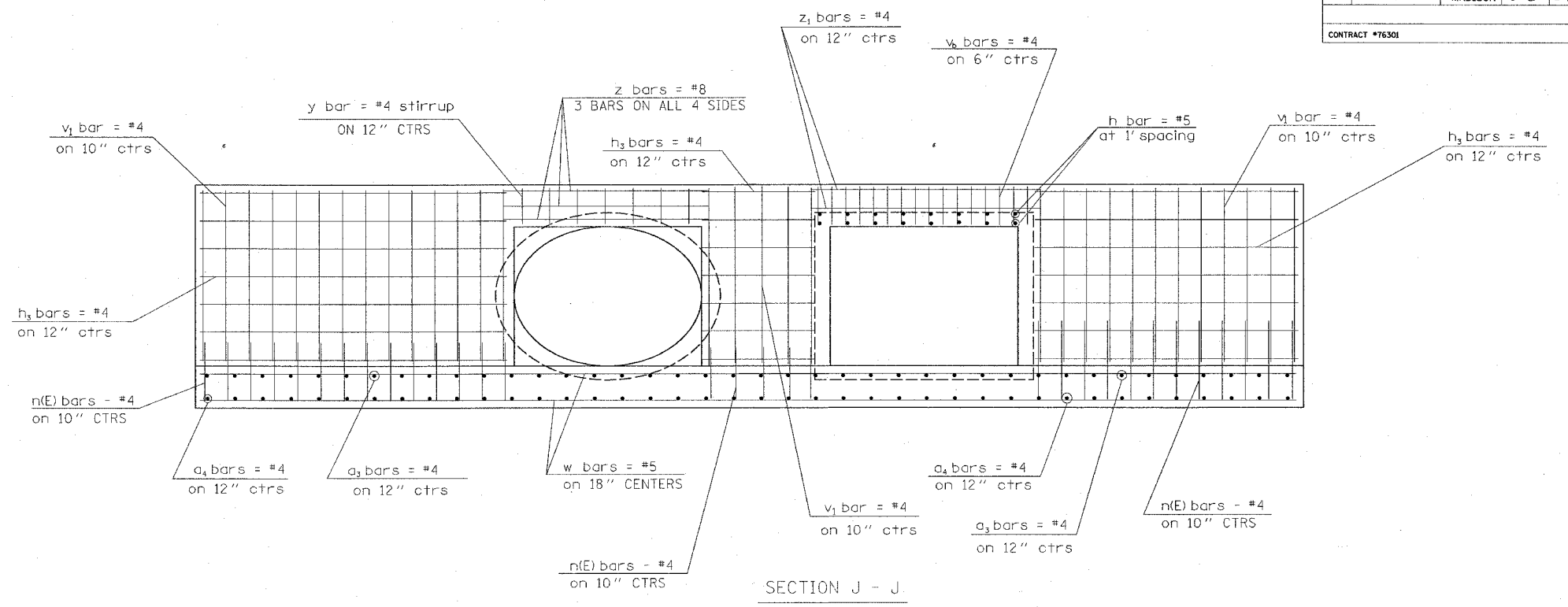


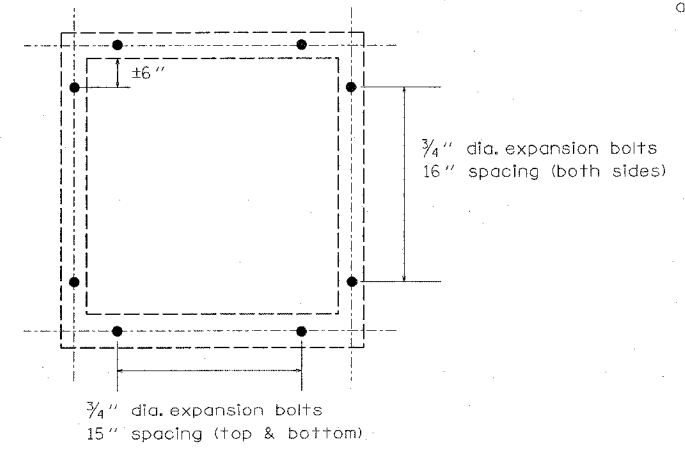
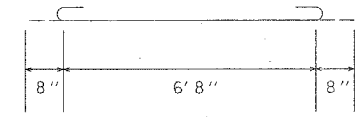
FAP ROUTE	SECTION	COUNTY	TOTAL SHEETS	SHEET NO.
586	60R-2, 37R-1	MADISON	502	242
CONTRACT #76301				



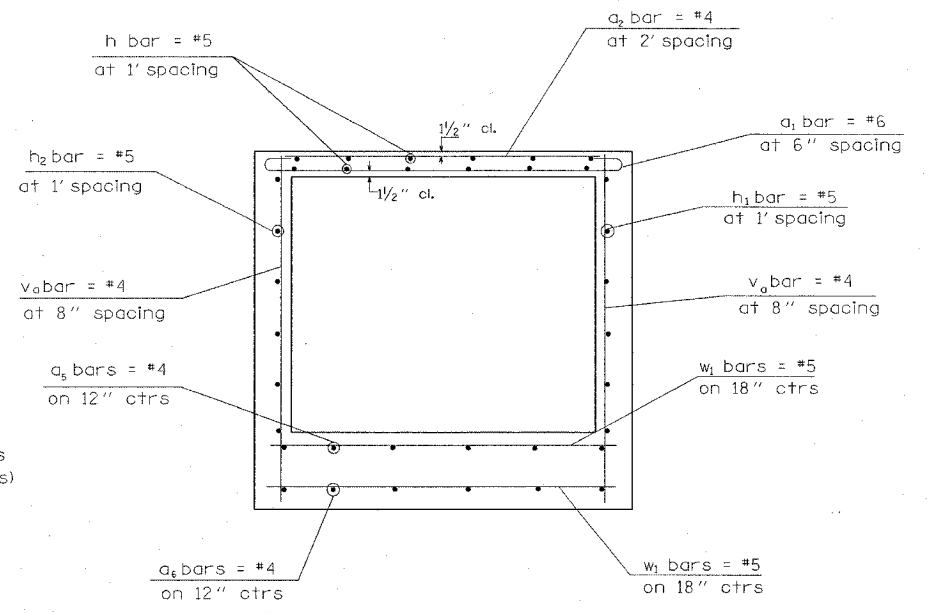
PLAN VIEW



SECTION H - H



EXISTING TIE-IN DETAIL



SECTION I - I

REVISIONS	
NAME	DATE

ILLINOIS DEPARTMENT OF TRANSPORTATION  
 BOX CULVERT  
 STA. 100+48.24 (HWY 40)  
 UPSTREAM END TREATMENT  
 FAP ROUTE 586 (IL 162)  
 SECTION 60R-2, 37R-1  
 MADISON COUNTY

DRAWN BY:

PLAN	DATE
BY	
CHECKED	
DESIGNED	
NOTED	
NO.	