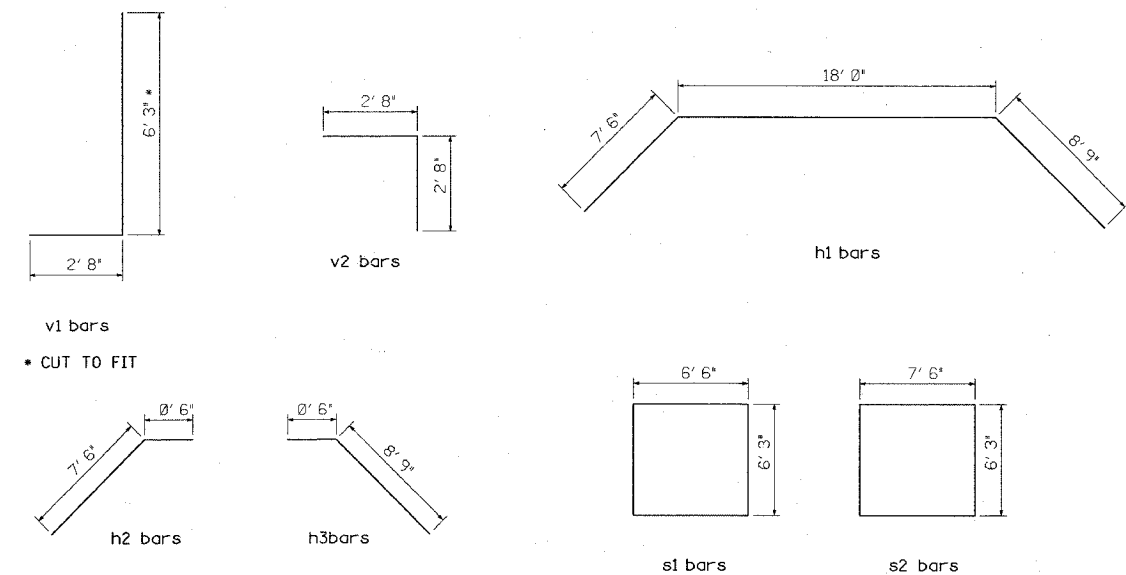
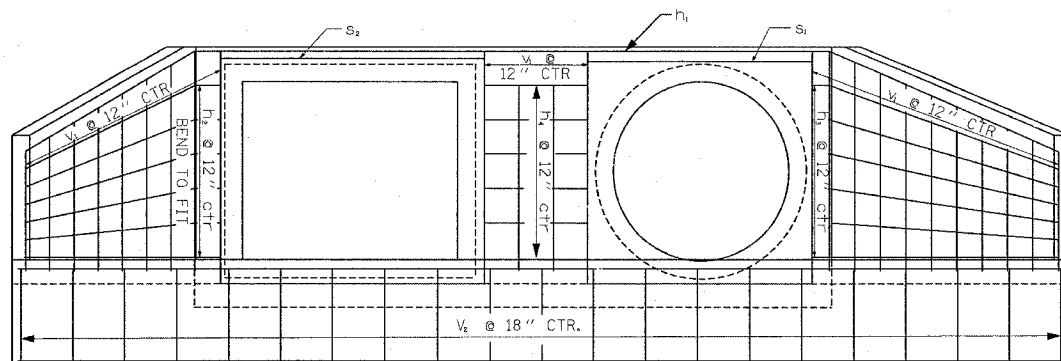
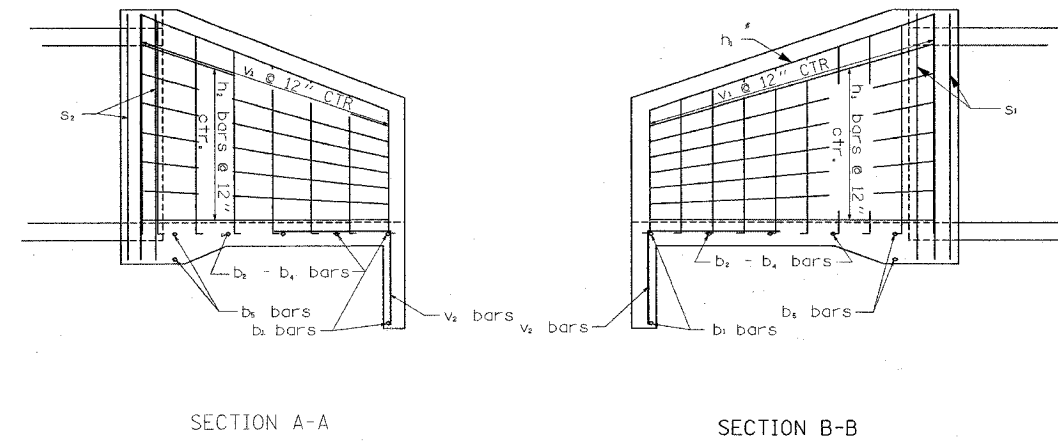
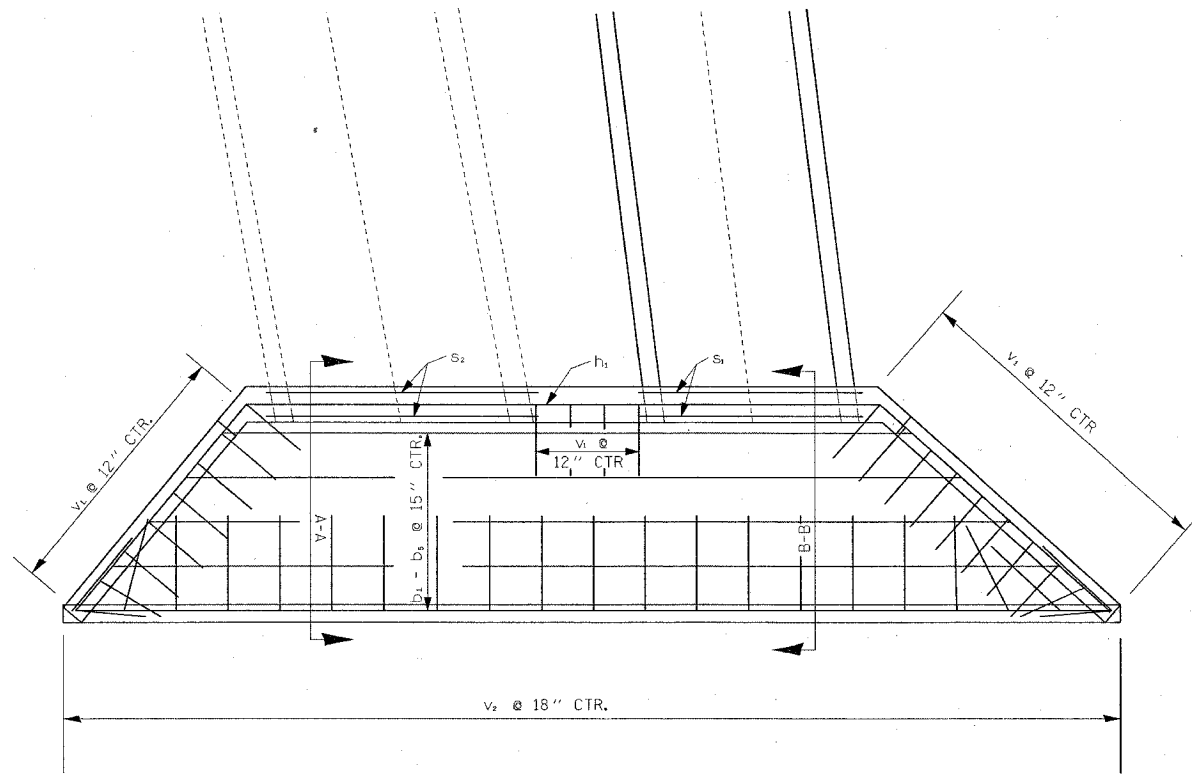


FAP ROUTE	SECTION	COUNTY	TOTAL SHEETS	SHEET NO.
586	60R-2, 3TR-1	MADISON	502	243
CONTRACT NO.: 76301				

PLAN	SURVEYED	DATE
	PLOTTED	
	CHECKED	
	BY	
	NO. OF PAGES CHECKED	
	DATE	
	FILE NAME	



NOT TO SCALE

ILLINOIS DEPARTMENT OF TRANSPORTATION

BOX CULVERT  
 STA 100+48.24 (HWY 40)  
 DOWNSTREAM STRUCTURE  
 FAP ROUTE 586 (IL 162)  
 SECTION 60R-2, 3TR-1  
 MADISON COUNTY

REVISIONS	
NAME	DATE

DRAWN BY:

PLOT DATE: Fri July 02, 2004 @ 10:13:23 AM