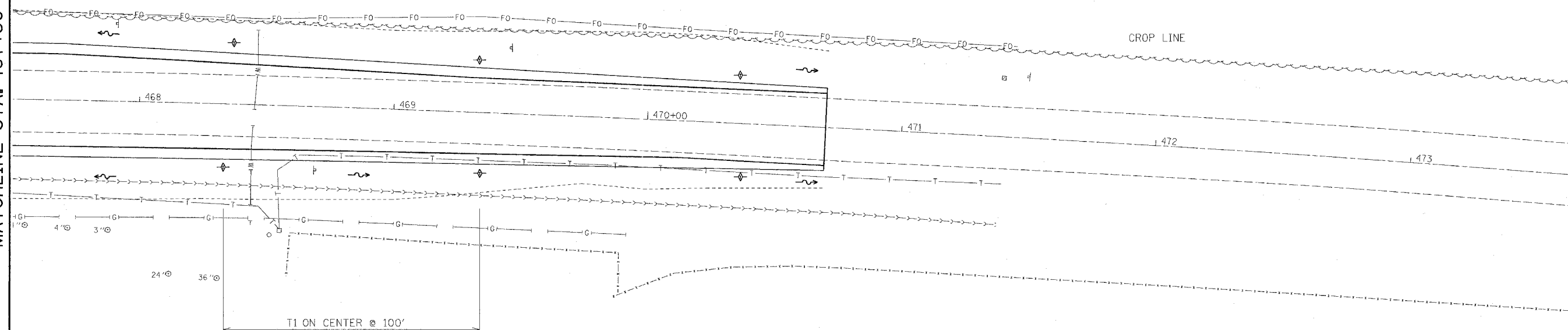


FAP ROUTE	SECTION	COUNTY	TOTAL SHEETS	SHEET NO
604	102TS	MADISON	37	15
STA.		TO STA.		
CONTRACT NO.: 76798				

PLAN	SURVEYED	BY	DATE
NO.	NOTE BOOK		
	ALIGNMENT CHECKED		
	FIELD FILE NAME		

MATCHLINE STA. 467+50



ILLINOIS DEPARTMENT OF TRANSPORTATION
EROSION CONTROL PLAN

FAP ROUTE 604
SECTION 102TS
MADISON COUNTY

DRAWN BY:

PLOT DATE: Friday January 07, 2005 @ 11:43:25 AM

- ◆ T1 TEMPORARY DITCH CHECKS ON CENTER @ 100'
- ◆ T2 INLET & PIPE PROTECTION

REVISIONS	
NAME	DATE