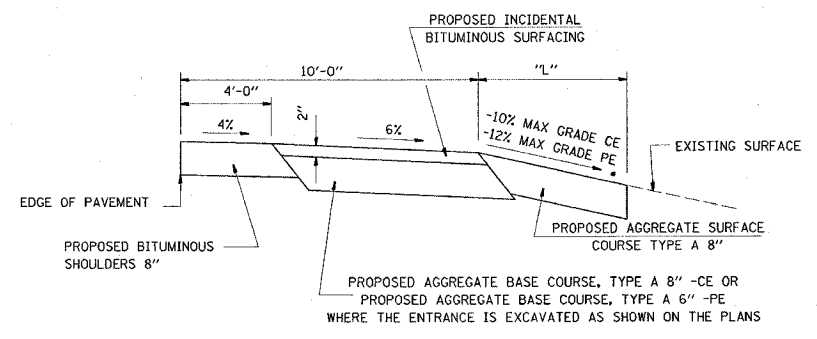
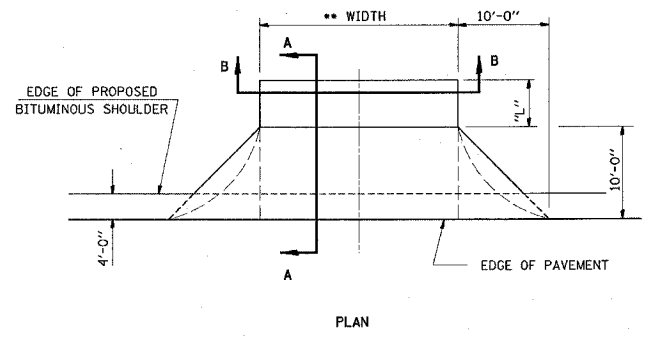


FAP ROUTE	SECTION	COUNTY	TOTAL SHEETS	SHEET NO.
604	102TS	MADISON	37	24
STA. TO STA.		CONTRACT NO.: 76798		

**DETAIL OF AGGREGATE ENTRANCES**

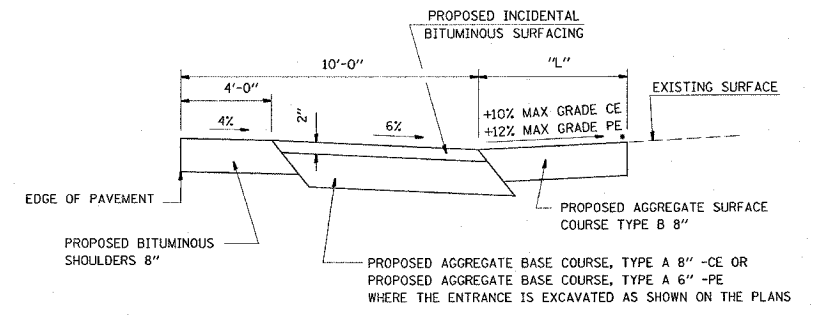
W/ BITUMINOUS SHOULDERS  
COMMERCIAL & PRIVATE ENTRANCES

•• ALLOWABLE ENTRANCE WIDTHS:  
PRIVATE 12' TO 24'  
COMMERCIAL 35' MAXIMUM  
ALLOWABLE ENTRANCE WIDTH  
SHALL BE INTERPRETED TO BE  
THE WIDTHS AT THE SPECIFIED  
COMPLETED RADIUS.



SECTION A-A WITH NEGATIVE GRADE

• SEE CROSS SECTIONS FOR SLOPES



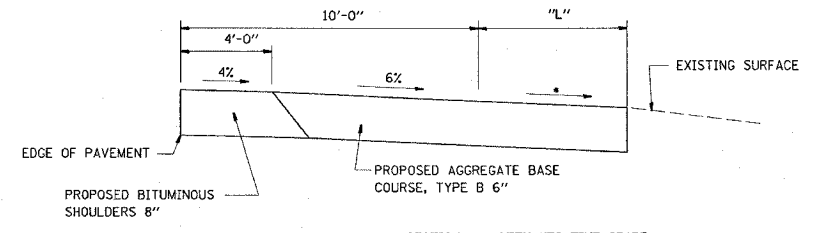
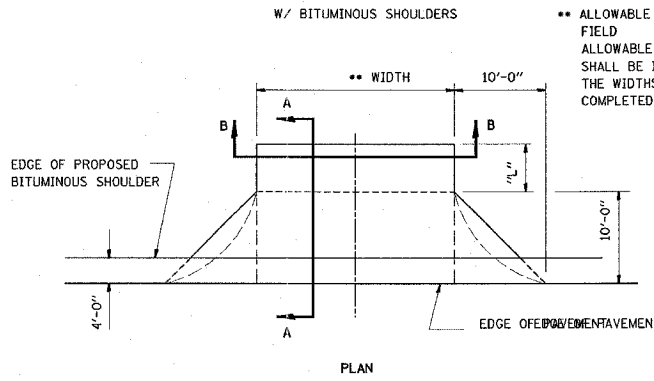
SECTION A-A WITH POSITIVE GRADE

• SEE CROSS SECTIONS FOR SLOPES

**DETAIL OF FIELD ENTRANCES**

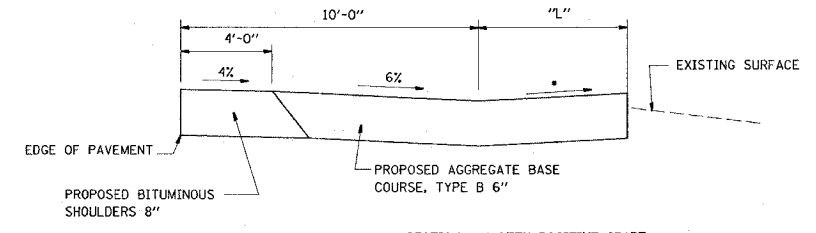
W/ BITUMINOUS SHOULDERS

•• ALLOWABLE ENTRANCE WIDTHS:  
FIELD 20' MINIMUM  
ALLOWABLE ENTRANCE WIDTH  
SHALL BE INTERPRETED TO BE  
THE WIDTHS AT THE SPECIFIED  
COMPLETED RADIUS.



SECTION A-A WITH NEGATIVE GRADE

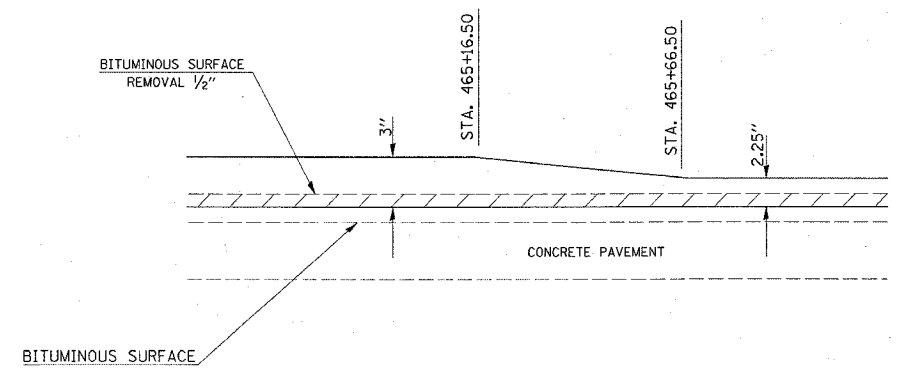
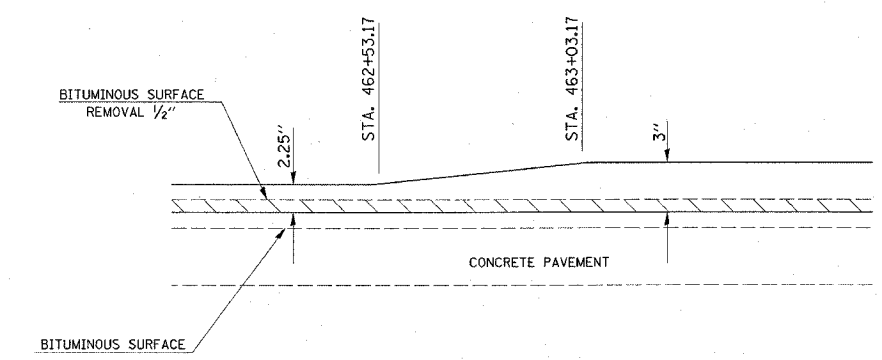
• SEE CROSS SECTIONS FOR SLOPES



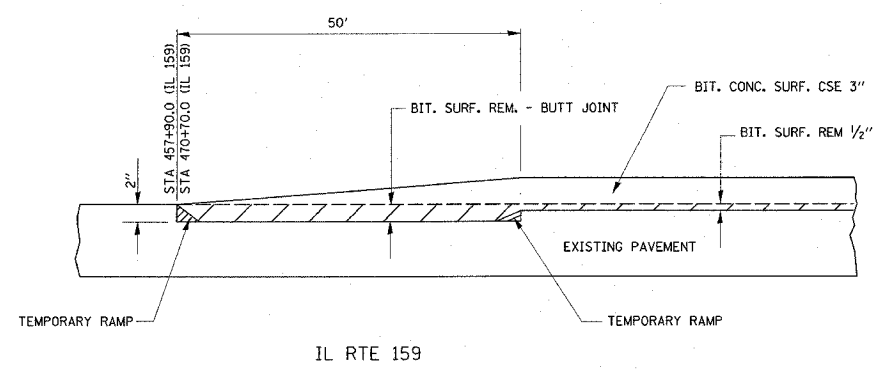
SECTION A-A WITH POSITIVE GRADE

• SEE CROSS SECTIONS FOR SLOPES

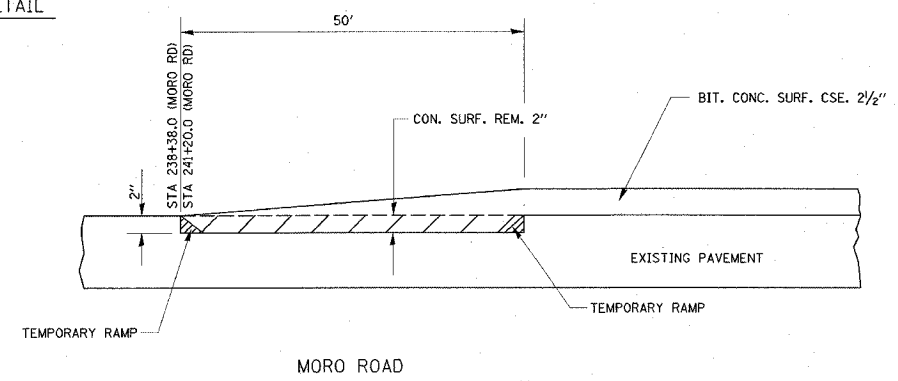
**TRANSITION DETAIL  
IL ROUTE 159**



**BUTT JOINT DETAIL**



IL RTE 159



MORO ROAD

REVISIONS	
NAME	DATE

ILLINOIS DEPARTMENT OF TRANSPORTATION  
**ENTRANCE, TRANSITION,  
& BUTT JOINT DETAILS**

FAP ROUTE 604  
SECTION 102TS  
MADISON COUNTY

DRAWN BY:

PLOT DATE: 12/27/2005

PLAN SURVEYED  
NOTE BOOK NO. OF WA CHECKED  
NO. OF ADD FILE NAME

1/27/2005  
C:\p\051\8e\059048\plan\059048.dgn  
REF-  
REF-