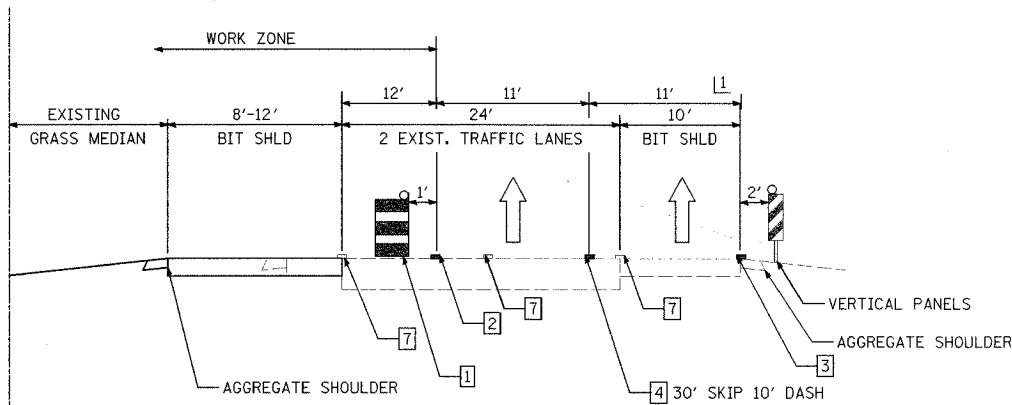


F.A.I. ROUTE	SECTION	COUNTY	TOTAL SHEETS	SHEET NO.
80-55	99-1(K,BY&AC-B)	WILL	497	75
STA.	TO STA.			
FED. ROAD DIST. NO. 1	ILLINOIS	FED. AID PROJECT		CONTRACT NUMBER: 80906

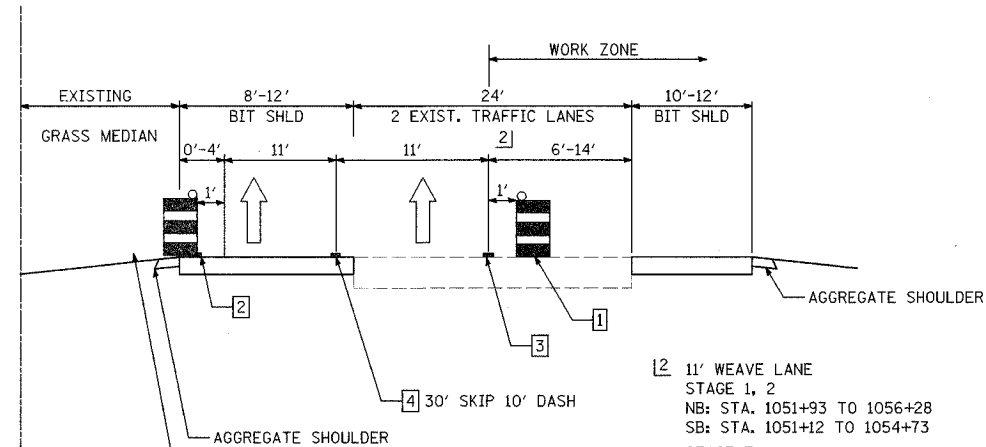
☉ F.A.I. 55



1 12' WEAVE LANE
NB: STA. 1051+33 TO 1056+72
SB: STA. 1050+61 TO 1055+99

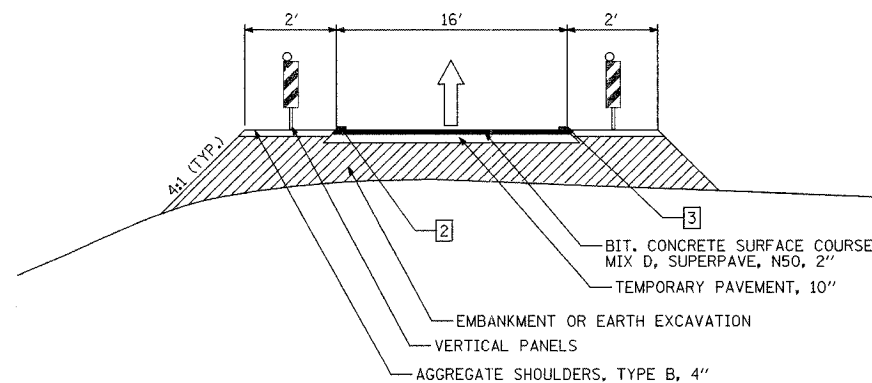
F.A.I. 55 PRE-STAGE

☉ F.A.I. 55



2 11' WEAVE LANE
STAGE 1, 2
NB: STA. 1051+93 TO 1056+28
SB: STA. 1051+12 TO 1054+73
STAGE 3
NB: STA. 1049+23 TO 1058+66
SB: STA. 1048+77 TO 1058+38

F.A.I. 55 STAGES 1, 2 AND 3



TEMPORARY RAMP
TYPICAL SECTIONS

LEGEND

- 1 DRUM WITH STEADY BURNING LIGHT
- 2 PAVEMENT MARKING TAPE, TYPE III-(4 INCH), YELLOW
- 3 PAVEMENT MARKING TAPE, TYPE III-(4 INCH), WHITE
- 4 PAVEMENT MARKING TAPE, TYPE III-(5 INCH), WHITE
- 5 PAVEMENT MARKING TAPE, TYPE III-(8 INCH), WHITE
- 6 PAVEMENT MARKING TAPE, TYPE III-(12 INCH), WHITE
- 7 PAVEMENT MARKING REMOVAL (LINE)
- 8 BARRICADE OR DRUM WITH STEADY BURNING LIGHT

NOTES

- 1. RAISED PAVEMENT REFLECTOR LENS WHICH CONFLICT WITH TEMPORARY PAVEMENT MARKINGS SHALL BE REMOVED. THIS WORK SHALL BE INCLUDED IN THE COST TO THE CONTRACT UNIT PRICE FOR REPLACEMENT REFLECTORS.
- 2. TEMPORARY INSIDE AGGREGATE SHOULDERS SHALL BE PLACED PRIOR TO THE INSTALLATION OF THE VERTICAL PANELS.

REVISIONS	
NAME	DATE

STATE OF ILLINOIS
DEPARTMENT OF TRANSPORTATION
F.A.I. 80 & F.A.I. 55 INTERCHANGE
TRAFFIC CONTROL
TYPICAL SECTIONS

SCALE: N.T.S.
DATE: JANUARY, 2005

DRAWN BY: DLP
CHECKED BY: MJL