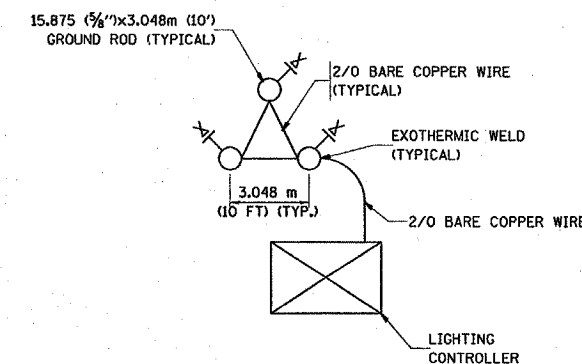
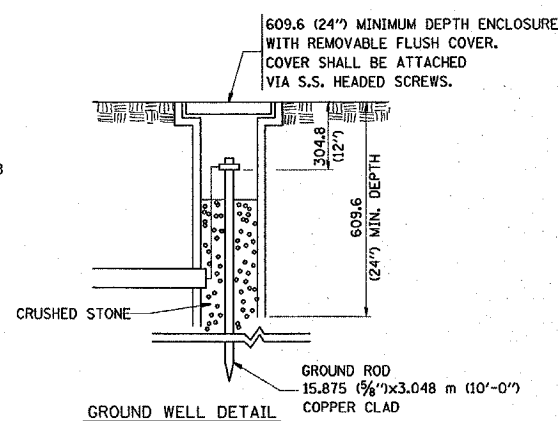
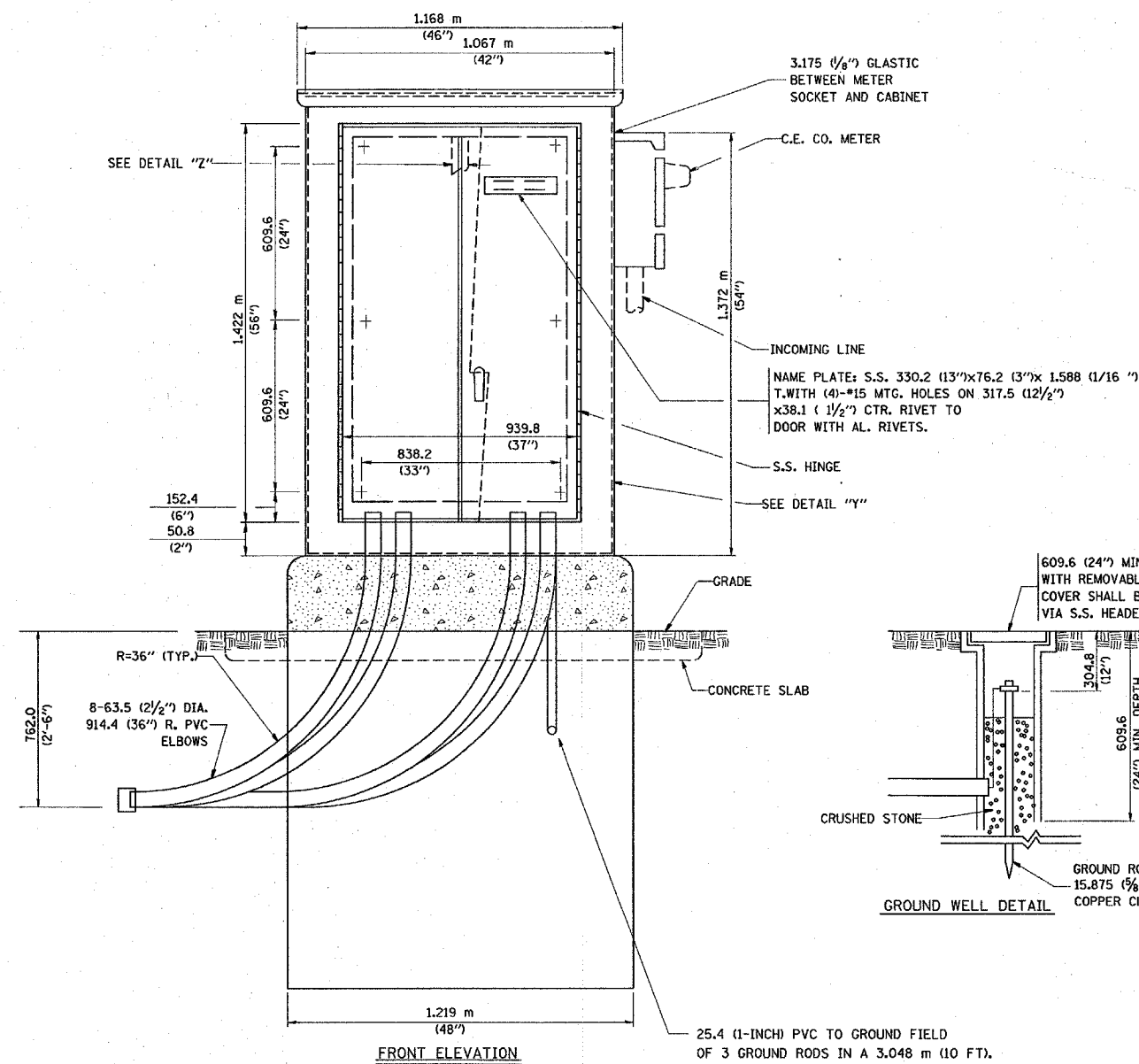
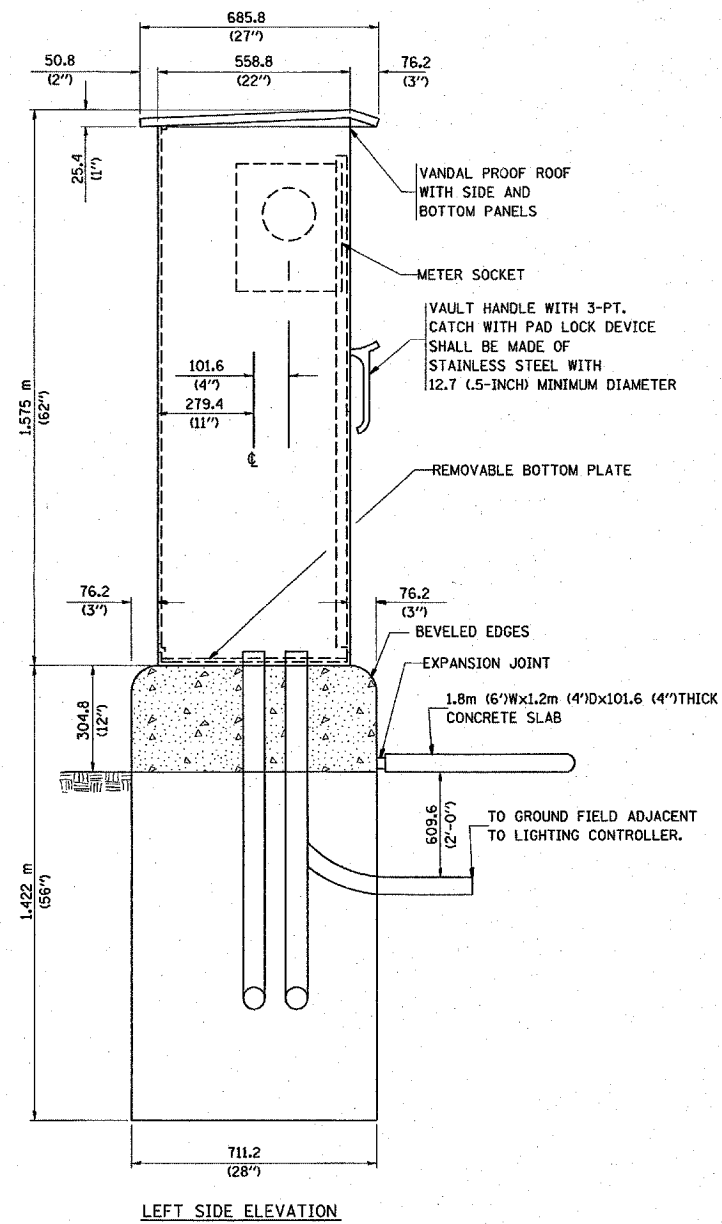
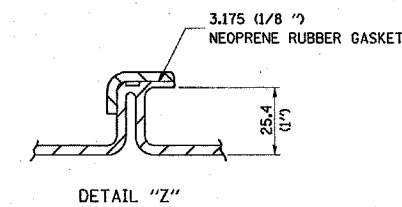
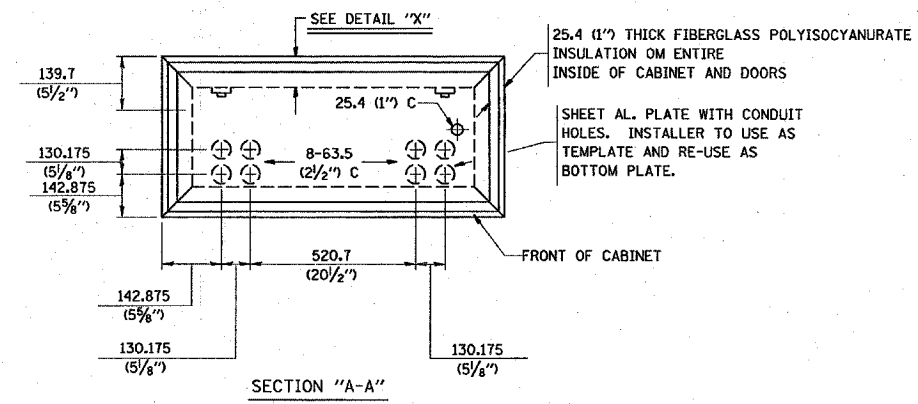
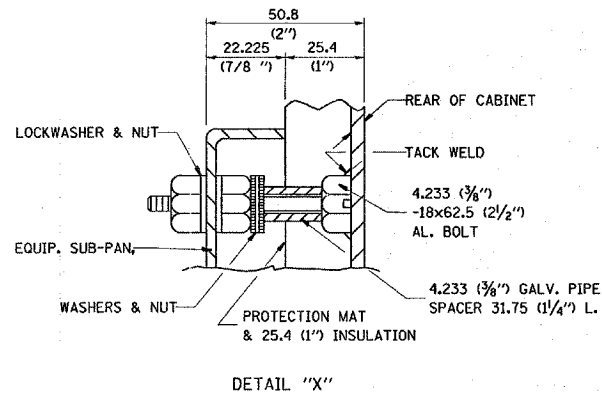
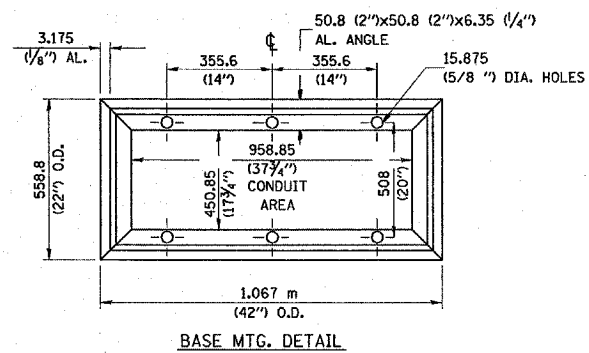
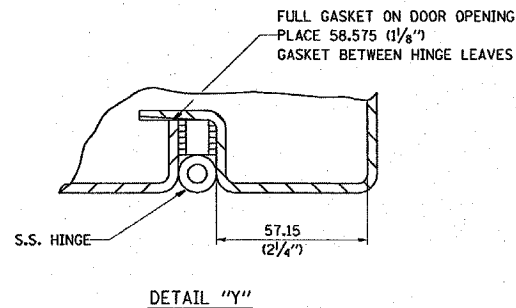


F. A. WTE.	SECTION	COUNTY	TOTAL SHEETS	SHEET NO.
8D-55	B9-1(K, BY&AC-B)	WILL	497	235
STA.		TO STA.		
FED. ROAD DIST. NO.	ILLINOIS	FED. AID PROJECT		
<b>CONTRACT NO. 80906</b>				



25.4 (1-INCH) PVC TO GROUND FIELD OF 3 GROUND RODS IN A 3.048 m (10 FT). TRIANGLE CONNECTED VIA BARE COPPER WIRE. VERIFY EXACT LOCATION OF GROUND FIELD WITH THE ENGINEER. NO GROUND WELL SHALL BE PLACED IN CONCRETE PAD IN FRONT OF CONTROLLER.

ILLINOIS DEPARTMENT OF TRANSPORTATION

LIGHTING CONTROLLER, RADIO CONTROL DUPLEX TYPE WITH SCADA

BE-205 SHT 3 OF 4

REVISIONS	
NAME	DATE
R. TOMSONS	8/04

SCALE: NONE

DATE 12/10/2004

DRAWN BY C.A.D.

CHECKED BY BE205