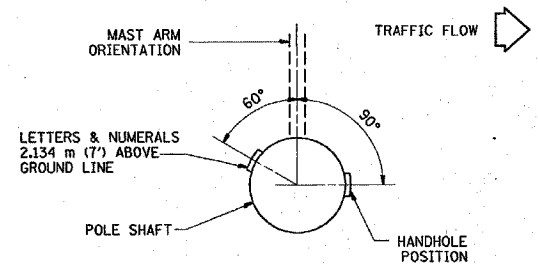
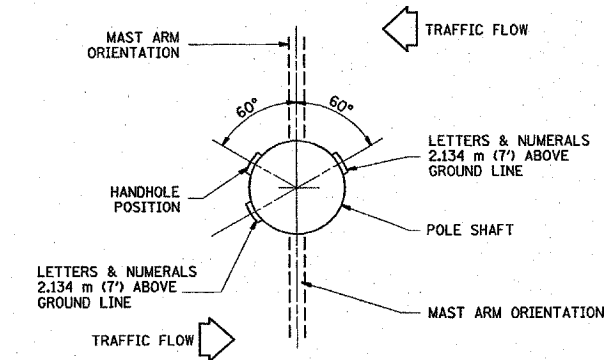


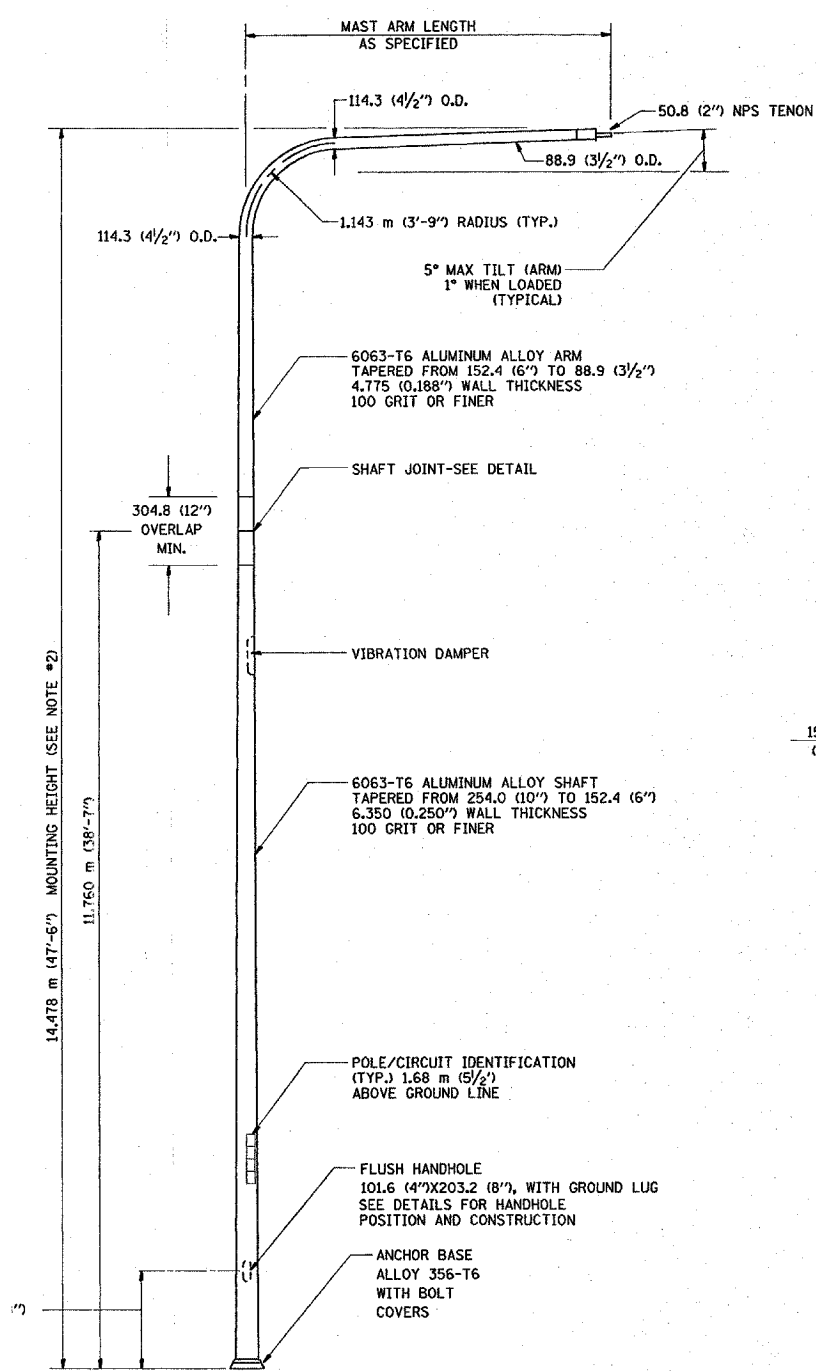
POSITION OF HANDHOLE AND POLE NUMBER FOR SINGLE MAST ARM POLES MOUNTED ON BRIDGE PARAPET OR BARRIER WALL



POSITION OF HANDHOLE AND POLE NUMBER FOR SINGLE MAST ARM POLES

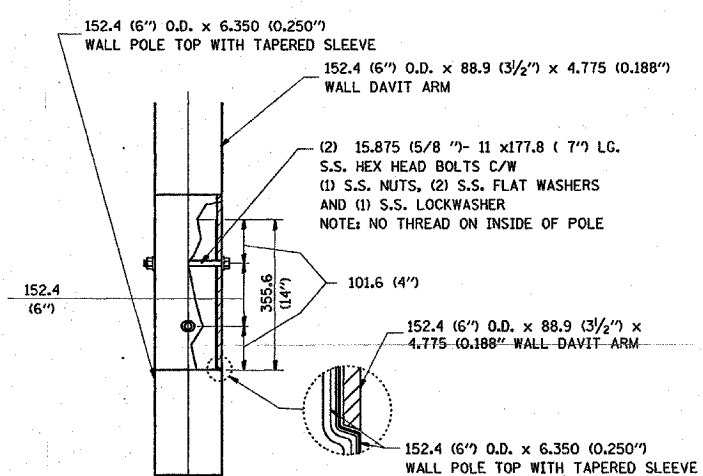


POSITION OF HANDHOLE AND POLE NUMBER FOR TWIN MAST ARM POLES

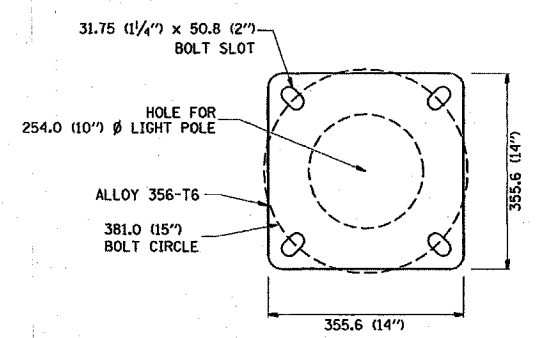


SINGLE ARM POLE

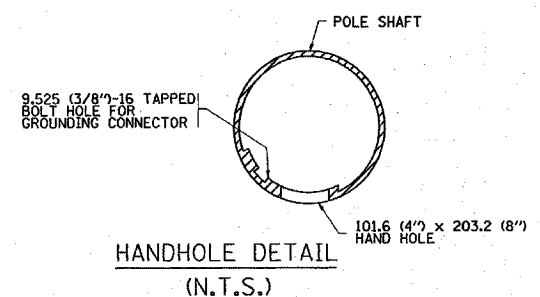
- NOTES:
1. ALL DIMENSIONS ARE IN MILLIMETERS (INCHES) UNLESS OTHERWISE SHOWN.
 2. MOUNTING HEIGHT IS DEFINED AS THE DISTANCE FROM THE CENTERLINE OF THE TENON TO THE BOTTOM OF THE ANCHOR BASE.
 3. TWO PIECE SHAFT WILL BE MATCHED MARKED AND INTERCHANGEABLE BETWEEN DIFFERENT UNITS. FIELD DRILLING OF THE HOLES WILL NOT BE ALLOWED.
 4. THE LIGHT POLE WILL MEET AASHTO DESIGN CRITERIA AS SPECIFIED.
 5. THE INSTALLING CONTRACTOR WILL PROVIDE A UL LISTED GROUNDING CONNECTOR, BURNDY K2C23, T&B SP40L OR APPROVED EQUAL.
 6. LIGHT POLES WILL NOT BE INSTALLED WITHOUT MAST ARMS AND LUMINAIRES.
 7. LIGHT POLES WILL BE SET PLUMB ON THE FOUNDATION WITHOUT THE USE OF LEVELING NUTS, WASHERS OR SHIMS.
 8. LIGHTING UNIT IDENTIFICATION NUMBERS SHALL BE INSTALLED BEFORE THE LIGHTING UNIT IS ENERGIZED.



DAVIT ARM CONNECTION
[355.6 (14'') OVERLAP SHOWN]



LIGHT POLE BASE PLATE DETAIL
(FOR POLE MOUNTED ON 381.0 (15 INCH) BOLT CIRCLE FOUNDATION)



REVISIONS	
NAME	DATE
D. DREW	4-2-92
D. DREW	5-7-92
R. TOMSONS	9-6-00
R. TOMSONS	8-12-03

ILLINOIS DEPARTMENT OF TRANSPORTATION

DAVIT LIGHT POLE
14.478 m (47' - 6'')
MOUNTING HEIGHT

SCALE: NONE
DATE: 12/10/2004

DRAWN BY: LEY
CHECKED BY:
BE-410