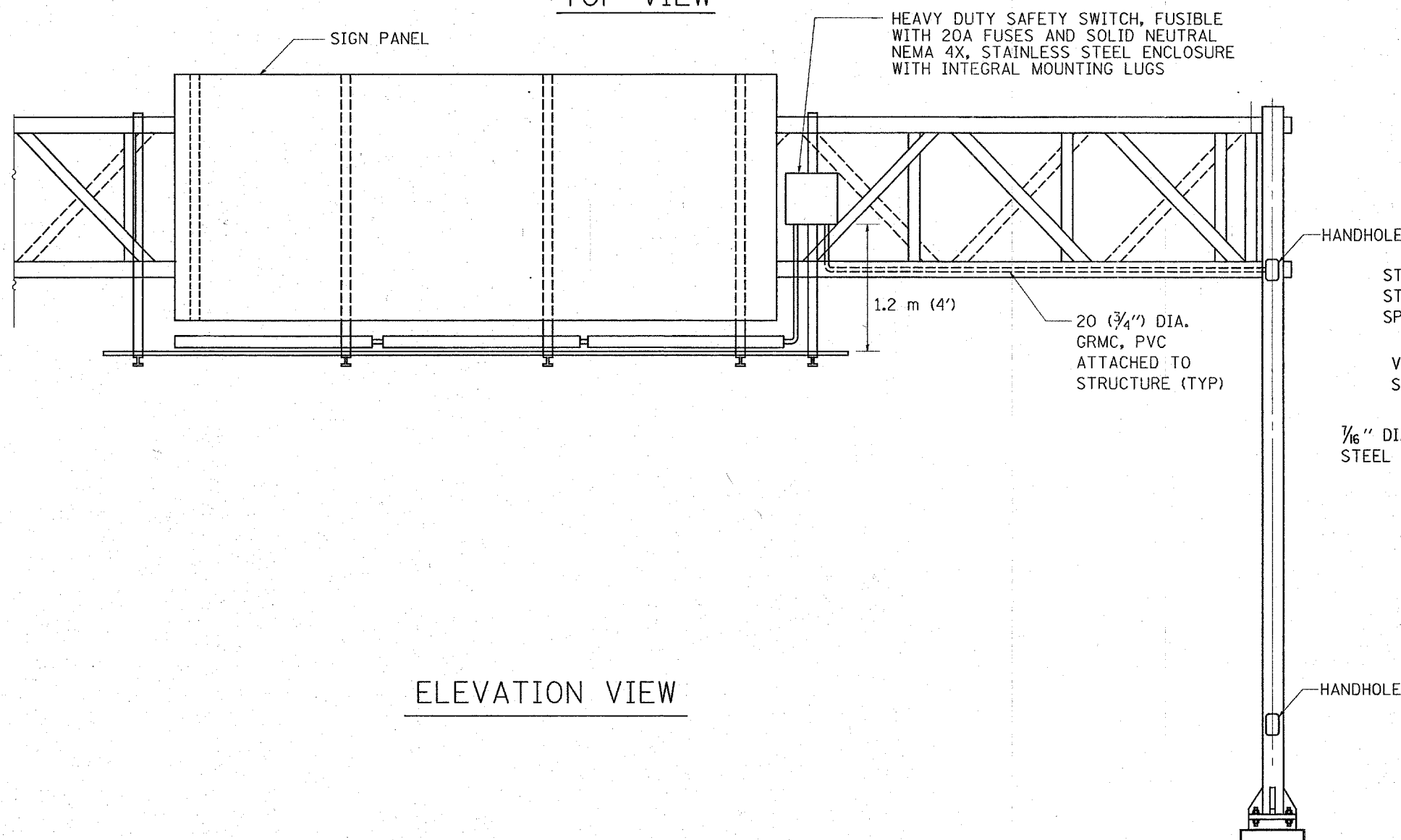
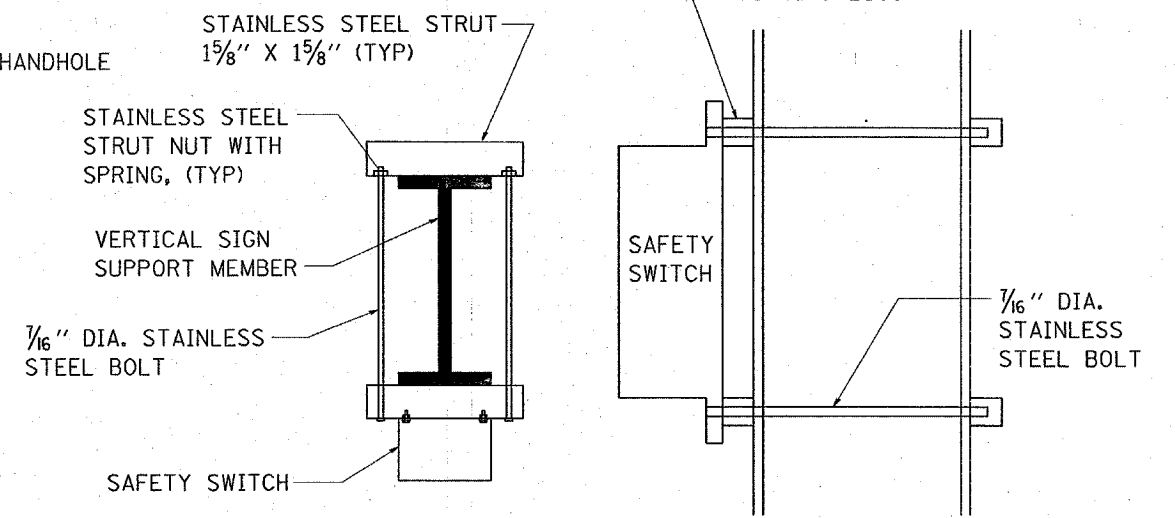
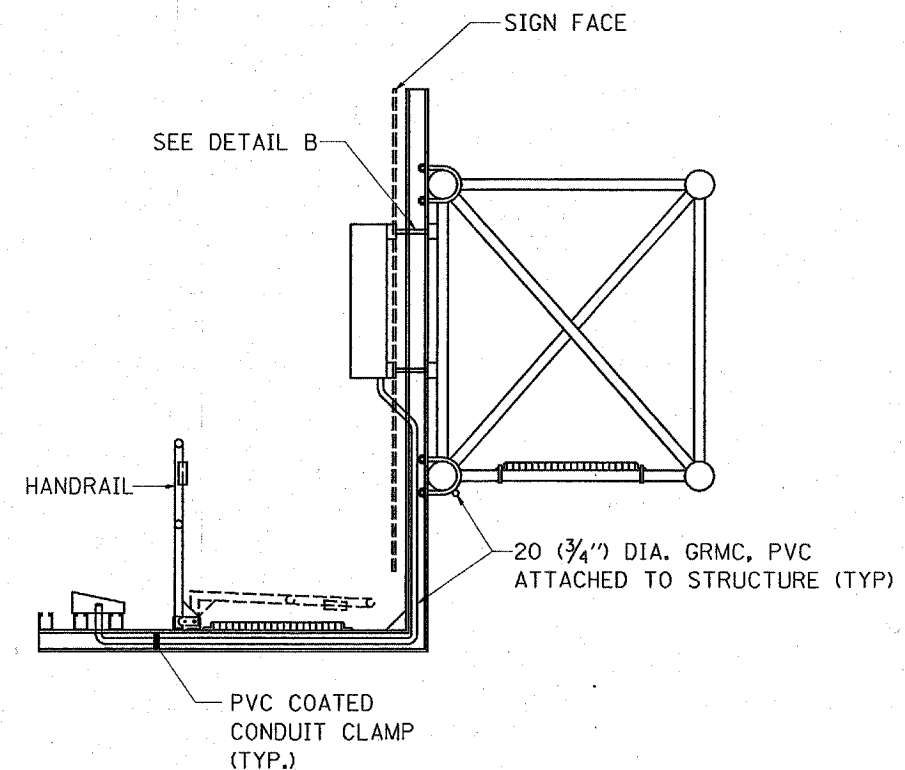


TOP VIEW



ELEVATION VIEW



TOP VIEW

SIDE VIEW

DETAIL B

REVISIONS	
NAME	DATE

ILLINOIS DEPARTMENT OF TRANSPORTATION
ELECTRIC CONNECTION TO SIGN STRUCTURE
 SPAN TYPE
 2 OF 2

SCALE: VERT. _____
 HORIZ. _____
 DATE 12/28/2004

DRAWN BY _____
 CHECKED BY _____