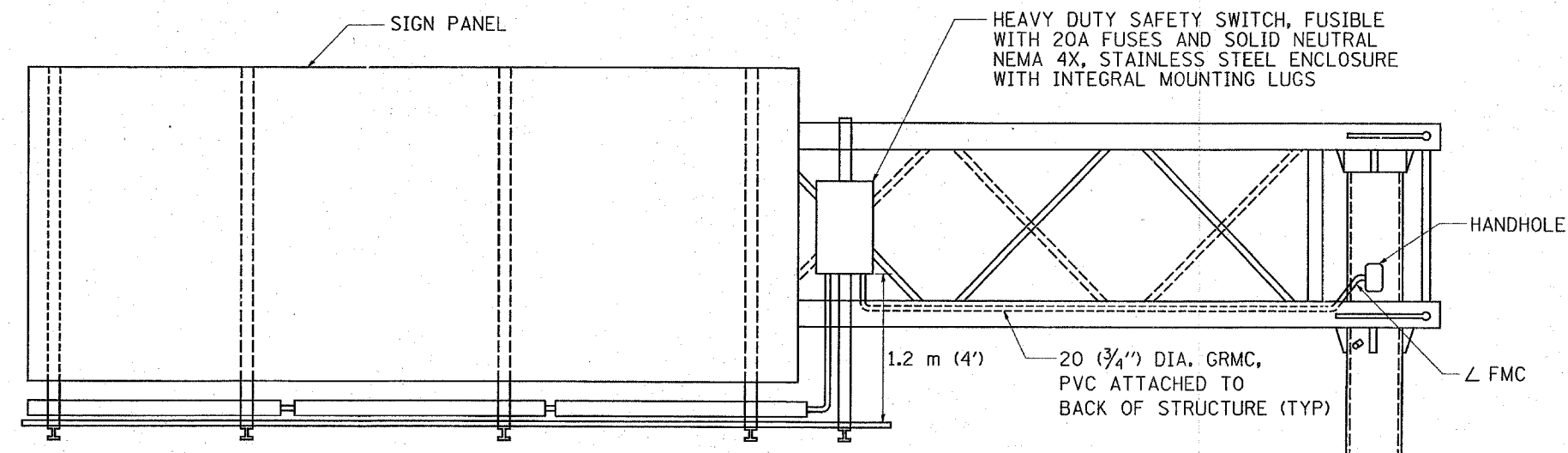
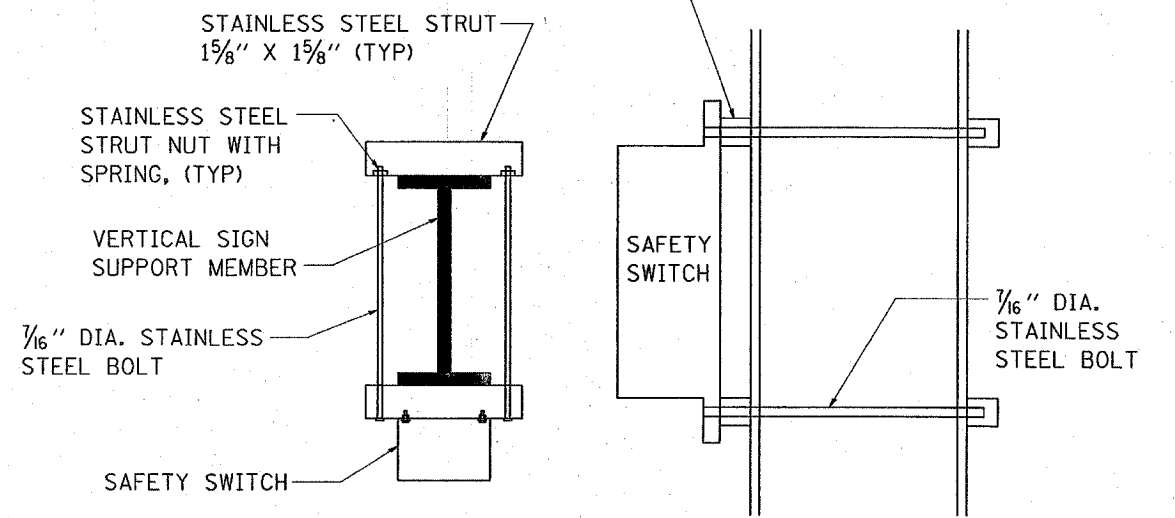
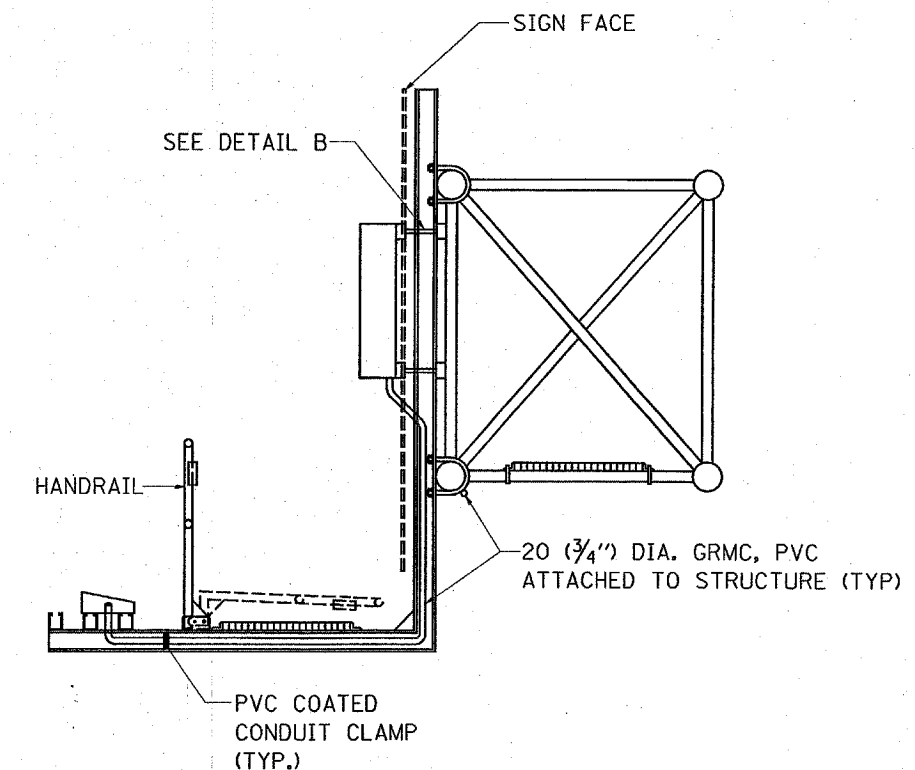


TOP VIEW



ELEVATION VIEW



TOP VIEW

SIDE VIEW

DETAIL B

REVISIONS	
NAME	DATE

ILLINOIS DEPARTMENT OF TRANSPORTATION

ELECTRIC CONNECTION TO SIGN STRUCTURE CANTILEVER TYPE

2 OF 2

SCALE: VERT. HORIZ. DATE 12/28/2004

DRAWN BY CHECKED BY BE-601